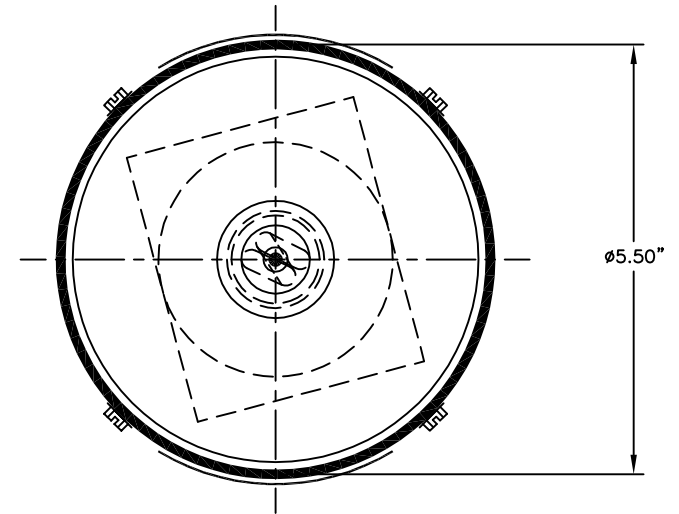
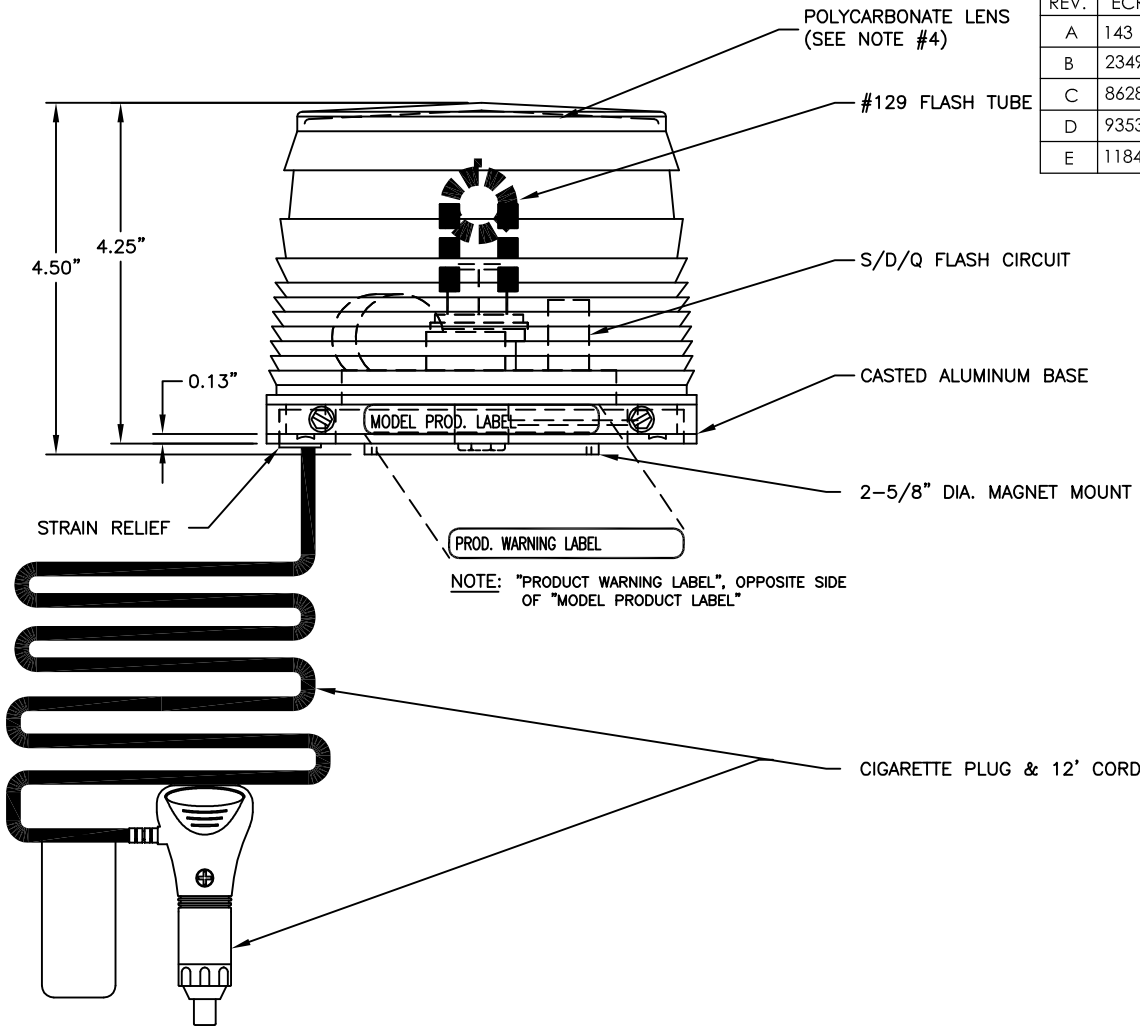


REV.	ECR	DESCRIPTION	DATE
A	143	INITIAL DRAWING REQUEST	09/27/94
B	2349	DRAWING UPDATE	08/19/98
C	8628	ADDED NEW DRAWING FORMAT, & NOTES	09/23/09
D	9353	UPDATED VIEW TO S/D/Q CIRCUIT	10/15/10
E	11845	ADDED SPECIFICATIONS, & SAE.	03/26/14



**NOTE:**

- 1) INSTRUCTION SHEET P/N PLITSTR126
- 2) PACKING INCLUDES: SCART240S
  - (1) UNIT BOX P/N PCART4000 UN
  - (1) UNIT BOX INSERT P/N PCART240INS
  - (1) 12 x 16 POLY BAG P/N P30024-12
- 3) BOX LABEL BLANK P/N PLAB64
- 4) LENS COLORS: AMBER, BLUE, CLEAR, GREEN, RED
- 5) \* = A, B, C, R (SAE J578)



Learn more about emergency and warning lighting on our website.

**SPECIFICATIONS**

Typical Input Voltage Range: 10-16 VDC  
 Typical Current Draw: 2.0 A @ 12VDC  
 Approval: S/D SAE J1318 Class 2 Amber,Blue,Clear,Red  
 Quad SAE J1318 Class 1 Blue, SAE J1318 Class2  
 Amber,Clear,Red.  
 Flash Rate: S/D/Q 100fpm/65dfpm/75qfpm respectively  
 Output Power: S/D/Q 24W/18.7W/24W respectively  
 Connections: Cig. Plug w/12' Cord  
 Mounting: 2-5/8" Dia. Magnet  
 Dimensions: (Short Dome): 4.25" tall x ø5.50".  
 Individual Shipping weight: 3.0 lbs.

UNLESS OTHERWISE SPECIFIED: DIMENSIONS ARE IN INCHES Drill Tolerances ± 0.003 Artwork and board size TOLERANCES: ANGULAR: ± 2 DEG. .X ± .100 .XX ± .020 .XXX ± .005 .XXXX ± .001	DRAWN BY: DPL	<b>STAR HEADLIGHT &amp; LANTERN CO., INC.</b>	
	DRAWING APPROVED BY ECR		
RoHS COMPLIANT: NA	THE INFORMATION CONTAINED IN THIS DRAWING IS THE SOLE PROPERTY OF STAR HEADLIGHT & LANTERN CO., INC.. ANY REPRODUCTION IN PART OR AS A WHOLE WITHOUT THE WRITTEN PERMISSION OF STAR HEADLIGHT & LANTERN CO., INC. IS STRICTLY PROHIBITED.		MODEL: 240SM-12V-* (12V/24VDC, S/D/Q FLASH)
MATERIAL: NA	TITLE: MODEL DRAWING S/D/Q STROBE WITH MAGNET MOUNT		DWG. NO. 240SM
FINISH: NA	SCALE: 1:1		DO NOT SCALE FROM DRAWING
		SHEET 1 OF 1	