

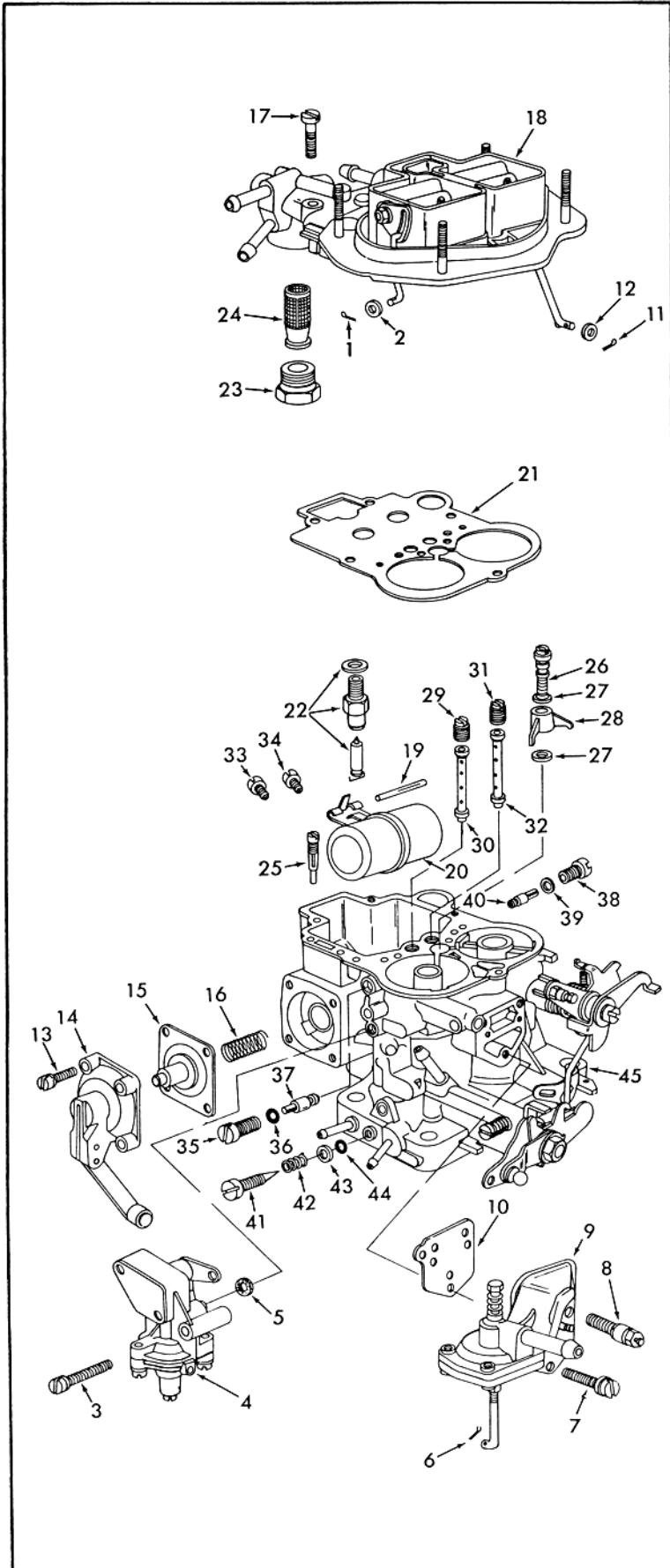
INSTRUCTION SHEET

WEBER CARBURETOR—MODEL DMSA

08050-530

GENERAL EXPLODED VIEW

THE GENERAL DESIGN AND PARTS SHOWN WILL VARY TO INDIVIDUAL UNITS COVERED ON THIS INSTRUCTION SHEET.



DISASSEMBLY

USE EXPLODED VIEW AS A GUIDE. THE NUMERICAL SEQUENCE MAY GENERALLY BE FOLLOWED TO DISASSEMBLE UNIT FAR ENOUGH TO PERMIT CLEANING AND INSPECTION. BE CAREFUL TO NOTE SIZES OF JETS AND MAIN WELL TUBES AND THEIR LOCATION FOR PROPER ASSEMBLY. (RECORD SIZES ON INSTRUCTION SHEET.) CAUTION: SCREWS AND NUTS USED IN THIS CARBURETOR HAVE METRIC THREADS. DO NOT SUBSTITUTE U.S. THREADED SCREWS OR NUTS.

NOMENCLATURE

REF. NO.	REF. NO.
1. COTTER PIN- CHOKE VALVE ROD	22. NEEDLE, SEAT & GASKET ASSY.
2. WASHER- CHOKE VALVE ROD	23. PLUG- FILTER SCREEN
3. SCREW & LOCKWASHER- CHOKE PULL OFF VALVE	24. SCREEN- FILTER
4. CHOKE PULL OFF VALVE ASSY.	25. PLUG- PUMP PASSAGE
5. SEAL- CHOKE PULL OFF VALVE	26. VALVE ASSY.- PUMP DISC.
6. COTTER PIN- FAST IDLE VALVE ROD	27. GASKET (2)- PUMP DISC. NOZZLE
7. SCREW & LOCKWASHER- FAST IDLE ASSY.	28. NOZZLE- PUMP DISC.
8. STUD & LOCKWASHER- SPRING	29. JET- PRIMARY AIR CORRECTION
9. DIAPHRAGM ASSY.- FAST IDLE	30. TUBE- PRIMARY EMULSION
10. GASKET- DIAPHRAGM ASSY.	31. JET- SECONDARY AIR CORRECTION
11. COTTER PIN- CHOKE ROD	32. TUBE- SECONDARY EMULSION
12. WASHER- CHOKE ROD	33. JET- PRIMARY MAIN
13. SCREW & LOCKWASHER- PUMP COVER	34. JET- SECONDARY MAIN
14. PUMP COVER & LEVER ASSY.	35. JET HOLDER- PRIMARY IDLE
15. DIAPHRAGM ASSY.- PUMP	36. SEAL- PRIMARY JET HOLDER
16. SPRING- PUMP DIAPHRAGM RETURN	37. JET- PRIMARY IDLE
17. SCREW & LOCKWASHER- BOWL COVER	38. JET HOLDER- SECONDARY IDLE
18. BOWL COVER ASSY.	39. SEAL- SECONDARY JET HOLDER
19. PIN- FLOAT HINGE	40. JET- SECONDARY IDLE
20. FLOAT ASSEMBLY.	41. NEEDLE- IDLE ADJUSTING
21. GASKET- BOWL COVER	42. SPRING- IDLE ADJ. NEEDLE
	43. WASHER- SEAL
	44. SEAL- IDLE ADJ. NEEDLE
	45. MAIN BODY ASSY.

CLEANING

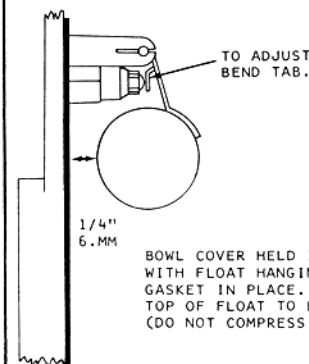
CLEANING MUST BE DONE WITH CARBURETOR DISASSEMBLED. SOAK PARTS LONG ENOUGH TO SOFTEN AND REMOVE ALL FOREIGN MATERIAL. USE A CARBURETOR CLEANING SOLVENT. MAKE CERTAIN THE THROTTLE BORES ARE FREE OF ALL CARBON AND VARNISH DEPOSITS. RINSE OFF IN SUITABLE SOLVENT. BLOW OUT ALL PASSAGES IN CASTINGS WITH COMPRESSED AIR AND CHECK CAREFULLY TO INSURE THOROUGH CLEANING OF OBSCURE AREAS. CAUTION: DO NOT SOAK ANY PARTS CONTAINING RUBBER OR DIAPHRAGM ASSEMBLYS IN CLEANING SOLVENTS.

REASSEMBLY

REASSEMBLE IN REVERSE ORDER OF DISASSEMBLY. NOTE SPECIAL INSTRUCTIONS AND ADJUSTMENTS.

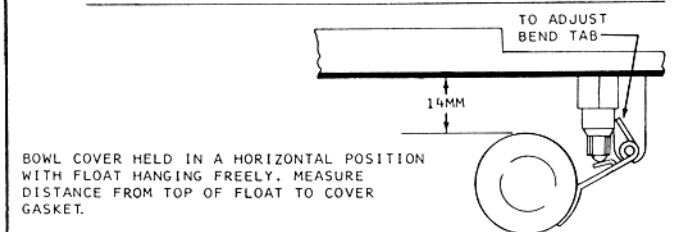
SPECIAL INSTRUCTIONS

IDLE ADJUSTING NEEDLE (41)- TURN IN UNTIL SEATED, THEN BACK OUT 1 1/2 TURNS



BOWL COVER HELD IN VERTICAL POSITION WITH FLOAT HANGING DOWN AND BOWL COVER GASKET IN PLACE. MEASURE DISTANCE FROM TOP OF FLOAT TO BOWL COVER GASKET. (DO NOT COMPRESS SPRING LOADED NEEDLE)

DRY FLOAT LEVEL ADJUSTMENT



BOWL COVER HELD IN A HORIZONTAL POSITION WITH FLOAT HANGING FREELY. MEASURE DISTANCE FROM TOP OF FLOAT TO COVER GASKET.

14. MM
9/16"

FLOAT DROP ADJUSTMENT