

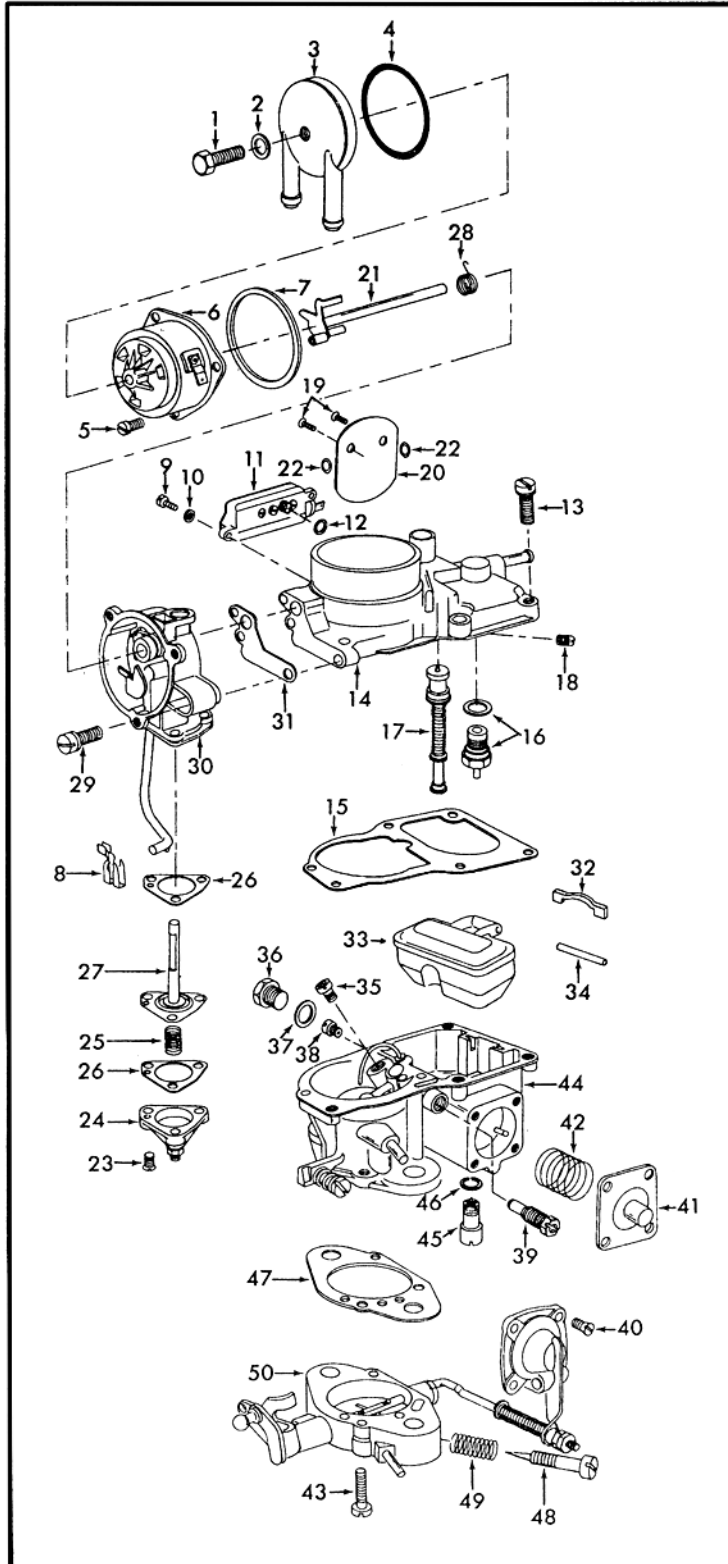
INSTRUCTION SHEET

SOLEX CARBURETOR — MODEL 36-40 PDSI, PDSIT

08050-489

GENERAL EXPLODED VIEW

THE GENERAL DESIGN AND PARTS SHOWN WILL VARY TO
INDIVIDUAL UNITS COVERED ON THIS INSTRUCTION SHEET



DISASSEMBLY

USE EXPLODED VIEW AS A GUIDE. THE NUMERICAL SEQUENCE MAY GENERALLY BE FOLLOWED TO DISASSEMBLE UNIT FAR ENOUGH TO PERMIT CLEANING AND INSPECTION. CAUTION: BRASS TUBE TYPE JETS ARE NOT REMOVABLE. REMOVE STAKING FROM BOWL COVER FOR EASY REMOVAL OF POWER PISTON ASSY. (17). AUTOMATIC CHOKE CARBURETORS, BEFORE REMOVING CHOKE PLATE SCREWS (19) FILE OFF PEENED END FOR EASY REMOVAL, (TO BE USED OVER.) BE CAREFUL IN REMOVAL OF CHOKE DIAPHRAGM ASSEMBLY (27) AS IT WILL BE USED OVER.

NOMENCLATURE

REF. NO.	REF. NO.
1. SCREW - CHOKE WATER HOUSING	26. GASKET (2) - DIAPHRAGM
2. GASKET - HOUSING SCREW	27. DIAPHRAGM & STEM ASSY.
3. HOUSING - CHOKE WATER	28. SPRING - FAST IDLE CAM
4. O-RING - WATER HOUSING	29. SCREW & LOCKWASHER (2) - CHOKE HOUSING
5. SCREW (3) - RETAINING RING	30. CHOKE HOUSING & CAM ASSY.
6. CHOKE COVER & RETAINING RING ASSY.	31. GASKET - CHOKE HOUSING
7. GASKET - CHOKE COVER	32. RETAINER - FLOAT PIN
8. RETAINER - FAST IDLE ROD	33. FLOAT ASSY.
9. SCREW & LOCKWASHER (2) - THERMAL VALVE	34. PIN - FLOAT
10. SPRING WASHER - VALVE SCREW	35. JET - AIR CORRECTION
11. THERMAL STARTING VALVE	36. PLUG - MAIN JET
12. GASKET - THERMAL VALVE	37. GASKET - PLUG
13. SCREW & LOCKWASHER (5) - BOWL COVER	38. JET - MAIN
14. BOWL COVER ASSY.	39. JET - IDLE
15. GASKET - BOWL COVER	40. SCREW (4) - PUMP COVER
16. NEEDLE, SEAT & GASKET ASSY.	41. PUMP DIAPHRAGM ASSY.
17. POWER PISTON ASSY.	42. SPRING - DIAPHRAGM RETURN
18. JET - IDLE AIR BLEED	43. SCREW (2) - THROTTLE BODY
19. SCREW (2) - CHOKE PLATE	44. FLOAT BOWL ASSY.
20. CHOKE PLATE	45. VALVE - POWER
21. CHOKE SHAFT	46. GASKET - POWER VALVE
22. SHIM WASHER (2) - CHOKE PLATE	47. GASKET - THROTTLE BODY
23. SCREW (3) - DIAPHRAGM COVER	48. NEEDLE - IDLE ADJUSTING
24. COVER - CHOKE DIAPHRAGM	49. SPRING - IDLE NEEDLE
25. SPRING - DIAPHRAGM RETURN	50. THROTTLE BODY & PUMP COVER ASSY.

CLEANING

CLEANING MUST BE DONE WITH CARBURETOR DISASSEMBLED. SOAK PARTS LONG ENOUGH TO SOFTEN AND REMOVE ALL FOREIGN MATERIAL. USE A CARBURETOR CLEANING SOLVENT. MAKE CERTAIN THE THROTTLE BODY IS FREE OF ALL HARD CARBON DEPOSITS. WASH OFF IN SUITABLE SOLVENT BLOW OUT ALL PASSAGES IN CASTINGS WITH COMPRESSED AIR AND CHECK CAREFULLY TO INSURE THOROUGH CLEANING OF OBSCURE AREAS. CAUTION: DO NOT SOAK CHOKE COVER (6) THERMAL STARTING VALVE (11), FLOAT (33) OR DIAPHRAGM ASSYS. IN CLEANING SOLVENTS.

REASSEMBLY

REASSEMBLE IN REVERSE ORDER OF DISASSEMBLY. NOTE SPECIAL INSTRUCTIONS.

SPECIAL INSTRUCTIONS

WHEN INSTALLING IDLE MIXTURE ADJUSTING NEEDLE (48) - LIGHTLY BOTTOM THEN BACK OUT 1 TURN.

POWER PISTON (17) - AFTER INSTALLATION LIGHTLY RESTAKE CASTING AROUND WASHER.

WHEN INSTALLING CHOKE COVER (6) SET MARK ON COVER TO LINE UP WITH MARK ON CHOKE HOUSING.

SLOW IDLE ADJUST AFTER ENGINE HAS REACHED NORMAL OPERATING TEMPERATURE. NOTE: CORRECT IGNITION TIMING AND VALVE CLEARANCE ARE ESSENTIAL. ADJUST IDLE SPEED TO 800 R.P.M. WITH IDLE SPEED SCREW. ADJUST IDLE MIXTURE NEEDLE TO OBTAIN SMOOTH IDLE

FAST IDLE ADJUSTMENT. SET TO 2100 R.P.M. CAN BE ADJUSTED BY CHANGING LENGTH OF CHOKE CONNECTING ROD.