

INSTRUCTION SHEET

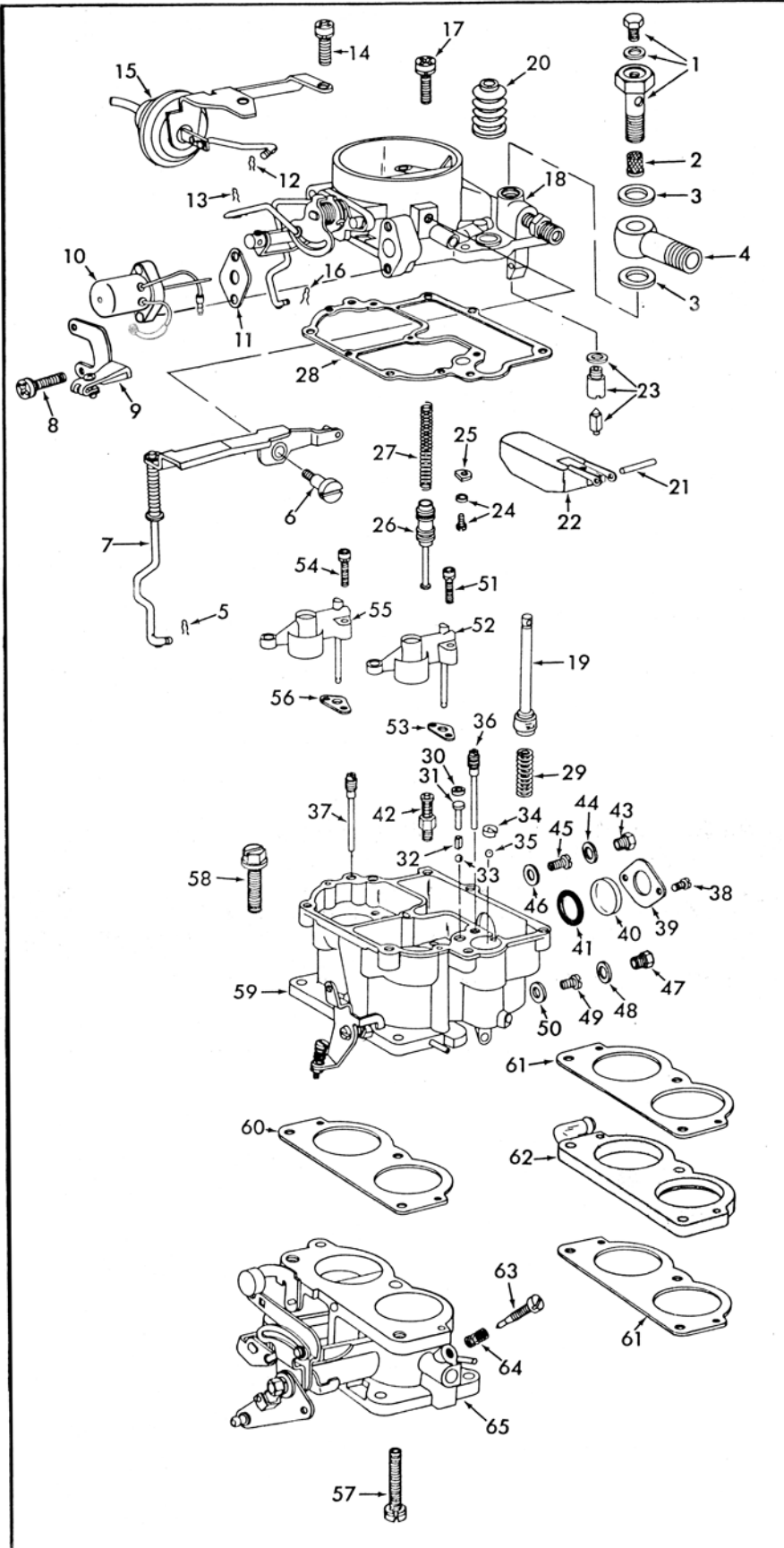
AISAN CARBURETOR

F. ENGINE

08050-533

GENERAL EXPLODED VIEW

THE GENERAL DESIGN AND PARTS SHOWN WILL VARY TO INDIVIDUAL UNITS COVERED ON THIS INSTRUCTION SHEET.



DISASSEMBLY

USE EXPLODED VIEW AS A GUIDE. THE NUMERICAL SEQUENCE MAY GENERALLY BE FOLLOWED TO DISASSEMBLE UNIT FAR ENOUGH TO PERMIT CLEANING AND INSPECTION. MODELS USING INSULATOR BLOCK (62) IT WILL BE NECESSARY TO CAREFULLY SCRAPE OFF OLD GASKETS FROM BLOCK BEFORE REASSEMBLING WITH NEW GASKETS. RECORD JET SIZES FOR PROPER REASSEMBLY.

NOMENCLATURE

REF. NO.	REF. NO.
1. BOLT ASSY.- BANJO FITTING	33. BALL (LARGE)- PUMP DISC.
2. SCREEN- FUEL FILTER	34. RETAINER- INTAKE BALL
3. GASKET (2)- BANJO FITTING	35. BALL (SMALL)- PUMP INTAKE
4. BANJO FITTING	36. JET- PRIMARY BLEED
5. RETAINER- PUMP ROD	37. JET- SECONDARY BLEED
6. BOLT- PUMP LEVER	38. SCREW (2)- WINDOW RETAINER
7. PUMP LEVER & ROD ASSY.	39. RETAINER- WINDOW
8. SCREW & LOCKWASHER (2)- SOLENOID	40. WINDOW- FUEL BOWL
9. BRACKET- CHOKE CABLE	41. GASKET- WINDOW
10. SOLENOID ASSY.- FUEL SHUT OFF	42. POWER VALVE ASSY.
11. GASKET- SOLENOID	43. PLUG- SEC. JET
12. RETAINER- THROTTLE POSITIONER LINK	44. GASKET- PLUG
13. RETAINER- CHOKE PULL OFF LINK	45. JET- SEC. MAIN (CROME)
14. SCREW & LOCKWASHER (2)- CHOKE PULL OFF ASSY.	46. GASKET- SEC. JET
15. CHOKE PULL OFF ASSY.	47. PLUG- PRI. JET
16. RETAINER (LOWER)- FAST IDLE ROD	48. GASKET- PLUG
17. SCREW & LOCKWASHER (5)- BOWL COVER	49. JET- PRI. MAIN (BRASS)
18. BOWL COVER ASSY.	50. GASKET- PRI. JET
19. PUMP PLUNGER ASSY.	51. SCREW & LOCKWASHER (2)- PRI. VENTURI
20. BOOT- PUMP	52. VENTURI- PRIMARY
21. PIN- FLOAT LEVER	53. GASKET- PRI. VENTURI
22. FLOAT & LEVER ASSY.	54. SCREW & LOCKWASHER (2)- SEC. VENTURI
23. NEEDLE, SEAT & GASKET ASSY.	55. VENTURI- SECONDARY
24. SCREW & LOCKWASHER- PISTON RETAINER	56. GASKET- SEC. VENTURI
25. RETAINER- PISTON	57. SCREW & LOCKWASHER- THROTTLE BODY TO BOWL
26. PISTON- POWER VALVE	58. SCREW & LOCKWASHER (2)- BOWL TO THROTTLE BODY
27. SPRING- POWER PISTON	59. BOWL ASSY.
28. GASKET- BOWL COVER	60. GASKET (1)- THROTTLE BODY (MODELS WITHOUT BLOCK)
29. SPRING- PUMP RETURN	61. GASKET (2)- INSULATOR BLOCK (SOME MODELS)
30. GASKET- STOPPER	62. INSULATOR BLOCK (SOME MODELS)
31. STOPPER- PUMP PASSAGE	63. NEEDLE- IDLE ADJUSTING
32. WEIGHT- DISC. BALL	64. SPRING- IDLE ADJ. NEEDLE
	65. THROTTLE BODY ASSY.

CLEANING

CLEANING MUST BE DONE WITH CARBURETOR DISASSEMBLED. USE A CARBURETOR CLEANING SOLVENT. SOAK PARTS LONG ENOUGH TO SOFTEN AND REMOVE ALL FOREIGN MATERIAL. MAKE CERTAIN THE THROTTLE BORES ARE FREE OF ALL CARBON DEPOSITS. WASH OFF IN SUITABLE SOLVENT. BLOW OUT ALL PASSAGES IN CASTINGS WITH COMPRESSED AIR AND CHECK CAREFULLY TO INSURE THOROUGH CLEANING OF OBSCURE AREAS. CAUTION: DO NOT SOAK RUBBER PARTS, SOLENOIDS, DIAPHRAGM ASSY'S OR FLOAT IN CLEANING SOLVENTS

REASSEMBLY

REASSEMBLE IN REVERSE ORDER OF DISASSEMBLY. NOTE SPECIAL INSTRUCTIONS AND ADJUSTMENTS.

SPECIAL INSTRUCTIONS

IDLE ADJUSTING NEEDLE (63)- TURN NEEDLE IN UNTIL LIGHTLY SEATED, THEN BACK OUT 2 TURNS.

PUMP PLUNGER (19)- REMOVE PAPER SLEEVE FROM LEATHER CUP, FLEX LEATHER OUTWARD SLIGHTLY. SOAK CUP IN LIGHT OIL A FEW MINUTES PRIOR TO PLACING IN CARBURETOR.

WINDOW (40)- INSTALL WITH DOT TO THE INSIDE OF FUEL BOWL.

THROTTLE BODY GASKET (60)- WHERE INSULATOR BLOCK IS NOT USED ONLY ONE GASKET IS NEEDED.

ADJUSTMENTS

