

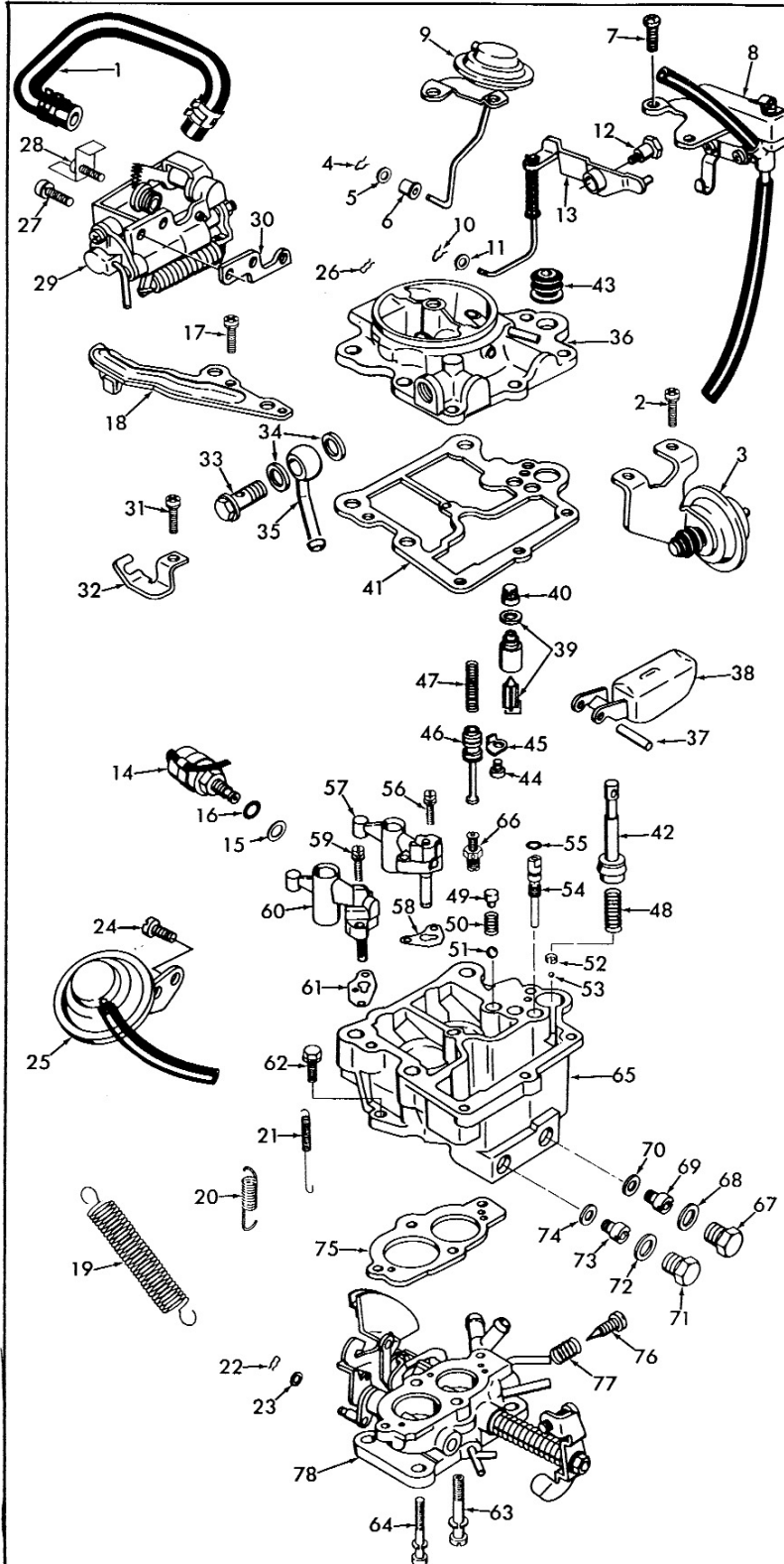
INSTRUCTION SHEET

OFF VEHICLE CARBURETOR SERVICE

AISAN 2 BARREL

(SPRINT 3 CYL. CANADA)

GENERAL EXPLODED VIEW
THE GENERAL DESIGN AND PARTS SHOWN WILL VARY TO
INDIVIDUAL UNITS COVERED ON THIS INSTRUCTION SHEET



DISASSEMBLY

USE EXPLODED VIEW AS A GUIDE. THE NUMERICAL SEQUENCE MAY GENERALLY BE FOLLOWED TO DISASSEMBLE UNIT FAR ENOUGH TO PERMIT CLEANING AND INSPECTION. NOTE: AFTER REMOVING SCREW & LOCKWASHER (27), RAISE BRACKET JUST FAR ENOUGH TO GET TO SCREW & LOCKWASHER (28). DO NOT DISENGAGE PINION GEAR ASSY.

NOMENCLATURE

REF. NO.	REF. NO.
1. WATER HOSE & CLAMPS - CHOKE	39. NEEDLE & SEAT ASSEMBLY
2. SCREW & LOCKWASHER (2) - DASHPOT BRACKET	40. SCREEN - FUEL FITLER
3. DASHPOT & BRACKET ASSY.	41. GASKET - BOWL COVER
4. RETAINER - ROD	42. PUMP PLUNGER ASSY.
5. WASHER - ROD	43. BOOT - PUMP PLUNGER
6. BUSHING - ROD	44. SCREW & LOCKWASHER - PISTON RETAINER
7. SCREW & LOCKWASHER - BRACKET	45. RETAINER - PISTON
8. VALVE & HOSE ASSY. - IDLE BY PASS	46. PISTON - POWER VALVE
9. DIAPHRAGM & BRACKET ASSY. - THROTTLE CONTROL	47. SPRING - POWER PISTON
10. RETAINER - PUMP ROD	48. SPRING - PUMP RETURN
11. WASHER - PUMP ROD	49. WEIGHT - PUMP DISCHARGE SPRING
12. SCREW - PUMP LEVER	50. SPRING - PUMP DISCHARGE BALL
13. PUMP LEVER & ROD ASSY.	51. BALL - PUMP DISCHARGE CHECK (LARGE)
14. SOLENOID ASSY. - PRI. IDLE CUT OFF	52. RETAINER - INTAKE CHECK BALL
15. GASKET - SOLENOID	53. BALL - INTAKE CHECK (SMALL)
16. O-RING - SOLENOID	54. JET - IDLE
17. SCREW & LOCKWASHER - BRACKET	55. O-RING - IDLE JET
18. BRACKET - CABLE	56. SCREW & LOCKWASHER (2) - PRI. VENTURI
19. SPRING - THROTTLE RETURN	57. PRIMARY VENTURI ASSY.
20. SPRING - SECONDARY RETURN	58. GASKET - PRI. VENTURI
21. SPRING - FAST IDLE LEVER	59. SCREW & LOCKWASHER (2) - SEC. VENTURI
22. RETAINER - SEC. DIAPHRAGM ROD	60. SECONDARY VENTURI ASSY.
23. WASHER - SEC. DIAPHRAGM ROD	61. GASKET - SEC. VENTURI
24. SCREW & LOCKWASHER (2) - SEC. DIAPHRAGM	62. SCREW & LOCKWASHER (2) - THROTTLE BODY
25. SECONDARY DIAPHRAGM & HOSE ASSY.	63. SCREW & LOCKWASHER (HOLLOW) - THROTTLE BODY UNIT
26. RETAINER - CHOKE ROD (UPPER)	64. SCREW & LOCKWASHER (1) - THROTTLE BODY
27. SCREW & LOCKWASHER - CHOKE UNIT	65. FLOAT BOWL ASSY.
28. SCREW & LOCKWASHER W/STOP - CHOKE & PINION ASSY.	66. POWER VALVE ASSY.
29. CHOKE & PINION ASSY. W/CHOKE PULLOFF	67. PLUG - PRI. MAIN JET
30. INSULATOR - CHOKE UNIT	68. GASKET - PLUG
31. SCREW & LOCKWASHER - BRACKET	69. JET - PRI. MAIN (BRASS)
32. BRACKET - FUEL INLET	70. GASKET - PRI. MAIN JET
33. BOLT - FUEL INLET FITTING	71. PLUG - SEC. MAIN JET
34. GASKET (2) FUEL INLET FITTING	72. GASKET - PLUG
35. FITTING - FUEL INLET	73. JET - SEC. MAIN (CHROME)
36. BOWL COVER ASSY.	74. GASKET - SEC. MAIN JET
37. PIN - FLOAT	75. GASKET - THROTTLE BODY
38. FLOAT ASSEMBLY	76. NEEDLE - IDLE ADJUSTING
	77. SPRING - IDLE ADJ. NEEDLE
	78. THROTTLE BODY ASSEMBLY

CLEANING

CLEANING MUST BE DONE WITH CARBURETOR DISASSEMBLED. USE A CARBURETOR CLEANING SOLVENT. SOAK PARTS LONG ENOUGH TO SOFTEN AND REMOVE ALL FOREIGN MATERIAL. MAKE CERTAIN THE THROTTLE BORES ARE FREE OF ALL CARBON DEPOSITS. WASH OFF IN SUITABLE SOLVENT. BLOW OUT ALL PASSAGES IN CASTINGS WITH COMPRESSED AIR AND CHECK CAREFULLY TO INSURE THOROUGH CLEANING OF OBSCURE AREAS. DO NOT SOAK DIAPHRAGM ASSEMBLIES, FLOAT, SOLENOIDS, CHOKE UNIT (29) VALVE ASSY. (8) OR PARTS CONTAINING RUBBER MATERIALS IN ANY TYPE OF CLEANING SOLVENT.

REASSEMBLY

REASSEMBLE IN REVERSE ORDER OF DISASSEMBLY. NOTE SPECIAL INSTRUCTIONS AND ADJUSTMENTS.

SPECIAL INSTRUCTIONS

THROTTLE BODY SCREW & LOCKWASHER (HOLLOW) (63) - BE SURE TO INSTALL IN PROPER HOLE. (VACUUM PASSAGE FOR POWER VALVE PISTON.)

ADJUSTMENTS

