

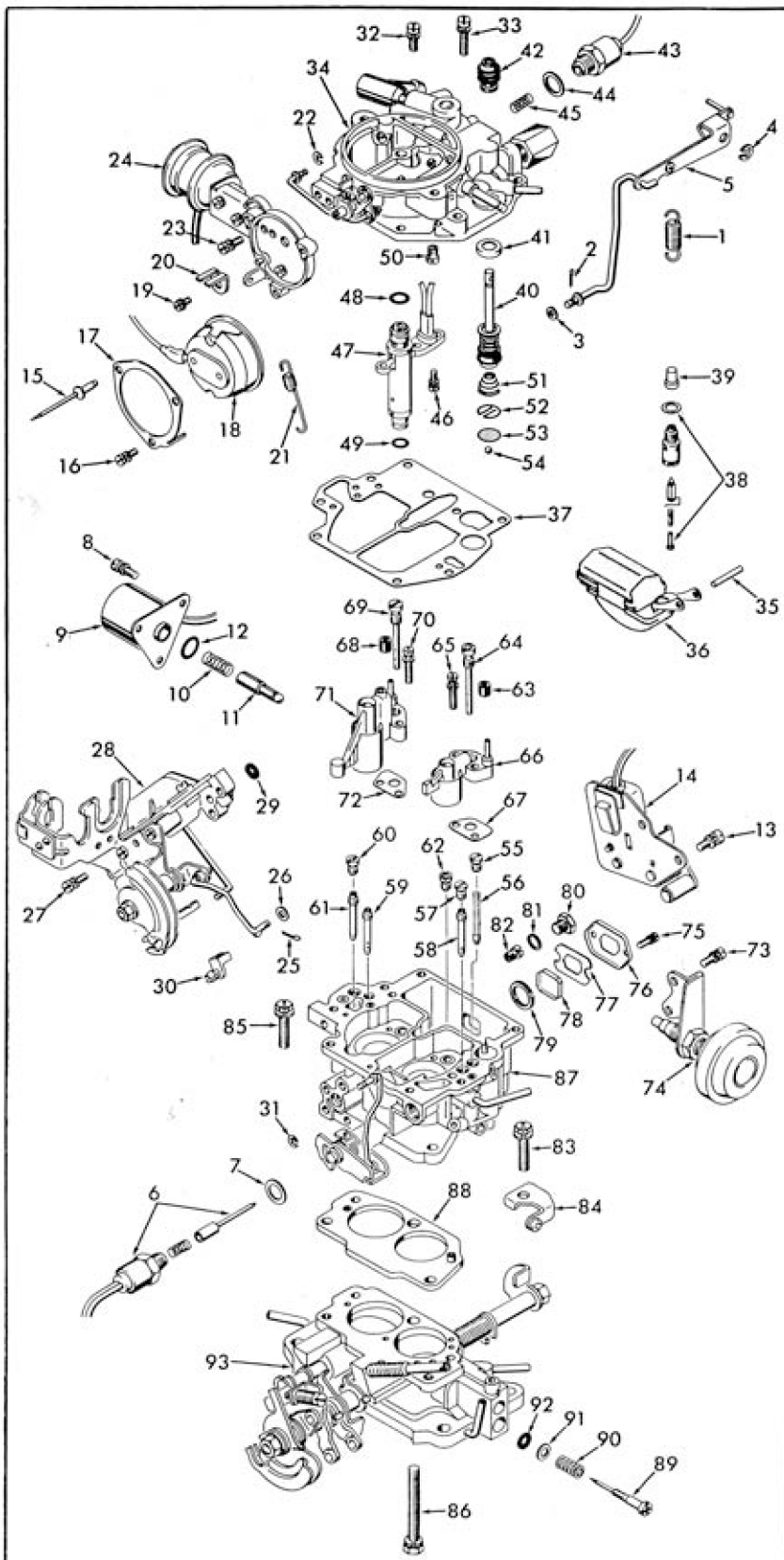
# INSTRUCTION SHEET

## OFF VEHICLE CARBURETOR SERVICE

### NIKKI 2-BBL. (MAZDA 626/B2200)

GF10509

**GENERAL EXPLODED VIEW**  
THE GENERAL DESIGN AND PARTS SHOWN WILL VARY TO INDIVIDUAL UNITS COVERED ON THIS INSTRUCTION SHEET.



#### DISASSEMBLY

USE THE EXPLODED VIEW AS A GUIDE. THE NUMERICAL SEQUENCE MAY GENERALLY BE FOLLOWED TO DISASSEMBLE UNIT FAR ENOUGH TO PERMIT CLEANING AND INSPECTION. WHEN NECESSARY REMOVE WIRES FROM CARBURETOR HARNESS CONNECTOR USING PROPER TOOL AND IDENTIFY WIRE LOCATION FOR PROPER REASSEMBLY. DRILL OR CUT OFF POP RIVET HEADS TO REMOVE CHOKE COVER. BOWL VENT PLUNGER IS NOT REMOVABLE. NOTE SIZE OF PLUNGER SPRING AS IT DIFFERS FROM IDLE SHUT OFF PLUNGER SPRING. NOTE SIZES OF ALL JETS AND THEIR LOCATION FOR PROPER REASSEMBLY. RECORD SIZE BELOW. TO REMOVE IDLE ADJUSTING NEEDLE, FIRST DRIVE SPRING PIN FROM THE BOTTOM SIDE UNTIL IT CLEARS ADJUSTING NEEDLE HOLE. BEFORE REMOVING IDLE NEEDLE, TURN IN COUNTING THE NUMBER OF TURNS IT TAKES TO LIGHTLY SEAT NEEDLE. RECORD FOR REASSEMBLY.

#### NOMENCLATURE

REF. NO.	REF. NO.
1. SPRING-PUMP LEVER RETURN	44. GASKET-SOLENOID
2. COTTER PIN-PUMP ROD	45. SPRING-BOWL VENT PLUNGER
3. WASHER-PUMP ROD	46. SCREW & LKWSHR. (3)-A/F SOLENOID
4. RETAINER-PUMP LEVER	47. SOLENOID ASSY.-AIR FUEL RATIO
5. PUMP LEVER & ROD ASSY.	48. "O"-RING-SOLENOID (UPPER) SHUT OFF
6. SOLENOID VALVE-IDLE	49. "O"-RING-SOLENOID (LOWER)
7. GASKET-SOLENOID VALVE	50. JET-PRI. SLOW AIR BLEED
8. SCREW & LKWSHR. (3)-SOLENOID VALVE	51. SPRING-PUMP RETURN
9. SOLENOID VALVE ASSY. COASTING RICHER	52. RETAINER-SCREEN
10. SPRING-PLUNGER	53. SCREEN-PUMP CHECK
11. PLUNGER-SOLENOID VALVE	54. BALL-PUMP INTAKE CHECK
12. "O"-RING-SOLENOID VALVE SEAL	55. PLUG-PUMP DISC. CHECK
13. SCREW & LKWSHR. (2)-IDLE SWITCH	56. BALL & SPRING ASSY.-PUMP DISC.
14. SWITCH ASSY.-IDLE	57. PLUG-SLOW JET
15. POP RIVET (2)-RETAINER	58. JET-SLOW
16. SCREW & LKWSHR. (WIRE CLIP)-RETAINER	59. JET-STEP
17. RETAINER CHOKE COVER	60. JET-RICHER AIR BLEED
18. CHOKE COVER ASSEMBLY	61. JET-RICHER
19. SCREW-SPRING LEVER	62. JET-PRIMARY MAIN
20. LEVER-CHOKE COIL SPRING	63. SEAL-PRI. VENTURI TUBE
21. SPRING-SEC. RETURN	64. JET-PRI. MAIN AIR BLEED
22. RETAINER-CHOKE PULL OFF LINK	65. SCREW & LKWSHR. (2)-PRI. VENTURI
23. SCREW & LKWSHR. (2)-CHOKE PULL OFF & CHOKE HOUSING	66. VENTURI ASSY.-PRIMARY
24. CHOKE PULL OFF & HOUSING ASSEMBLY	67. GASKET-PRI. VENTURI
25. COTTER PIN-THROTTLE LINK	68. SEAL-SEC. VENTURI TUBE
26. WASHER-THROTTLE LINK	69. JET-SEC. MAIN AIR BLEED
27. SCREW & LKWSHR. (3)-SEC. DIAPHRAGM ASSY.	70. SCREW & LKWSHR. (2)-SEC. VENTURI
28. SECONDARY DIAPHRAGM ASSEMBLY	71. VENTURI ASSY.-SECONDARY
29. GASKET-SEC. DIAPHRAGM ASSY.	72. GASKET-SEC. VENTURI
30. RETAINER (PLASTIC)-SEC. DIAPHRAGM ROD	73. SCREW & LKWSHR. (2)-DASHPOT
31. RETAINER (UPPER)-FAST IDLE ROD	74. DASHPOT & BRACKET ASSY.
32. SCREW & LKWSHR. (5)-BOWL COVER	75. SCREW (2)-COVER
33. SCREW & LKWSHR. (2)-BOWL COVER	76. COVER-SIGHT GLASS
34. BOWL COVER ASSEMBLY	77. GASKET-COVER
35. PIN-FLOAT	78. SIGHT GLASS
36. FLOAT & LEVER ASSY.	79. SEAL-SIGHT GLASS
37. GASKET-BOWL COVER	80. PLUG-SEC. MAIN JET
38. NEEDLE & SEAT ASSY.	81. GASKET-PLUG
39. SCREEN-NEEDLE SEAT	82. JET-SECONDARY MAIN
40. PUMP ASSEMBLY	83. SCREW & LKWSHR.-BRACKET & THROTTLE BODY
41. RETAINER-PUMP BOOT	84. BRACKET-PUMP LEVER SPRING
42. BOOT-PUMP	85. SCREW & LKWSHR.-THROTTLE BODY
43. SOLENOID-BOWL VENT	86. SCREW & LKWSHR.-THROTTLE BODY
	87. BOWL ASSEMBLY
	88. GASKET-THROTTLE BODY
	89. NEEDLE-IDLE ADJUSTING
	90. SPRING-IDLE ADJ. NEEDLE
	91. WASHER-IDLE NEEDLE SEAL
	92. SEAL-IDLE ADJ. NEEDLE
	93. THROTTLE BODY ASSEMBLY

#### CLEANING

CLEANING MUST BE DONE WITH CARBURETOR DISASSEMBLED. SOAK PARTS LONG ENOUGH TO SOFTEN AND REMOVE ALL FOREIGN MATERIAL. (CAUTION: DO NOT PROLONG SOAKING OF PARTS CONTAINING PLASTIC MATERIALS THAT ARE NOT REMOVABLE.) MAKE CERTAIN THE THROTTLE BORES ARE FREE OF ALL CARBON DEPOSITS. WASH OFF IN SUITABLE SOLVENT. BLOW OUT ALL PASSAGES IN CASTINGS WITH COMPRESSED AIR AND CHECK CAREFULLY TO INSURE THOROUGH CLEANING OF OBSCURE AREAS. DO NOT SOAK DIAPHRAGM ASSEMBLIES, FLOAT, SOLENOIDS OR PARTS CONTAINING RUBBER MATERIALS.

#### REASSEMBLY

REASSEMBLE IN REVERSE ORDER OF DISASSEMBLY. NOTE SPECIAL INSTRUCTIONS AND ADJUSTMENTS.

#### SPECIAL INSTRUCTIONS

IDLE ADJUSTING NEEDLE (89)-TURN NEEDLE IN UNTIL LIGHTLY SEATED. THEN BACK OUT NUMBER OF TURNS RECORDED ON DISASSEMBLY. (DO NOT DRIVE SPRING PIN IN UNTIL CARBURETOR HAS BEEN ADJUSTED.)

CHOKE COVER ASSY. (18)-WHEN INSTALLING BE SURE LOOP ON CHOKE SPRING IS OVER THE UPPER ARM OF CHOKE SHAFT LEVER (20). MAKE SURE CHOKE SPRING HOUSING IS PROPERLY LOCKED ON LOCATION PIN (NON-ADJUSTABLE).

# ADJUSTMENTS

