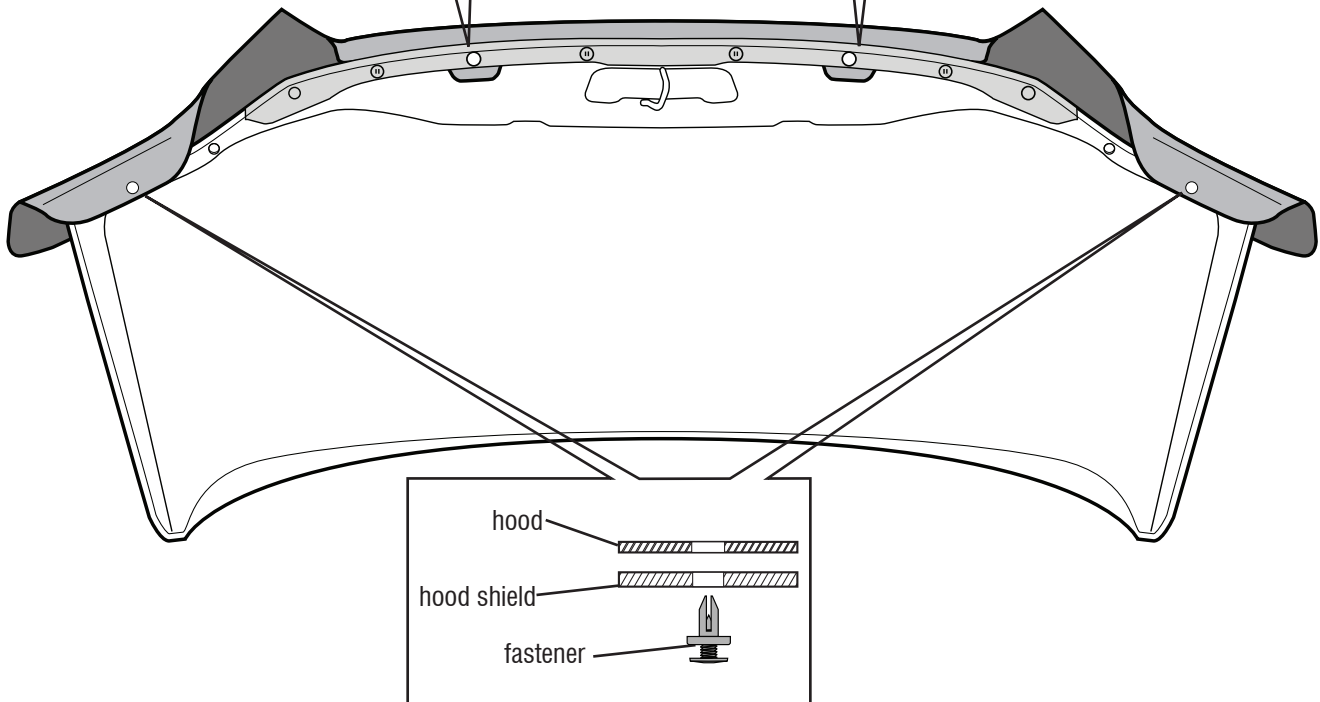
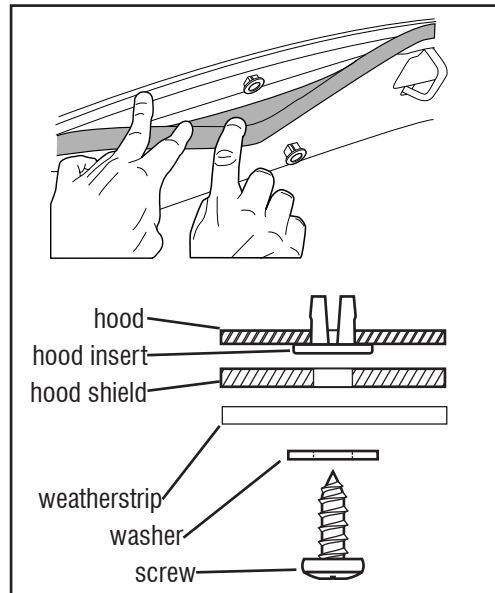


1. Open Hood. Remove (2) weatherstrip retainers.
2. Install (2) hood inserts in hood, **UNDERNEATH** the weatherstrip.
3. Center part on front edge of hood and align holes. **NOTE:** Inner flanges should be **UNDER** weatherstrip.
4. Install (2) screws with washers on the inner flanges.
5. Install (2) fasteners on the outer flanges.
6. Close hood. Apply bump ons to surface of hood.



IMPORTANT: Before driving, ensure the hood shield is properly secured to vehicle. Clean with a **SOFT** cloth and soap and water **ONLY!** Using abrasive cleaners, chemicals, or solvents will **VOID** the warranty on this product.