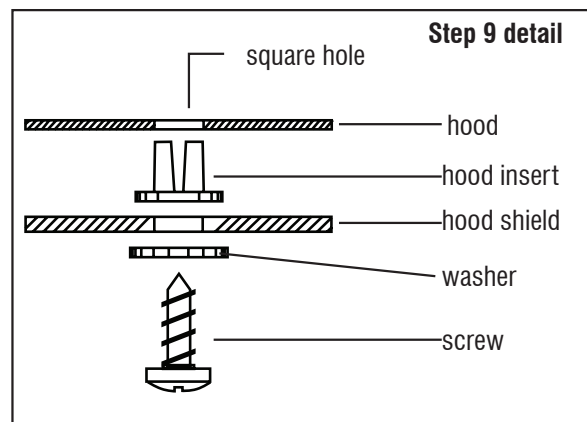
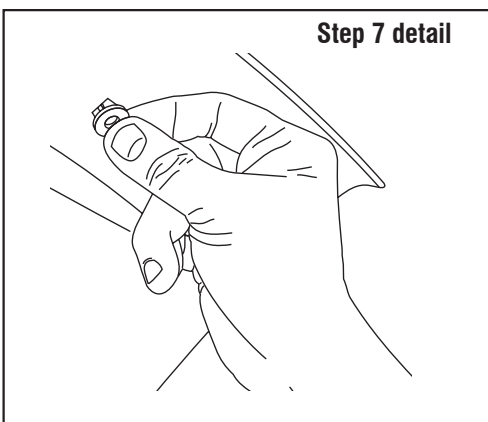
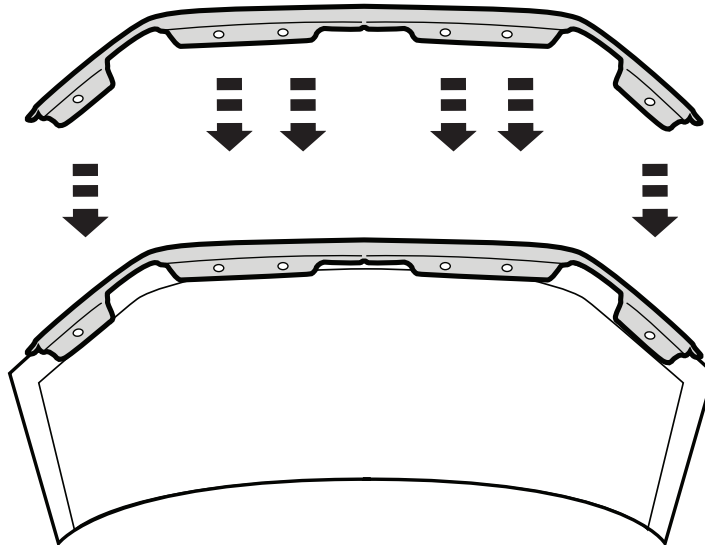


1. Open hood.
2. Locate (4) square holes and (2) round holes on underside of hood.
3. Center one (1) long strip of protective film along the leading edge of the hood. **Wrap** the protective film along the hood edge. **DO NOT COVER HOLES.**
4. **Wrap** two (2) short pieces of protective film around the leading edge of the hood closest to the headlights.
5. Center one (1) long strip of protective film along the leading edge of the outer grille housing. Place the protective film along the **TOP** of the housing.
6. Note the location of the (4) square holes.
7. Press (4) hood inserts into the (4) square holes. If necessary use tape to hold them firmly in place. (See detail below.)
8. Align pre-drilled holes in hood shield with holes in hood. Place hood shield on hood, ensuring protective film is between the hood shield flange and hood edge.
9. Using a phillips screwdriver install (4) screws with (4) washers at the locations noted in **Step 6. DO NOT OVER TIGHTEN** (See detail below.)
10. Note the location of the (2) remaining holes.
11. Insert (1) fastener and push firmly through hole in hood shield and into hood to secure. Repeat for remaining hole location.
12. Close hood, and install bump ons at pre-cleaned locations on the painted hood surface.



IMPORTANT: Before driving, ensure the hood shield is properly secured to vehicle. Clean with a **SOFT** cloth and soap and water **ONLY!** Using abrasive cleaners, chemicals, or solvents will **VOID** the warranty on this product.