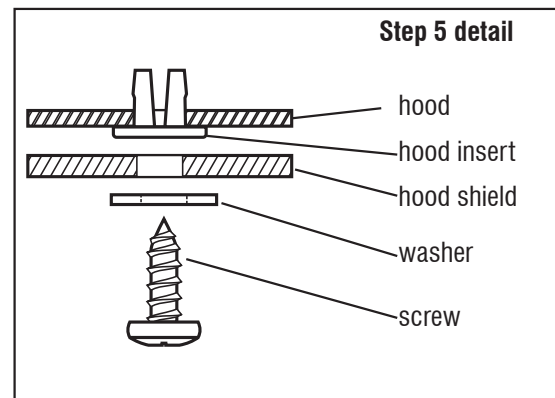
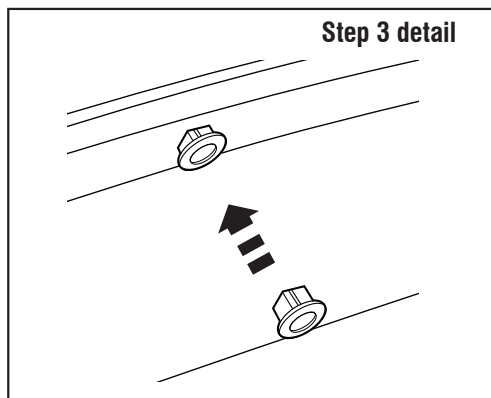
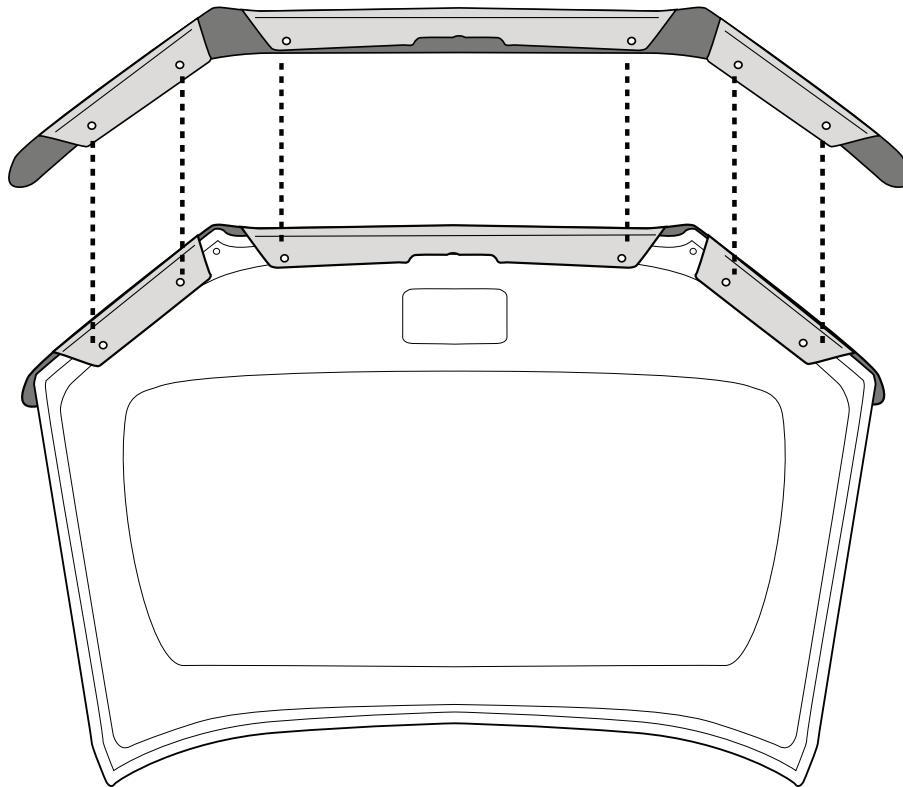


1. Open hood.
2. Test fit hood shield. Note (6) holes along leading edge of hood that correspond with holes in hood shield.
3. Press (6) hood inserts into hood at the locations identified in **Step 2**. (See detail below.)
4. Center part on front edge of hood and align holes in hood shield with the previously installed Inserts.
5. Secure hood shield to hood with a screw and washer at each hole location. (See detail below.)
6. Close hood. Apply bump ons to surface of hood.



IMPORTANT: Before driving, ensure the hood shield is properly secured to vehicle. Clean with a **SOFT** cloth and soap and water **ONLY!** Using abrasive cleaners, chemicals, or solvents will **VOID** the warranty on this product.