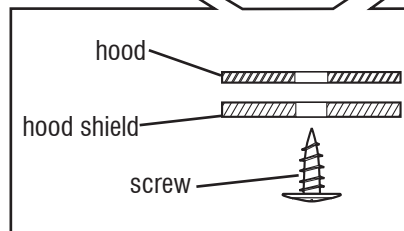
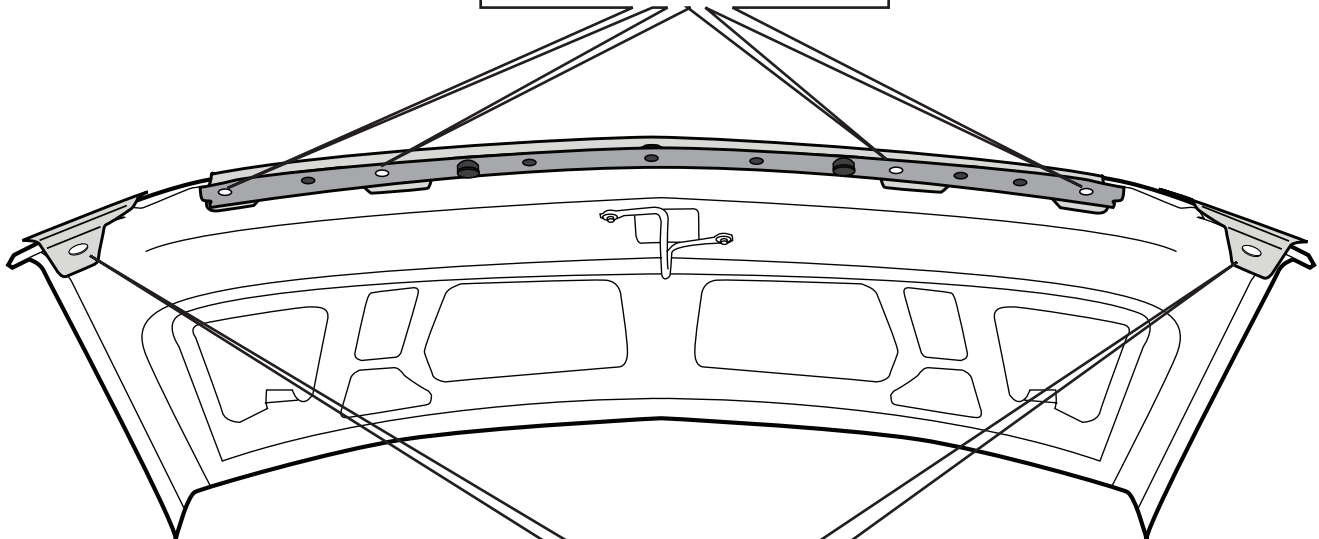
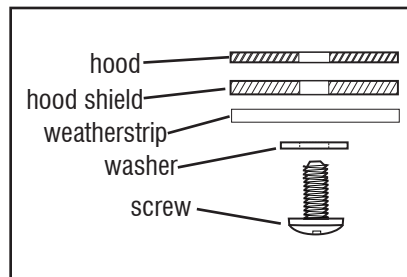


1. Open Hood. Locate the weatherstrip on the leading edge of the hood, and remove ONLY the (4) fasteners indicated. Center part on front edge of hood and align holes under weatherstrip. **NOTE:** weatherstrip should be OVER flanges at INBOARD locations.
2. Center protective film over grease pencil mark, and wrap around the hood edge.
3. Install a screw with washer in each of the (4) inboard hole locations.
4. Install a self tapping screw in each of the (2) outboard hole locations. **NOTE:** Use caution not to push too hard on self tapping screw and puncture outer hood surface!
5. Close hood. Apply bump-ons to surface of hood and fenders.

INBOARD LOCATIONS



OUTBOARD LOCATIONS

IMPORTANT: Before driving, ensure the hood shield is properly secured to vehicle. Clean with a **SOFT** cloth and soap and water **ONLY!** Using abrasive cleaners, chemicals, or solvents will **VOID** the warranty on this product.