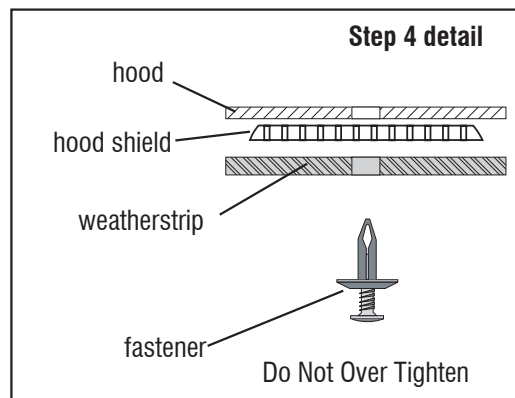
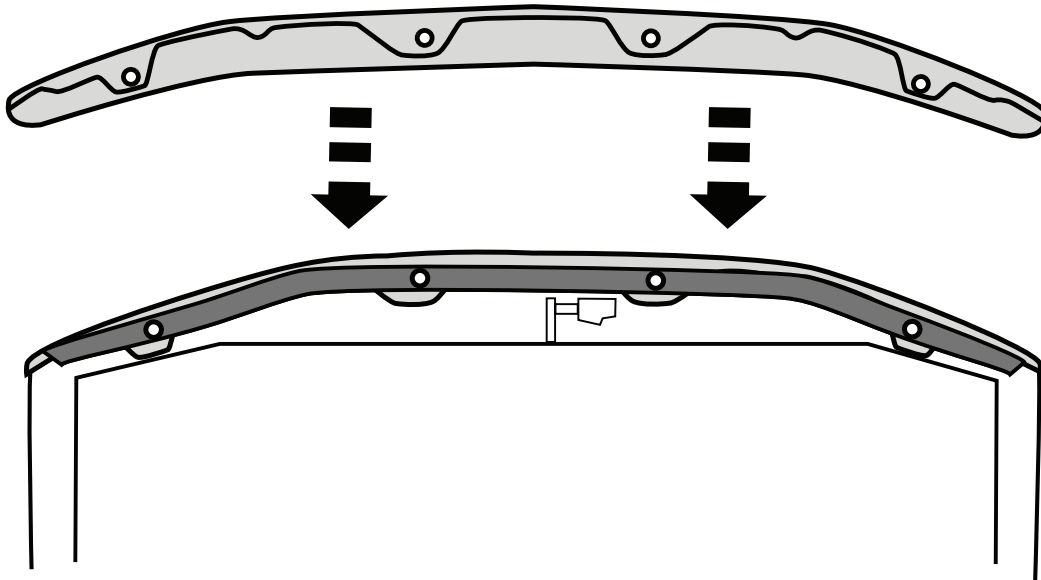


1. Raise hood.
2. Locate (4) weatherstrip fasteners under hood that align with predrilled holes in hood shield. Remove and discard fasteners.
3. Align Hood Shield with holes in hood. The mounting flange of the hood shield is positioned **UNDER** the rubber trim.
4. Using a phillips screwdriver, install (4) fasteners by screwing through the weatherstrip, hood shield, and hood.
5. Close Hood, and install (4) bump ons.



**IMPORTANT:** Before driving, ensure the hood shield is properly secured to vehicle. Clean with a **SOFT** cloth and soap and water **ONLY!** Using abrasive cleaners, chemicals, or solvents will **VOID** the warranty on this product.