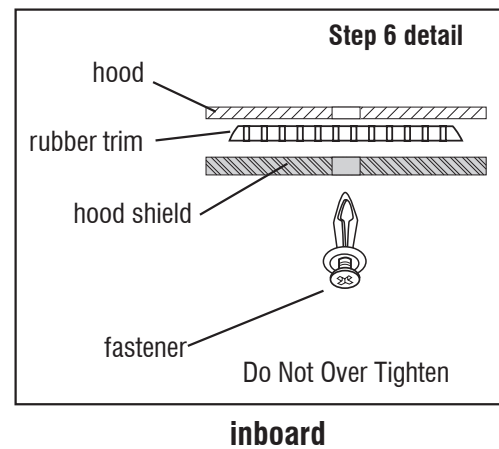
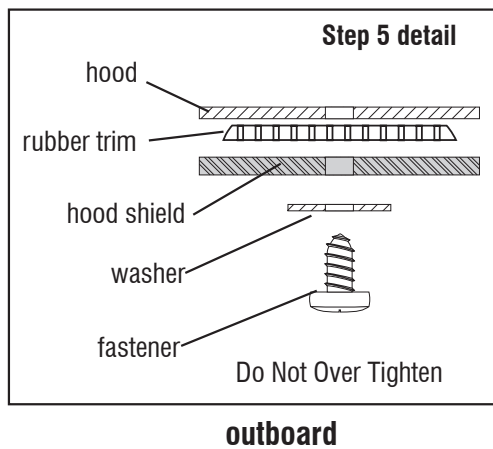
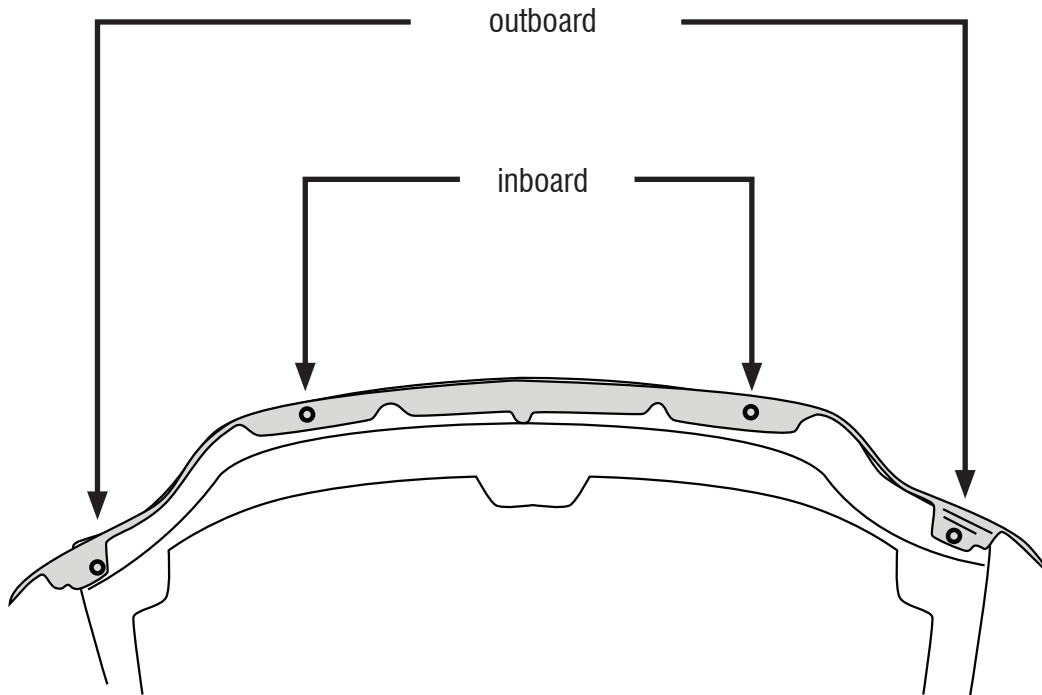


1. Raise hood.
2. Locate (4) mounting positions on underside of hood.
3. Remove (2) fasteners which attach rubber trim to hood.
4. Align Hood Shield with holes in hood. The mounting flange of the hood shield is positioned **OVER** the rubber trim.
5. Install (2) screws with washers in the outboard mounting holes. (See detail below.)
6. Install (2) plastic fasteners in the inboard mounting holes. (See detail below.)
7. Close hood and install (4) bump ons.



IMPORTANT: Before driving, ensure the hood shield is properly secured to vehicle. Clean with a **SOFT** cloth and soap and water **ONLY!** Using abrasive cleaners, chemicals, or solvents will **VOID** the warranty on this product.