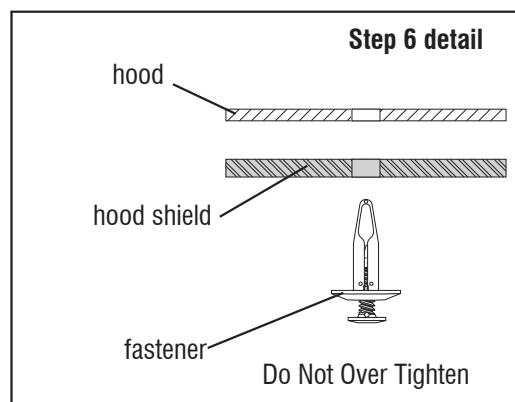
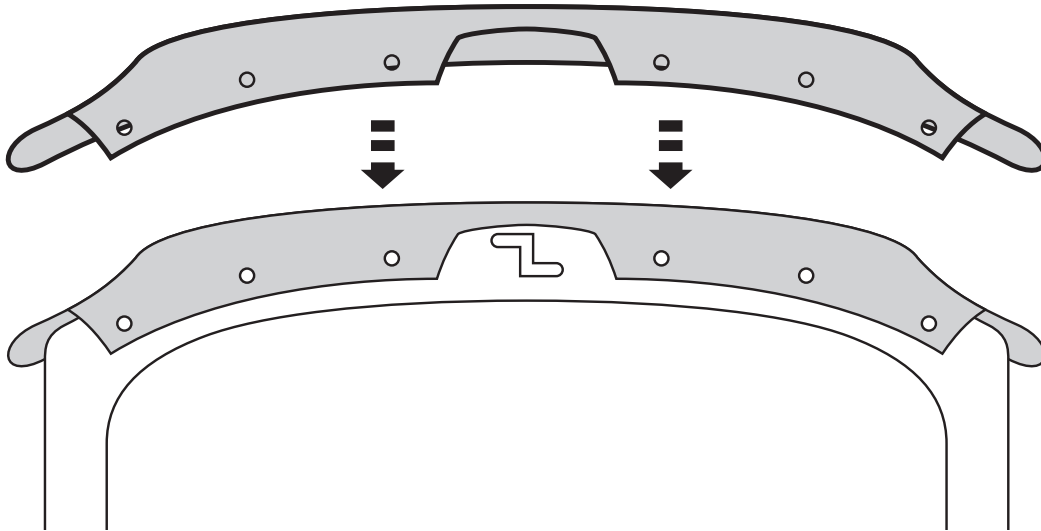


1. Raise hood.
2. Vehicles equipped with hood mounted bumper stops: Bumper stops must be removed prior to installation.
3. **2002 & Up Explorer** (1995-2001 Explorer continue to **Step 4**) Peel back 2" (5cm) of tape liner from each end of hood shield.
4. Align hood shield with hood edge.
5. **2002 & Up Explorer** (1995-2001 Explorer continue to **Step 6**) Remove tape liner.
6. Using a phillips screwdriver, install (6) fasteners by screwing through the hood shield, and hood. (See detail below.)
7. Close hood, install (4) bump ons.



IMPORTANT: Before driving, ensure the hood shield is properly secured to vehicle. Clean with a **SOFT** cloth and soap and water **ONLY!** Using abrasive cleaners, chemicals, or solvents will **VOID** the warranty on this product.