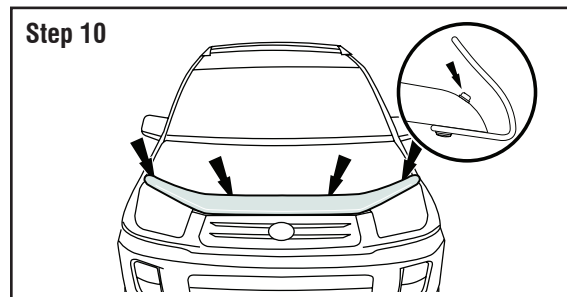
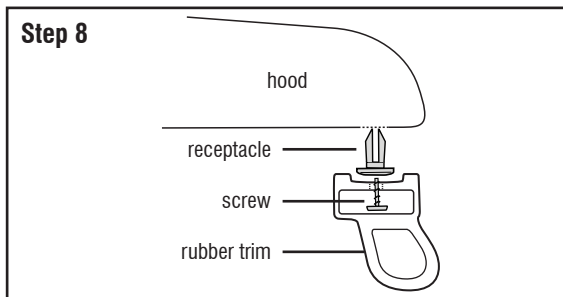
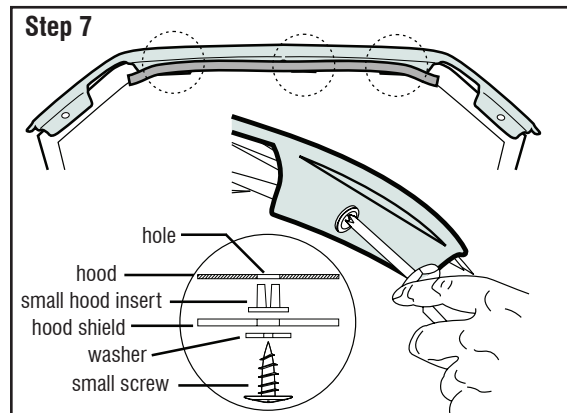
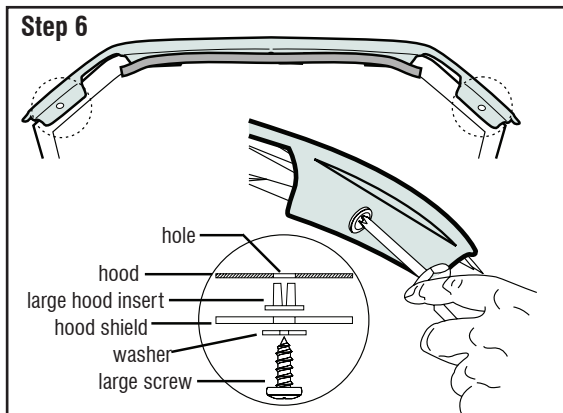
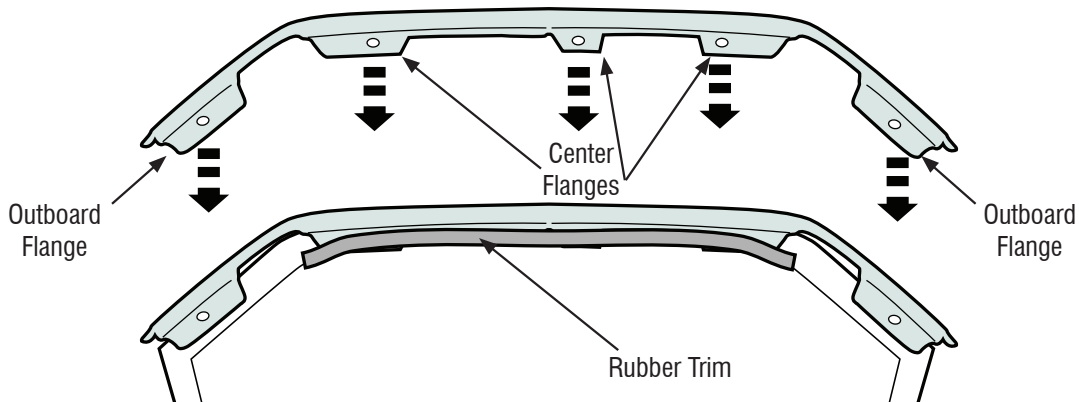


1. Raise hood. Remove and discard (2) clear film circles located on underside of front outboard edges of hood.
2. Press a **large** hood insert into both of the holes exposed in Step 1 above.
3. Center hood shield to hood and test fit. Remove & discard rubber trim fasteners where center hood shield flanges align with hood.
4. Press a **small** hood insert into each of the (3) holes exposed in Step 3 above.
5. Re-center hood shield on hood. Place center flanges **under** rubber trim.
6. Secure **outboard** flanges of hood shield to hood using a **large** screw and washer at both locations. DO NOT OVER TIGHTEN. (See detail below.)
7. Secure center flanges of hood shield to hood using a **small** screw and washer at each location. DO NOT OVER TIGHTEN. (See detail below.)
8. If necessary, replace broken fasteners as shown. (See detail below.)
9. Adjust bumper stops as needed to ensure hood shield clears grille and headlights.
10. Close hood, and install bump ons at pre-cleaned locations on the painted hood surface. (See detail below.)



**IMPORTANT:** Before driving, ensure the hood shield is properly secured to vehicle. Clean with a **SOFT** cloth and soap and water **ONLY!** Using abrasive cleaners, chemicals, or solvents will **VOID** the warranty on this product.