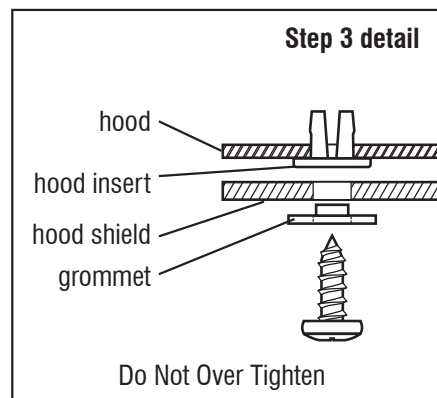
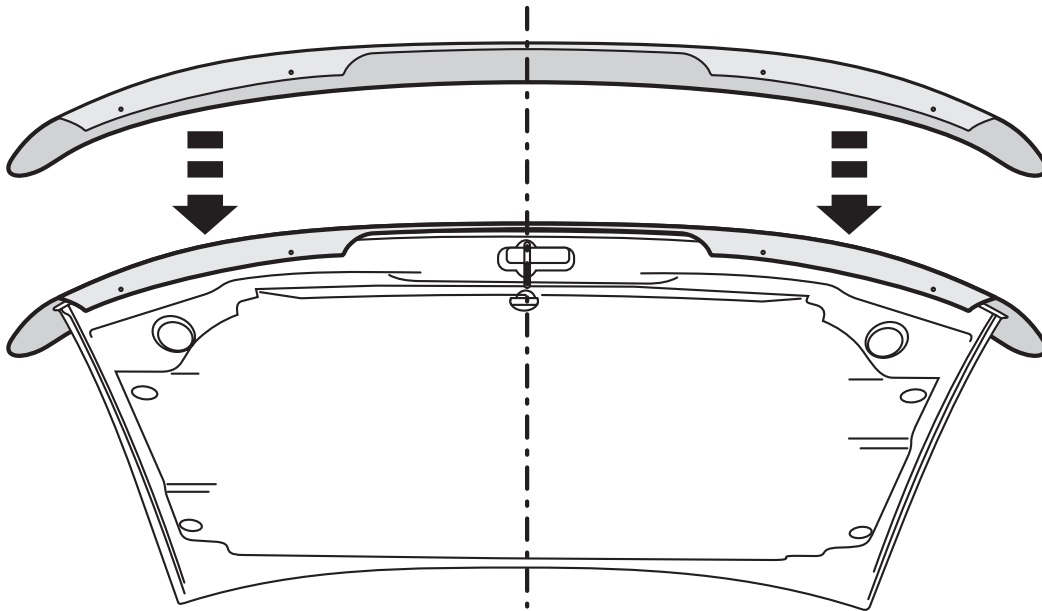


1. Clean hood shield mounting location.
2. Test fit hood shield. Note location of (4) holes in hood that correspond to the (4) holes in the hood shield. Place (1) insert in each of the holes in the hood. **NOTE:** It may be helpful to use a piece of scotch tape to assist in holding the insert in place.
3. Center hood shield and attach using (4) grommets and screws. **(See detail below.)**
4. **NOTE:** Do not over tighten! Use caution not to push too hard on self tapping screw and puncture outer hood surface!
5. Lower hood, adjust hood bumper stops if necessary. Apply bump-ons to hood surface.



**IMPORTANT:** Before driving, ensure the hood shield is properly secured to vehicle. Clean with a **SOFT** cloth and soap and water **ONLY!** Using abrasive cleaners, chemicals, or solvents will **VOID** the warranty on this product.