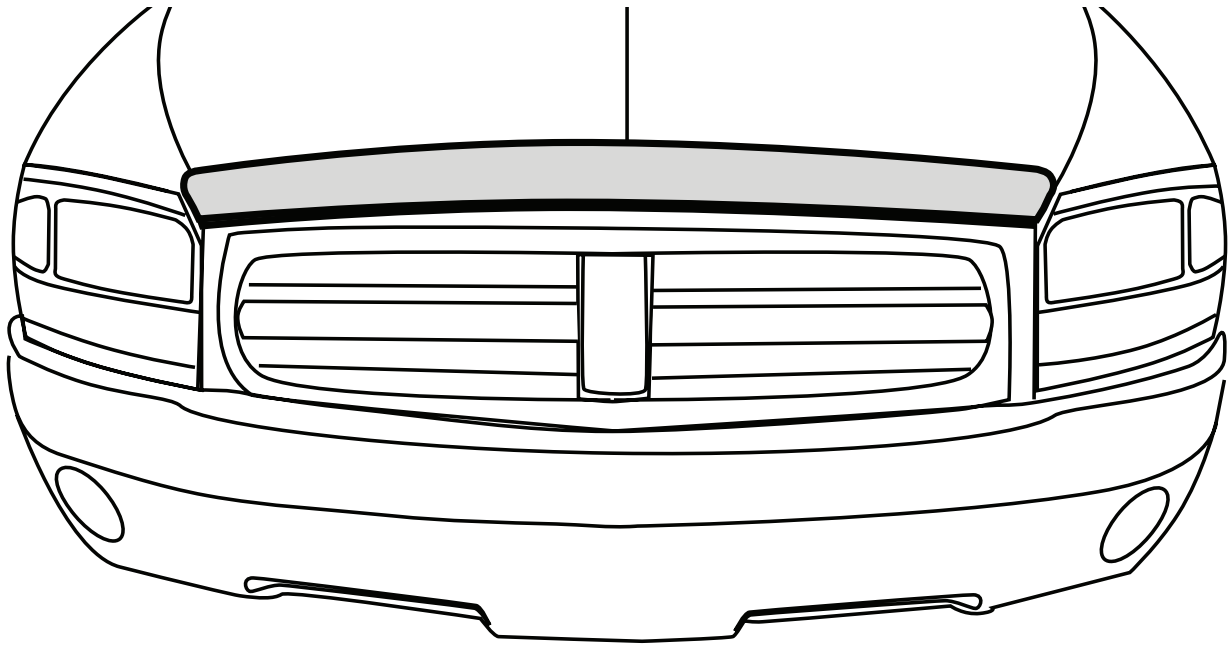
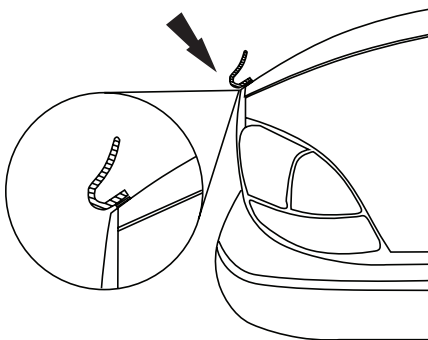


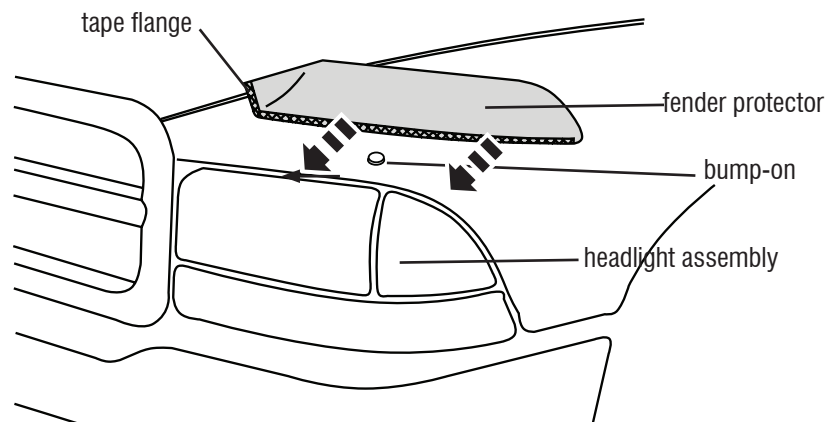
1. Clean painted surface of hood with alcohol pad.
2. Peel back 2" of tape liner from each end of bottom flange.
3. Align hood deflector with the raised area on the center of hood. Press firmly to adhere exposed tape. (See detail below.)
4. Remove remainder of tape by pulling on free ends.
5. Apply 4 bump on's to hood surface. If applicable repeat **Steps 1-4** to install Fender protectors (See detail below.)



**Step 3 Detail**



**Step 5 Detail**



**IMPORTANT:** Before driving, ensure the hood shield is properly secured to vehicle. Clean with a **SOFT** cloth and soap and water **ONLY!** Using abrasive cleaners, chemicals, or solvents will **VOID** the warranty on this product.