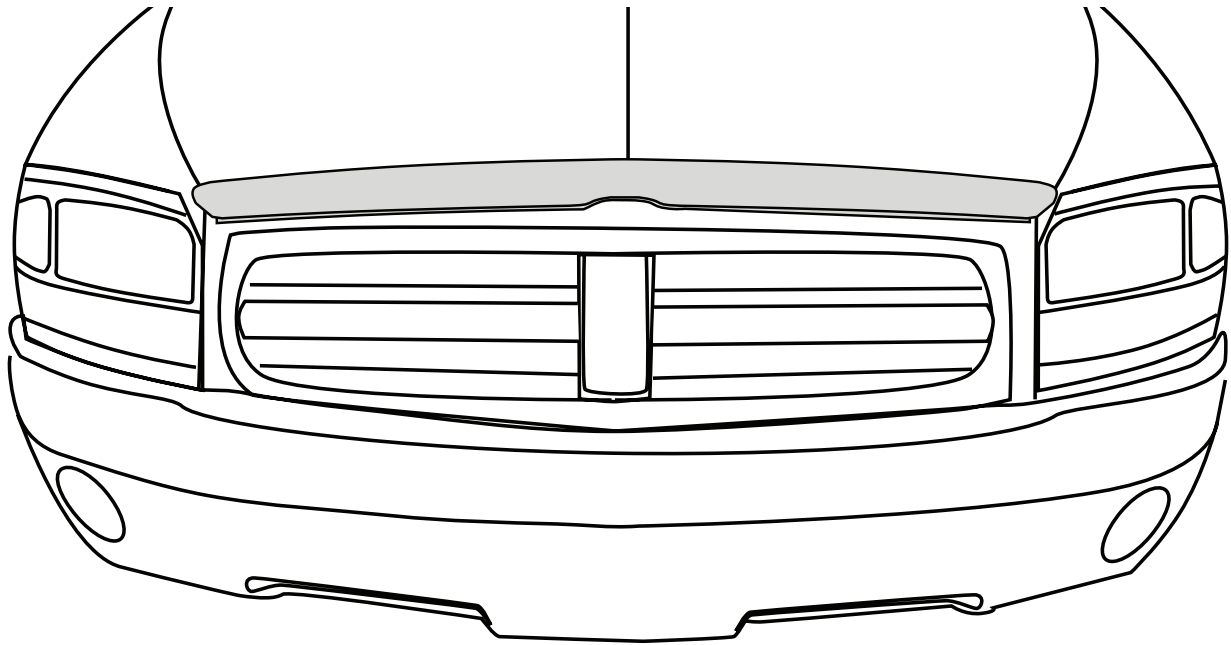
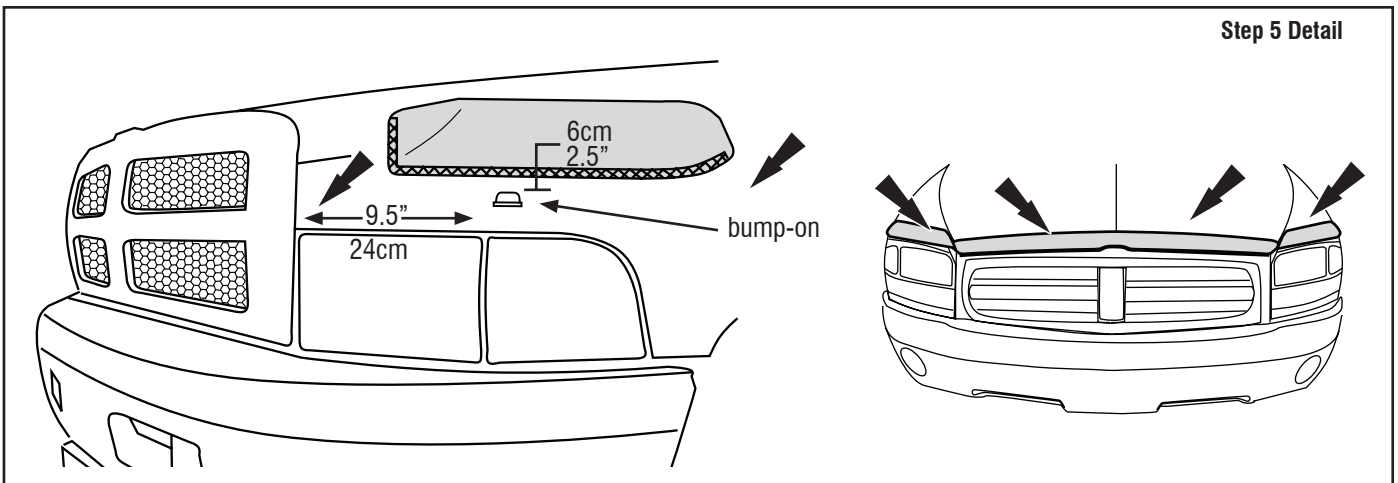


1. Clean painted surface of hood with alcohol pad.
2. Peel back 2" of tape liner from each end of bottom flange.
3. Align hood deflector with the raised area on the center of hood. Press firmly to adhere exposed tape.
4. With hood shield in its final position, remove remainder of tape by pulling on free ends.
5. **Fender Protector Installation:** Repeat **Steps 1 - 4** for both fender protectors. Position bump-ons as indicated to prevent vibration. (See detail below.)



Step 5 Detail



IMPORTANT: Before driving, ensure the hood shield is properly secured to vehicle. Clean with a **SOFT** cloth and soap and water **ONLY!** Using abrasive cleaners, chemicals, or solvents will **VOID** the warranty on this product.