

IMPORTANT: READ BEFORE INSTALLATION

IDEAL TAPE APPLICATION TEMPERATURE RANGE IS 70-100 DEGREES FAHRENHEIT!

STEP 1: PEEL THE RED VINYL BACKING PARTIALLY AWAY FROM TAPE PADS. NOTE: MAKE SURE THE TABS ARE FOLDED TOWARD THE OUTSIDE OF THE PART AND THAT THE MIDDLE TAPE LINER IS IN FRONT OF THE OUTSIDE LINER **Fig (A)**.

STEP 2: CAREFULLY LAY THE PART DOWN ON THE VEHICLE BED RAIL AND POSITION PROPERLY **Fig (B)**.

STEP 3: MAINTAINING PART PLACEMENT, BEGIN BY PULLING MIDDLE TAPE TAB FIRST. APPLY DOWNWARD PRESSURE TO PART AS YOU REMOVE TAPE LINER. REMOVE CAREFULLY. DO NOT BREAK TAPE LINER. REPEAT FOR REMAINING TAPE LINERS. ONCE ALL LINERS ARE REMOVED, APPLY FIRM PRESSURE ALONG ALL TAPED AREAS.

NOTE: 3M[™] RECOMMENDS 30 PSI TO PROMOTE FULL ADHESION. TAPE REACHES MAXIMUM ADHESIVE BOND AFTER 24 HOURS OF CONTACT.

STEP 4: SLIDE A SUPPLIED "S" SPRING CLIP (CL1-0006) ONTO THE VEHICLE BED RAIL IN THE CORRESPONDING FASTENING LOCATIONS ON THE INSIDE EDGE OF THE BEDRAIL CAP. **Fig (C)**.

FASTEN THE BEDRAIL CAP TO THE CLIPS WITH THE SUPPLIED TRUSS SCREWS (SW1-0050). **Fig (C)**.

NOTE: THE BEDRAIL CAP IS DESIGNED WITH A SMALL GAP AT THE FRONT OF THE BED TO ALLOW FOR EXPANSION AND CONTRACTION OF THE PART. IT IS NOT DESIGNED TO COVER TO THE END OF THE BED. **Fig (D)**.

KIT CONTAINS

1.



SW1-0050,
10 x 5/16 Phillips
Truss Screw,
4 pcs

2.



CL1-0006,
Black "S"
Spring Clip,
4 pcs

TOOLS REQUIRED

- Clean Cloth
- Rubbing Alcohol
- #2 Phillips Screwdriver

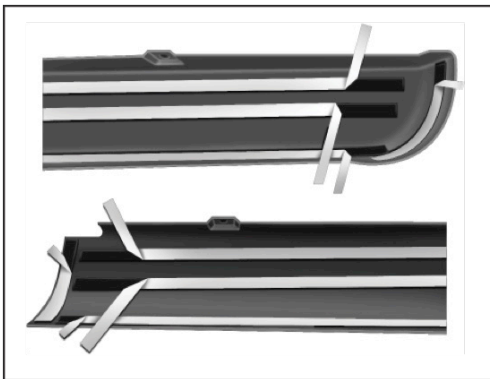


Fig (A)



Fig (B)



Fig (C)



Fig (D)