

IMPORTANT: READ BEFORE INSTALLATION

STEP 1: REMOVE FACTORY FENDER FLARES, FENDER TRIM AND MUD FLAPS IF INSTALLED.

STEP 2: VERIFY FIT

(A) FLARES SHOULD BE HELD TO VEHICLE TO VERIFY CORRECT TYPE AND FIT BEFORE INSTALLATION.

STEP 3: PAINTING **PAINTED FLARES CANNOT BE RETURNED. TEST FIT BEFORE PAINTING**

(IF INSTALLING CAMO SERIES FLARES, OR PAINTING IS NOT DESIRED SKIP STEP 3)
(IF PAINTING IS DESIRED IT IS RECOMMENDED TO BE DONE PRIOR TO INSTALLATION.)

- (A) SAND (OPTIONAL) BEFORE APPLICATION OF PAINT
- (B) CLEAN OUTER SURFACE WITH A WAX & GREASE REMOVER
(DO NOT USE LACQUER THINNER OR ENAMEL REDUCER AS A DEGREASER)
- (C) WIPE OUTER SURFACE WITH A TACK CLOTH.
- (D) PAINT FLARES USING A HIGH QUALITY LACQUER, ENAMEL, OR POLYURETHANE AUTOMOTIVE PAINT.
(APPLICATION OF A PRIMER COAT PRIOR TO PAINTING IS OPTIONAL)
- (E) IF PAINTING EDGE TRIM (NOT RECOMMENDED) USE A FLEX ADDITIVE.

STEP 4: EDGE TRIM INSTALLATION

- (A) PEEL THREE INCHES OF RED BACKING AWAY FROM EDGE TRIM ADHESIVE AND AFFIX TO OUTER EDGE OF FLARE AT ONE END.
- (B) PRESS EDGE TRIM INTO PLACE ALONG EDGE OF FLARE IN ONE-FOOT INCREMENTS, PULLING RED BACKING FREE AS YOU CONTINUE TO WORK YOUR WAY AROUND THE FLARE. (SEE EDGE VIEW)

STEP 5: BOLT INSTALLATION (Only applies to the "Ruff Riderz" style flares, for all others skip to step 6 below)

WARNING: DO NOT OVER TIGHTEN OR USE LOCTITE® ON THE BOLTS AS THIS WILL CAUSE PERMANENT DAMAGE TO THE FLARES. BOLTS ARE DECORATIVE ONLY AND FASTEN ONLY TO THE FLARES. DO NOT ATTEMPT TO USE THE BOLTS TO FASTEN THE FLARES TO THE VEHICLE.

- (A) DRILL A 5/16" HOLE IN THROUGH THE DIVITS IN EACH OF THE POCKETS
- (B) PLACE A 5/16" BUTTON HEAD SCREW WITH A WASHER INTO EACH OF THE HOLES AND ATTACH TO THE FLARE USING A NUT PLACED ON THE INSIDE. (fig 2)

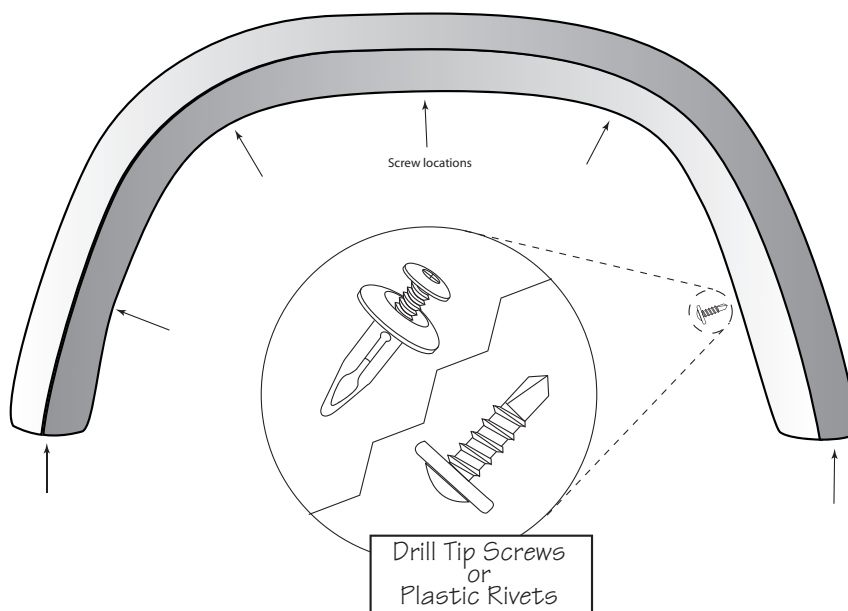
STEP 6: FLARE INSTALLATION

- (A) HOLD FLARE IN PLACE ON FENDER.
- (B) APPLYING MODERATE PRESSURE TO OUTSIDE SURFACE OF FLARE, FASTEN WITH THE INCLUDED DRILL TIP SCREWS OR CLIPS INTO EXISTING FACTORY HOLES OR CLIPS. IF FACTORY CLIPS OR HOLES ARE NOT PRESENT, DRILL INTO THE SHEET METAL LIP WITH THE DRILL TIP SCREWS THROUGH THE PRE-DRILLED HOLES IN THE FLARE.

TOOLS REQUIRED:

- DRILL
- 5/16" DRILL BIT*
- 3/16" HEX WRENCH*
- 1/2" WRENCH*
- #2 PHILLIPS BIT
- UTILITY KNIFE

* Only applies to the "Ruff Riderz" style flares



Edge View

