



INSTALLATION INSTRUCTIONS

51225

REAR ANTI-SWAYBAR 85-87 VW GOLF AND JETTA

Congratulations! You were selective enough to choose a SUSPENSION TECHNIQUES PRODUCT. We have spent many hours developing our line of products so that you will receive maximum performance with minimum difficulty during installation.

- Note: Confirm that all of the hardware listed in the parts list is in the kit. Do not begin installation if any part is missing. Read the instructions thoroughly before beginning this installation.
- Warning: Do not work under a vehicle supported by only a jack. Place support stands securely under the vehicle in the manufacturer's specified locations unless otherwise instructed.
- Warning: Do not drive vehicle until all work has been completed and checked. Torque all hardware to values specified.
- Reminder: Proper use of safety equipment and eye/face/hand protection is absolutely necessary when using these tools to perform procedures!
- Note: It is very helpful to have an assistant available during installation.

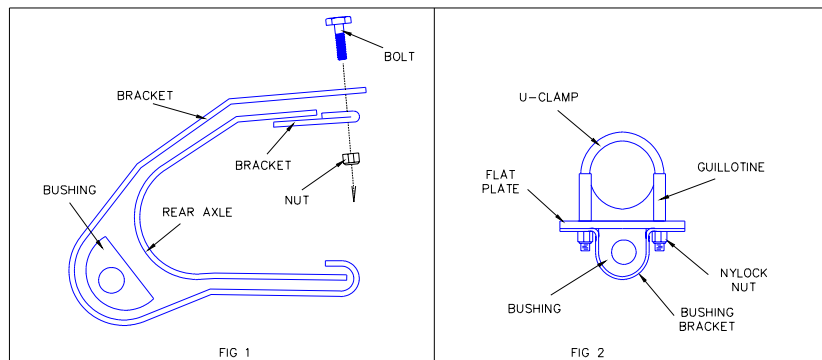
RECOMMENDED TOOLS:

- Properly rated floor jack, support stands, and wheel chocks
- Combination wrench set
- Ratcheting socket wrench and socket sets
- Safety Glasses

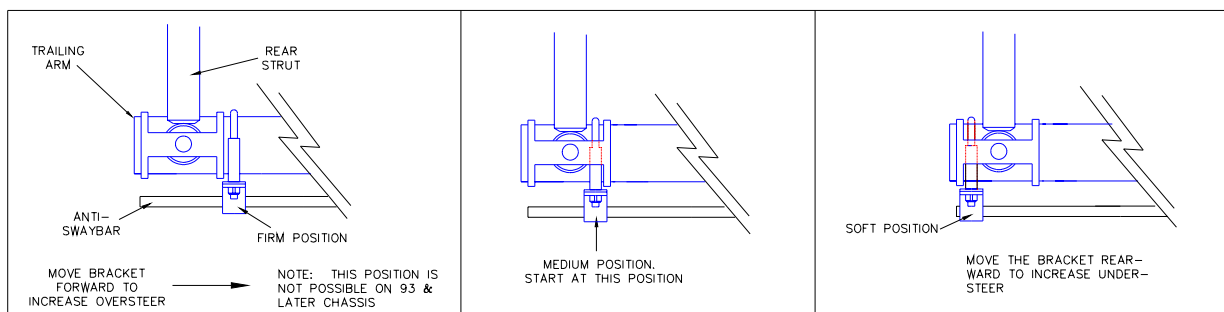
KIT INSTALLATION

1. Open the hardware kit and remove all of the contents. Refer to the part list (Page 3) to verify that all parts are present.
2. Park the vehicle on a smooth, level concrete or seasoned asphalt surface and activate the parking brake. Block the FRONT wheels of the vehicle with appropriate wheel chocks; making sure the vehicle's transmission is in 1st gear (manual) or "Park" (automatic).
3. Using a properly rated floor jack, lift the REAR wheels of the vehicle off the ground. Place support stands, rated for the vehicle's weight, and in the factory specified locations. Refer to the vehicle Owner's Manual. Prior to lowering the vehicle onto the stands, make sure the supports will securely contact the chassis.
4. It is very important that the vehicle is properly supported during this installation to prevent personal injury and chassis damage! Make sure that the supports stands are properly placed prior to performing the following procedures. We DO NOT recommend using wheel ramps while performing this installation.

5. Slowly lower the vehicle onto the stands and, before placing the vehicle's entire weight on them, again check that they properly and securely contact the chassis as described above. Check for possible interference with any lines, wires, cables, or other easily damaged components.
6. Thoroughly lubricate the **inside** of your new hyperthane bushings using a high grade lithium or silicone based grease with molybdenum disulfide (moly). Place the bushings onto the new anti-swaybar.
7. Position the new anti-swaybar onto the center section of the rear axle. Fasten the center portion using the brackets and bolts provided in the kit. Refer to fig 1.
8. Connect the ends of the anti-swaybar, using the guillotine clamp, flat plates, bushings, and brackets provided in the kit. Refer to fig 2.



9. Go over the entire installation procedure and make sure all appropriate hardware is properly tight. Install the wheels and lower the vehicle. Installation is complete. Refer to the diagram for over/under steer adjustment.



10. Check that all components and fasteners have been properly installed, tightened and torqued.
11. Check brake hoses, steering and other components for any possible interference.
12. Lift vehicle and remove support stands. Carefully lower vehicle to ground.
13. Immediately test-drive the vehicle in a remote location so that you can become accustomed to the revised driving characteristics and handling. Be aware that the vehicle will handle substantially different now that it has been modified.

14. Installation is complete. Check all of the hardware and re-torque at intervals for the first 10, 100, 1000 miles.

PARTS LIST FOR ANTI-SWAY BAR KIT

PART No.	DESCRIPTION	QTY.
51225-300	Rear ASB	1
113165	END BUSHINGS	2
51225-020	PIVOT BUSHINGS	2
114020	BUSHING BRACKETS	2
51225-003	BUSHING BRACKET	2
51225-005	BUSHING BRACKET CLAMP	2
114042	UNDER BUSHING SUPPORT PLATE	2
112274	2 1/4" U-CLAMP GUILLOTINE	2
112086	3/8" - 16 x 1" HHCS	2
110255	3/8" - 16 NYLOCK NUT	6
55000-10	Grease Pack	1