



INSTALLATION INSTRUCTIONS

51140

REAR ANTI-SWAY BAR

88-91 HONDA CIVIC

Congratulations! You were selective enough to choose a SUSPENSION TECHNIQUES PRODUCT. We have spent many hours developing our line of products so that you will receive maximum performance with minimum difficulty during installation.

- Note: Confirm that all of the hardware listed in the parts list is in the kit. Do not begin installation if any part is missing. Read the instructions thoroughly before beginning this installation.
- Warning: Do not work under a vehicle supported by only a jack. Place support stands securely under the vehicle in the manufacturer's specified locations unless otherwise instructed.
- Warning: Do not drive vehicle until all work has been completed and checked. Torque all hardware to values specified.
- Reminder: Proper use of safety equipment and eye/face/hand protection is absolutely necessary when using these tools to perform procedures!
- Note: It is very helpful to have an assistant available during installation.

RECOMMENDED TOOLS:

- Properly rated floor jack, support stands, and wheel chocks
- Combination wrench:
- Ratcheting socket wrench and sockets:
- Safety Glasses

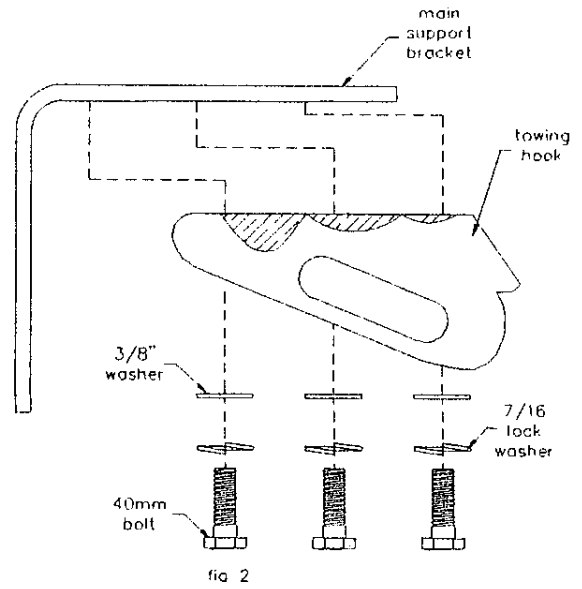
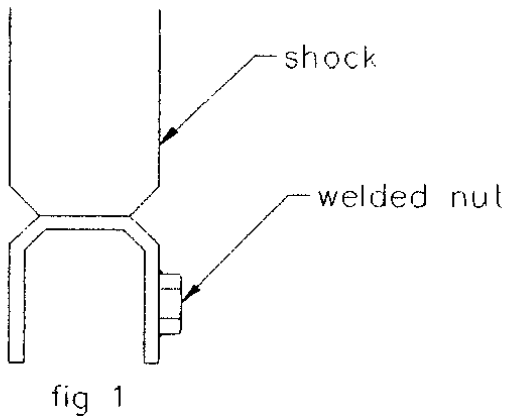
KIT INSTALLATION

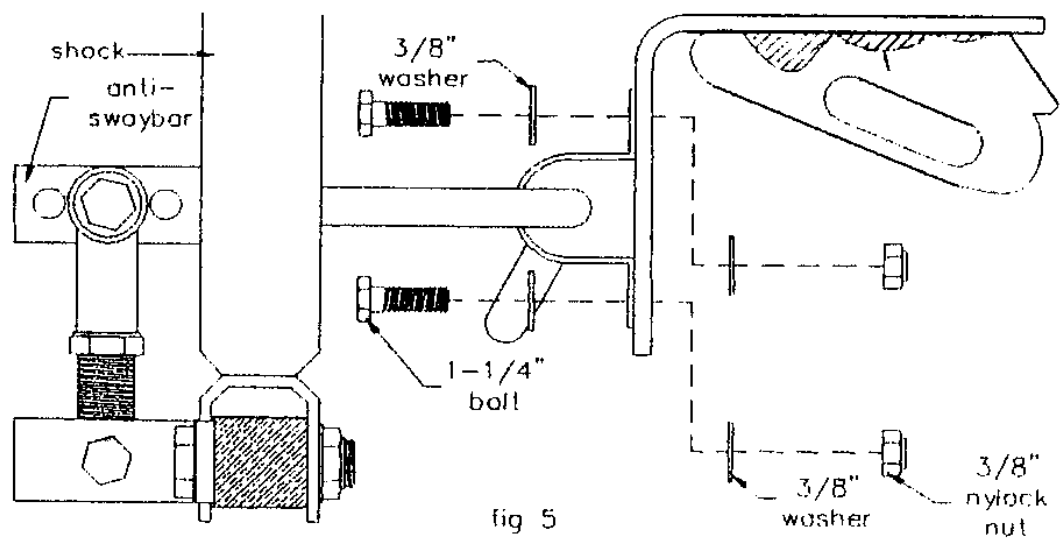
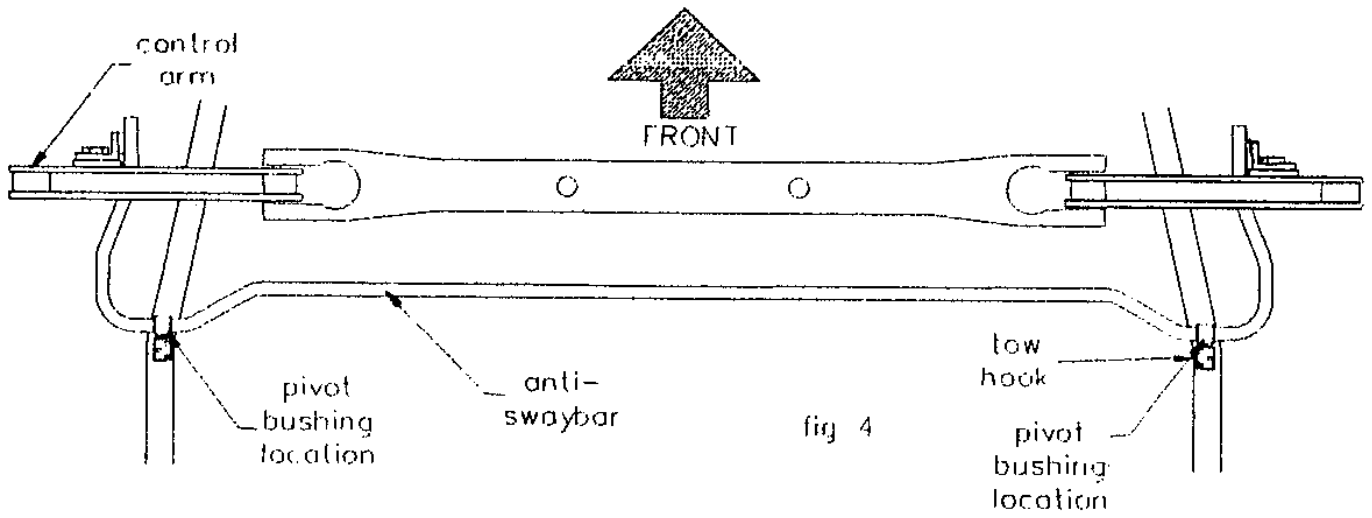
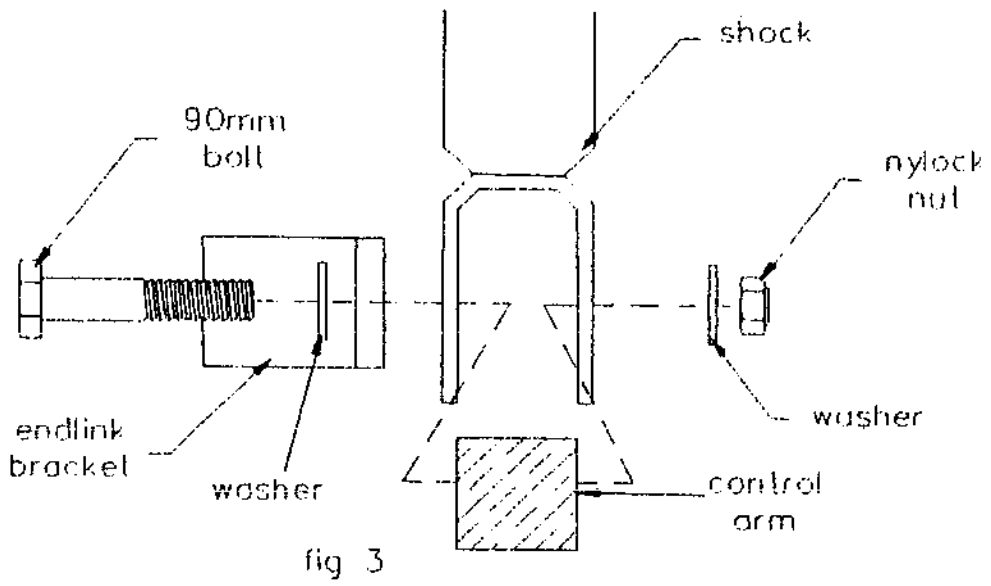
1. Open the hardware kit and remove all of the contents. Refer to the part list (Page 3) to verify that all parts are present.
 2. Park the vehicle on a smooth, level concrete or seasoned asphalt surface and activate the parking brake. Block the FRONT wheels of the vehicle with appropriate wheel chocks; making sure the vehicle's transmission is in 1st gear (manual) or "Park" (automatic).
 3. Using a properly rated floor jack, lift the REAR wheels of the vehicle off the ground. Place support stands, rated for the vehicle's weight, and in the factory specified locations. Refer to the vehicle Owner's Manual. Prior to lowering the vehicle onto the stands, make sure the supports will securely contact the chassis.
- ! It is very important that the vehicle is properly supported during this installation to prevent personal injury and chassis damage! Make sure that the supports stands are properly placed prior to performing the following procedures. We DO NOT recommend using wheel ramps while performing this installation.

4. Slowly lower the vehicle onto the stands and, before placing the vehicle's entire weight on them, again check that they properly and securely contact the chassis as described above. Check for possible interference with any lines, wires, cables, or other easily damaged components.
 5. Remove the strut mounting bolt and the factory anti-sway bar from the vehicle. Remove the welded nut from the front side of the strut using a cold chisel and a hammer. Refer to fig 1.
 6. Remove the tow hook bracket. Place the main support bracket over the tow hook bracket and fasten the complete assembly to the original equipment location as shown in fig 2. Tighten the assembly to 23ft. lbs. Repeat this procedure on the other side of the vehicle.
 7. Fasten the end link bracket to the front of the lower strut as shown in fig 3. The bolt will go through the shock and control arm. Tighten the nut to 44ft. lbs. Repeat this procedure on the other side of the vehicle.
 8. Thoroughly lubricate the **inside** of you're hyperthane bushing using the grease provided. Place the lubricated bushing on you're new Suspension Techniques anti-sway bar. Refer to fig 4. as to the proper location of the bushing.
- ! WD-40™ is recommended to help remove excess lubricant. Re-greasing the pivot bushings should be performed at regular intervals. Climate and driving conditions will govern the time between services. Remember to check all hardware while performing bushing maintenance.
9. Place the pivot bushing brackets, provided in the kit, over each pivot bushing. Position the anti-sway bar on the vehicle as shown in fig 4. Fasten the pivot-bushing bracket to the main support brackets as shown in fig 5. Tighten the hardware to 18ft. lbs.
 10. Assemble the spherical bearings to the end link brackets as shown in fig 6. Tighten the nut to approximately 18 ft. lbs.
 11. Fasten the remaining end of the spherical bearing to the center hole in the ends of the anti-sway bar using the remaining hardware as shown in fig 5. Tighten the nut to 18ft. lbs. of torque. Tighten the spherical bearing jamb nuts against the female spherical bearings.
- ! All hardware being fastened to the vehicle's original fastening points should be torqued to the proper specifications. To prevent chassis damage, never over-torque the hardware.
12. Check that all components and fasteners have been properly installed, tightened and torqued. Refer to fig 7 for proper oversteer adjustment.
 13. Check brake hoses, steering and other components for any possible interference.
 14. Lift vehicle and remove support stands. Carefully lower vehicle to ground.
 15. Immediately test-drive the vehicle in a remote location so that you can become accustomed to the revised driving characteristics and handling. Be aware that the vehicle will handle substantially different now that it has been modified.
 16. Installation is complete. Check all of the hardware and re-torque at intervals for the first 10, 100, 1000 miles.

PARTS LIST FOR ANTI-SWAY BAR KIT

PART No.	DESCRIPTION	QTY.
51140-300	Rear Anti Sway Bar	1
113205	Pivot Bushing	2
114020	Bushing Bracket	2
51140-005	End Link Bracket	2
51140-003	Main Support Bracket	2
112288	10mm – 1.50 Ny Lock Nut	2
110625	3/8" SAE Washer	26
112094	3/8"-16 x 1.25 HHCS	4
112100	3/8"-16 x 1.75 HHCS	2
110255	3/8"-16 Ny Lock Nut	8
112040	10mm – 1.50 x 90mm HHCS	2
112532	7/16" Lock Washer	6
112106	3/8"-16 x 2.25" HHCS	2
112412	3/16" x 3/8" I.D. Bearing Spacer	8
112244	Male Spherical Bearing	2
112242	Fe-Male Spherical Bearing	2
112316	3/8"-24 Jam Nut	2
112028	10mm-1.25 x 40mm HHCS	6
55000-10	Grease Pack	1





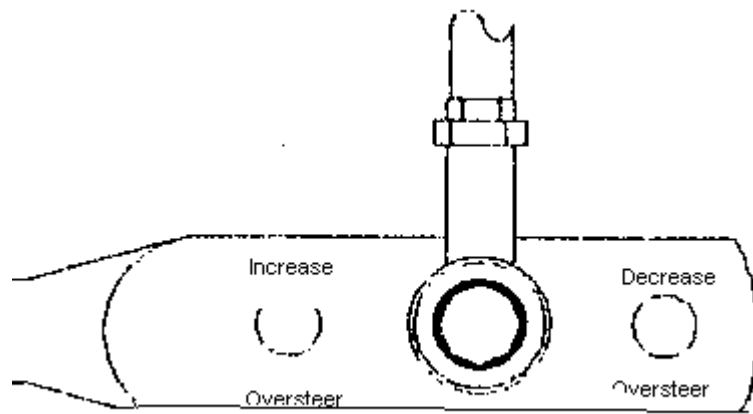
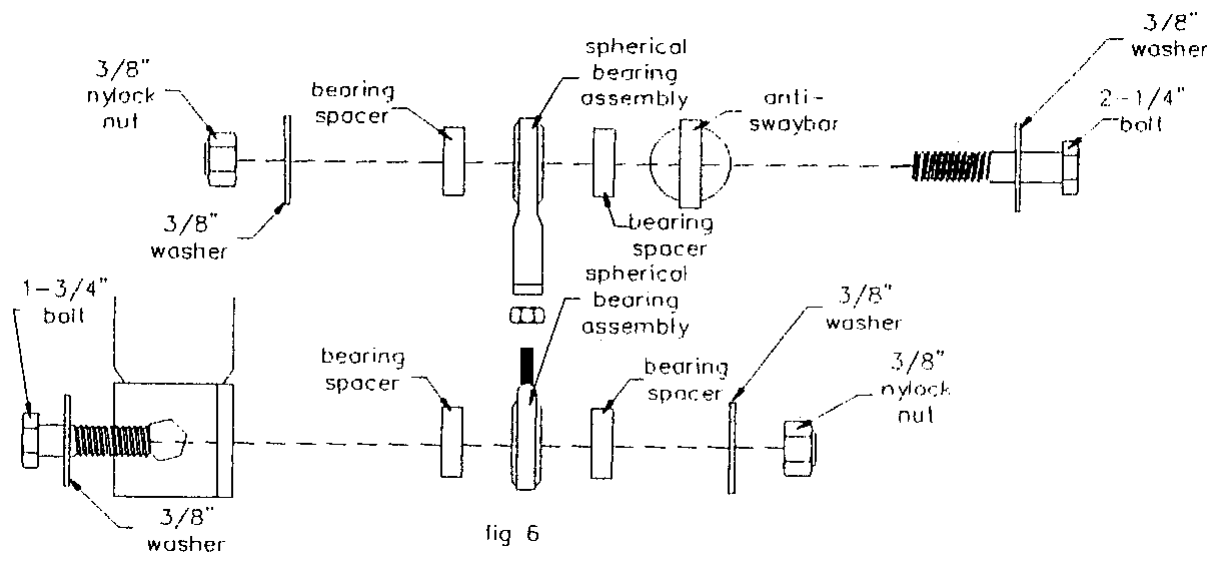


fig.7

