



SPYDER

WWW.SPYDERAUTO.COM

INSTALLATION GUIDE: PRO-YD-AI94-HL-(All)

Tools Needed:

- ¼" ratchet
- 10mm socket
- Phillips screwdriver



1. Remove (1x) phillips screw.



2. Unseat corner lamp.



3. Remove turn signal sockets.



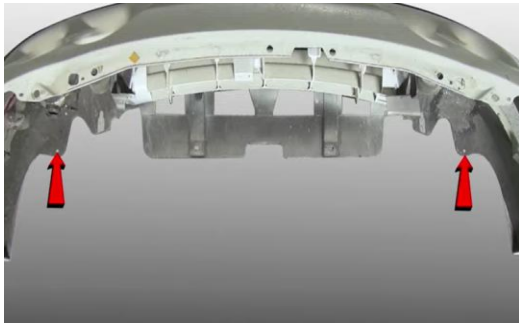
4. Remove (9x) phillips screws.



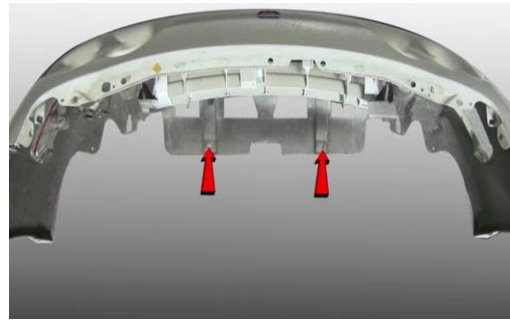
5. Remove (4x) 10mm bolts.



6. Remove (1x) phillips screw on each side of fascia.



7. Remove (2x) phillips screws on the underside of the fascia.



8. Remove (2x) 10mm bolts.



9. Unseat and remove front fascia.



10. Remove (4x) 10mm bolts securing headlight.



11. Unseat headlight.



12. Remove high and low beam bulbs and remove headlight.



13. Remove high beam bulb from socket.



14. For info on how to wire halos please refer to the Spyder FAQ playlist on the Spyder Auto YouTube channel.



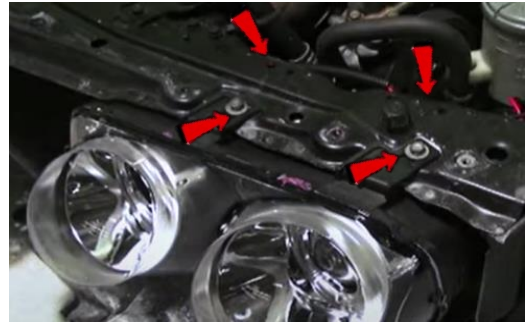
15. Connect high beam harness.



16. Seat Spyder headlight.



17. Insert low beam bulb.



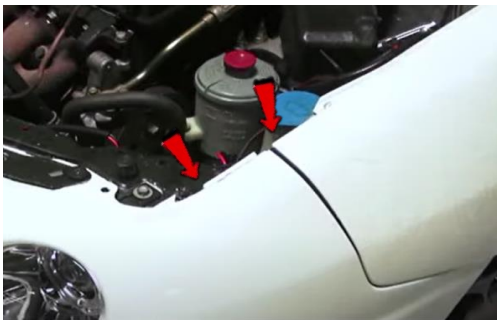
18. Reinstall (4x) 10mm bolts securing headlight.



19. Seat front fascia.



20. Reinstall support bracket and (9x) phillips screws.



21. Reinstall (2x) 10mm bolts on each side of the front fascia.



22. Reinstall (1x) phillips screw on each side of the front fascia.



23. Reinstall turn signal sockets into corner lamp.



24. Seat corner lamp.



25. Reinstall (1x) corner screw securing corner lamp.



26. Turn on lights and confirm all functions are working properly. You have successfully completed the install of your new Spyder Headlights.



SPYDER

WWW.SPYDERAUTO.COM

For further help with installation, please watch our installation video.

Follow the direct link below to our YouTube channel for more
information:

<http://www.youtube.com/watch>

DISCLAIMER

Spyder Auto Installation Guide is not liable for damages, injuries, and death while installing the product. This is intended to be an installation guide, to reduce installation time. We have no responsibility for improper installation. If you do not know how to install, please have a professional install it.