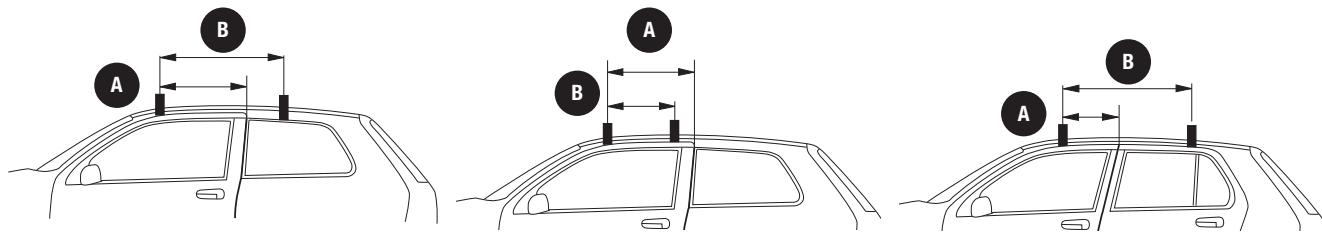
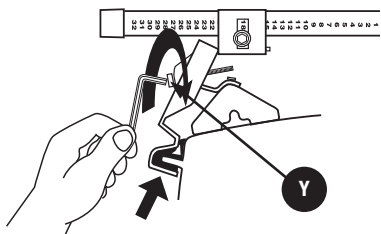


6



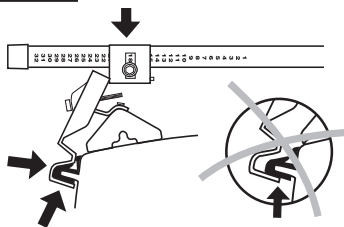
- Position the rack on your vehicle according to distance A and B indicated for your vehicle in the included fit chart.

7



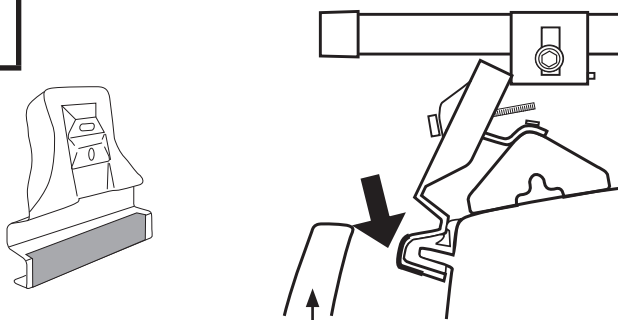
- Locate clamp plate and pad as shown. Tighten bolts Y alternately.

8



- Check all fittings are secure and correctly positioned.

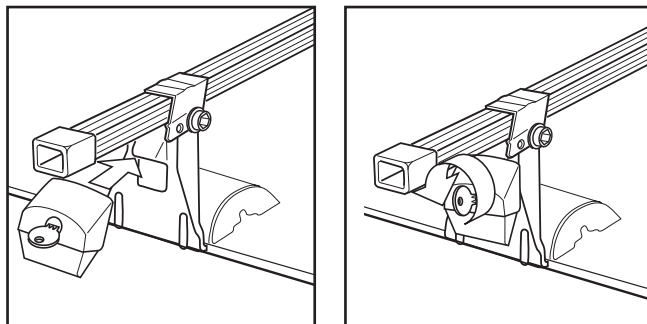
9



door / porte / puerta

- Stick protective adhesive on the clamp plate.

10



SPORTRACK GUIDELINES

When using SportRack Load carriers and accessories, the user must understand the precautions. The points listed below will assist you in using the rack system and will encourage safety.

- For quality fits and safety, use only the recommended rack or accessory as stated in SportRack's current Fit Guide. Do not assume a rack will fit, always check the current Fit Guide when obtaining a new vehicle.
- Unless stated otherwise in these instructions, do not carry more than 59 kg (130 lbs.) on SportRack load carriers. SportRack load carriers do not increase gutter or roof strength. SportRack can not warranty loads that exceed this limit. Total load = cargo weight plus weight of accessories used to carry cargo.
- Always make sure all doors are open when mounting a roof rack system. Make sure all knobs, bolts, screws, straps, and locks are firmly attached, tightened and locked before every trip. Knobs, bolts, screws, straps and locks must be periodically inspected for signs of wear, corrosion, and fatigue. Check your load at stops during the trip to ensure continued fastening security.
- Check local and state laws governing projection of objects beyond the perimeter of a vehicle. Be aware of the width and height of your cargo since low clearance branches, bridges, and parking garages can affect the load. All cargo will affect the vehicle's driving behavior. Never drive with any lock, knob or rack in an open or unlocked position. All long loads such as, but not limited to, sailboards, surfboards, kayaks, canoes, and lumber must be tied down front and rear to the bumpers or tow hooks of the vehicle.
- Remove your SportRack rack and accessories when they are not in use and before entering automatic car washes.
- All locks must be turned and moved periodically to ensure smooth operation. Use graphite or dry lubricant to help this. SportRack locks are designed to deter vandalism and theft but should not be considered theft proof. Remove valuable gear if your vehicle is unattended for an extended period. Place at least one key in the glove compartment.
- For safety to your vehicle and rack system, obey all posted speed limits and traffic cautions. Adapt your speed to the conditions of the road and the load being carried.
- Do not use SportRack load carriers and accessories for purposes other than those for which they were designed. Do not exceed their carrying capacity. Failure to follow these guidelines or the product's instructions will void the warranty.
- All loads must be secured using the provided straps.
- Consult with your SportRack dealer if you have any questions regarding the operations and limits of SportRack products. Review all instructions and warranty information carefully.
- Not for use on trailers or towed vehicles.
- Not for offroad use.
- Keep bicycle tires away from hot exhaust.





2013 COMPLETE ROOF RACK SYSTEM - SR1004 - FIT GUIDE

Vehicle Make and Model	Year	3D Adapter A21116									 Fit Tips
			Front	Rear	A		B		Lbs	Kg	
					inch	mm	inch	mm			

ACURA											
Integra 3DR	86-89		18	17	19 3/4	502	17 3/4	451	130	59	1c
Integra 3DR	86-89	✓	17	17	20 1/2	521	16 1/2	419	130	59	3u, 9o
Legend 4DR	86-90		21	19	9 3/4	248	27 1/2	699	130	59	
ALFA ROMEO											
164 4dr	88-98		22	20	16 1/4	413	33 1/2	851	130	59	4i
CHEVROLET											
Lumina 4DR	95-99		25	23	11	279	26 3/4	679	130	59	
Monte Carlo 2DR	95-99		28	26	23 1/4	591	19 3/4	502	130	59	1c
Monte Carlo 2DR	95-99	✓	28	26	20 1/2	521	17 3/4	451	130	59	9o
Sprint 3DR	89-94		13	10	21 1/4	540	18 1/2	470	90	41	1c
Sprint 3DR	89-94	✓	13	13	19	483	13 3/4	349	90	41	9o
Sprint 4DR	89-94		12	11	11	279	24 3/4	629	130	59	
Sprint 5DR	89-94		12	11	11	279	24 3/4	629	90	41	
CHRYSLER											
Cirrus 4DR	95-00		28	25	10 1/4	260	22 3/4	578	130	59	
Daytona	84-93		21	21	18	457	16 1/2	419	130	59	1d
Daytona T-Top	84-93		31	31	18	457	16 1/2	419	130	59	1d, 3m
Dynasty 4DR	88-93		28	27	11 3/4	298	27 1/2	699	130	59	
Le Baron 2DR	87-95		16	14	20 3/4	527	17 3/4	451	130	59	1b, 1d
Le Baron 4DR	90-94		21	19	9 3/4	248	27 1/2	699	130	59	
Le Baron GTS	85-89		21	19	11 3/4	298	27 1/2	699	130	59	
Neon 4DR	00-04		18	15	12 1/2	318	23 1/2	597	130	59	
New Yorker 4DR	88-93		28	27	11 3/4	298	27 1/2	699	130	59	
New Yorker Fifth Avenue 4DR	90-93		28	27	11 3/4	298	27 1/2	699	130	59	
Sebring 4DR	01-06	✓	27	24	11 3/4	298	15 3/4	400	90	41	3x, 9o
Town & Country	96-01		26	26	5	127	31 1/2	800	130	59	1i
DODGE											
Caravan	96-01		26	26	5	127	31 1/2	800	105	48	1i
Caravan / Grand Caravan	96-01		26	26	5	127	31 1/2	800	130	59	1i
Colt 200 3DR	89-92		18	14	20 1/2	521	17 1/4	438	130	59	1c
Colt 200 3DR	89-92	✓	15	11	17	432	13	330	130	59	9o
Daytona 3DR	84-93		21	21	18	457	16 1/2	419	130	59	1d
Dynasty	88-93		28	27	11 3/4	298	27 1/2	699	130	59	
Lancer 5DR	85-89		21	19	11 3/4	298	27 1/2	699	130	59	
Neon 4DR	00-04		18	15	12 1/2	318	23 1/2	597	130	59	
Shadow 3DR	87-94	✓	22	21	19 3/4	502	17 3/4	451	130	59	1c
Shadow 3DR	87-94		20	22	19 3/4	502	15 1/4	387	130	59	9o
Shadow 5DR	87-94		21	19	10 1/4	260	24 3/4	629	130	59	
Spirit 4DR	88-95		21	19	9 3/4	248	27 1/2	699	130	59	
Stratus 4DR	95-99		28	25	10 1/4	260	22 3/4	578	130	59	
SX 2.0 4DR	03-05		18	15	12 1/2	318	23 1/2	597	130	59	



2013 COMPLETE ROOF RACK SYSTEM - SR1004 - FIT GUIDE

Vehicle Make and Model	Year	3D Adapter A21116								
			Front	Rear	A		B		Weight Limit	
			inch	mm	inch	mm	Lbs	Kg	Fit Tips	

EAGLE											
Summit 3DR	89-92		18	14	20 1/2	521	17 1/4	438	130	59	1c
Summit 3DR	89-92	✓	15	11	17	432	13	330	130	59	9o
GEO											
Metro 3DR	89-94		13	10	21 1/4	540	18 1/2	470	130	59	1c
Metro 3DR	89-94	✓	13	13	19	483	13 3/4	349	130	59	9o
Metro 4DR	89-94		12	11	11	279	24 3/4	629	130	59	
Metro 5DR	89-94		12	11	11	279	24 3/4	629	130	59	
HONDA											
Accord 2DR	86-89	✓	19	19	19 3/4	502	15 3/4	400	130	59	9o
Accord 3DR	86-89	✓	18	18	20 1/2	521	13	330	130	59	9o
Accord 4DR	86-89		20	20	9 3/4	248	27 1/2	699	130	59	
Passport	90-97		28	28	14 1/4	362	31 1/2	800	130	59	1b, 1i
HYUNDAI											
Elantra 4DR	92-95		17	15	9 3/4	248	23 1/2	597	105	48	
Excel 3DR	86-89	✓	10	10	20 1/2	521	11 3/4	298	105	48	9o
Excel 4DR	90-94		12	12	11 3/4	298	27 1/2	699	105	48	1b, 3u
Excel 5DR	86-89		11	11	11	279	27 1/2	699	130	59	
Sonata 4DR	89-93		21	19	11 3/4	298	27 1/2	699	105	48	
INFINITI											
G20 4DR	91-96		22	20	13 3/4	349	25 1/2	648	130	59	
ISUZU											
Hombre	96-97		29	29					130	59	
Pickup	81-95		29	29					130	59	
Rodeo 5DR	90-97		28	28	14 1/4	362	31 1/2	800	130	59	1b, 1i
Stylus 4DR	92-95		21	18	9 1/4	235	23 1/4	591	130	59	4i
MAZDA											
929 4DR	88-91		25	24	11 3/4	298	27 1/2	699	130	59	
MITSUBISHI											
Colt 3DR	89-92		18	14	20 1/2	521	17 1/4	438	130	59	1c
Colt 3DR	89-92	✓	15	11	17	432	13	330	130	59	9o
Mirage 3DR	89-92		18	14	20 1/2	521	17 1/4	438	130	59	1c
Mirage 4DR	89-92	✓	15	11	17	432	13	330	130	59	9o
NISSAN											
200 SX 2DR	95-98		19	18	19 3/4	502	15 3/4	400	130	59	1d
Axxess 5DR	89-95		24	23	9 3/4	248	27 1/2	699	130	59	4i
Costaud	87-97		29	28	19 3/4	502	17	432	130	59	1d
Costaud King Cab	87-97		29	28	19 3/4	502	17	432	130	59	1c
Costaud King Cab	87-97	✓	30	29	18 1/2	470	13 3/4	349	130	59	9o
Frontier 4DR Crew Cab	00-04		29	28	11 3/4	298	27 1/2	699	105	48	4i
Maxima 4DR	89-94		25	23	11 3/4	298	25 1/2	648	90	41	
Multi 5DR	82-88		28	27	7 3/4	197	27 1/2	699	130	59	
Pathfinder 5DR	90-96		32	32	20 1/2	521	17 3/4	451	80	36	1b, 1i



2013 COMPLETE ROOF RACK SYSTEM - SR1004 - FIT GUIDE

Vehicle Make and Model	Year	3D Adapter A21116								
			Front	Rear	A		B		Weight Limit	
			inch	mm	inch	mm	Lbs	Kg	Fit Tips	

NISSAN (continued - suite - consecuencia)

Pickup	87-97		29	28	19 3/4	502	17	432	130	59	1d
Pickup King Cab	87-97		29	28	19 3/4	502	17	432	130	59	1c
Pickup King Cab	87-97	✓	30	29	18 1/2	470	13 3/4	349	130	59	9o
Sentra 2DR	91-95		17	15	19 3/4	502	17 3/4	451	130	59	1c
Sentra 2DR	91-95	✓	18	14	19 3/4	502	15	381	90	41	4i, 9o
Sentra 4DR	95-99		17	17	11 3/4	298	23 1/2	597	90	41	
Sentra 4DR	91-94		16	15	11 3/4	298	24 3/4	629	130	59	

OLDSMOBILE

Alero 2DR	99-05		20	20	25 1/2	648	21 3/4	552	105	48	
Alero 4DR	99-05		19	21	9 3/4	248	23 1/2	597	105	48	

PLYMOUTH

Acclaim 4DR	88-95		21	19	9 3/4	248	27 1/2	699	130	59	
Breeze 4DR	96-99		28	25	10 1/4	260	22 3/4	578	130	59	
Colt 200 3DR	89-92		18	14	20 1/2	521	17 1/4	438	130	59	1c
Colt 200 3DR	89-92	✓	15	11	17	432	13	330	130	59	9o
Duster 3DR	87-94		22	21	19 3/4	502	17 3/4	451	130	59	1c
Duster 3DR	87-94	✓	20	22	19 3/4	502	15 1/4	387	130	59	9o
Duster 5DR	87-94		21	19	10 1/4	260	24 3/4	629	130	59	
Grand Voyager	96-99		26	26	5	127	31 1/2	800	130	59	1i
Laser 3DR	84-86		21	21	18	457	16 1/2	419	130	59	1d
Neon 4DR	00-01		18	15	12 1/2	318	23 1/2	597	130	59	
Sundance 3DR	87-94		22	21	19 3/4	502	17 3/4	451	130	59	1c
Sundance 3DR	87-94	✓	20	22	19 3/4	502	15 1/4	387	130	59	9o
Sundance 5DR	87-94		21	19	10 1/4	260	24 3/4	629	130	59	
Voyager	96-00		26	26	5	127	31 1/2	800	105	48	1i

PONTIAC

Firefly 3DR	89-94		13	10	21 1/4	540	18 1/2	470	90	41	1c
Firefly 3DR	89-94	✓	13	13	19	483	13 3/4	349	90	41	9o
Firefly 4DR	89-94		12	11	11	279	24 3/4	629	90	41	
Firefly 5DR	89-94		12	11	11	279	24 3/4	629	130	59	
Grand Am 2DR	99-05		19	19	23 1/2	597	21 1/4	540	105	48	
Grand Am 2DR	99-04	✓	19	19	21 3/4	552	13 3/4	349	130	59	
Grand Am 4DR	99-05		19	21	9 3/4	248	23 1/2	597	105	48	

SAAB

9000 4DR	84-97		22	20	16 1/4	413	33 1/2	851	130	59	4i
9000 5DR	84-98		22	20	16 1/4	413	33 1/2	851	130	59	4i

SUZUKI

Swift 3DR	89-94		13	10	21 1/4	540	18 1/2	470	90	41	1c
Swift 3DR	89-94	✓	13	13	19	483	13 3/4	349	130	59	9o
Swift 4DR	89-94		12	11	11	279	24 3/4	629	90	41	
Swift 5DR	89-94		12	11	11	279	24 3/4	629	130	59	



2013 COMPLETE ROOF RACK SYSTEM - SR1004 - FIT GUIDE

Vehicle Make and Model	Year	3D Adapter A21116										
			Front	Rear	A		B		Weight Limit			
					inch	mm	inch	mm	Lbs	Kg		

TOYOTA

Vehicle Make and Model	Year	3D Adapter	Front (in)	Rear (in)	A (in)	A (mm)	B (in)	B (mm)	Weight Limit (Lbs)	Weight Limit (Kg)	Fit Tips
4Runner 5DR	90-02		27	27	11 3/4	298	27 1/2	699	90	41	
Corolla GTS 2DR	85-91		13	13	17 3/4	451	15	381	130	59	1c
Corolla GTS 2DR	85-91	✓	11	13	14 1/4	362	11 1/2	292	130	59	9o
Corolla SR5 2DR	85-91		13	13	17 3/4	451	15	381	130	59	1c
Corolla SR5 2DR	85-91	✓	11	13	14 1/4	362	11 1/2	292	130	59	9o
Pickup Xtra Cab	89-95		24	24	19 1/4	489	15 3/4	400	130	59	1c
Pickup Xtra Cab	89-95	✓	27	26	15 3/4	400	11 3/4	298	130	59	9o

FIT TIPS

- 1a Do not exceed the maximum load recommended by the car manufacturer.
- 1b Do not load large, long, or heavy objects on rack (furniture, boats, sailboards, car top boxes, etc...).
- 1c Skis and/or snowboards only. The 2 door short roof adapter is required for any other loads. See other fit for this vehicle on next line.
- 1d Skis and/or snowboards only.
- 1g For models with hard top only.
- 1i For vehicles without factory installed roof racks only.
- 3b Install hook in groove above door.
- 3c Insert hook between rubber molding and solid roof detail (use a plastic card, calling card type, to gently pry molding away from vehicle).
- 3h Separate rubber molding from roof sill, insert hook on sill, then reposition molding.
- 3m Anchor to roof edge.
- 3u Attachment mechanism must be extremely tight to secure bar on roof.
- 3x Tighten bars until they are firm. Do not over tighten as overtightening may deform roof.
- 3y Both sides of the bar must be tightened simultaneously.
- 4i Hold the hook while tightening the mechanism.
- 4j Tighten until the hook deforms. The deformation must be big enough so that the rubbered surface of the hook is fully in contact with the car anchoring surface.
- 4l Insert hook between rubber molding and plastic or chromed molding.
- 5f Install hook at manufacturer's recommended point of attachment.
- 9b Sun roof will not open.
- 9d Remove rack when not in use: the rubber door seal or trim may deform under prolonged contact with any roof rack brackets.
- 9o The 2 door short roof adapter is required for any load other than skis and/or snowboards.
- 9q Skis and/or snowboards and bicycles only.
- 10a If your vehicle has factory crossbars, you do not need to purchase an additional rack system.
- 10b Factory crossbars are required to fit boxes and bags to this vehicle. Please contact your auto manufacturer to purchase these crossbars.





2013 COMPLETE ROOF RACK SYSTEM - SR1005 - FIT GUIDE

Vehicle Make and Model	Year	3D Adapter A21116							 Weight Limit		 Fit Tips	
			Front	Rear	A		B		Lbs	Kg		
					inch	mm	inch	mm				

BUICK											
Regal 4DR	88-96		28	28	11 3/4	298	26	660	90	41	
Riviera 2DR	86-94		32	31	21 3/4	552	18	457	130	59	1b
CADILLAC											
Eldorado 2DR	86-91		32	32	23 1/4	591	20 3/4	527	130	59	1b
Seville 4DR	92-04		27	26	11	279	25 1/2	648	130	59	
Seville 4DR	86-91		32	32	11 3/4	298	27 1/2	699	130	59	
Seville SLS 4DR	92-04		27	26	11	279	25 1/2	648	130	59	
Seville STS 4DR	92-04		27	26	11	279	25 1/2	648	130	59	
CHEVROLET											
Cavalier 2DR	95-05		20	20	21 3/4	552	18 1/2	470	90	41	1c
Cavalier 2DR	95-05	✓	19	22	19 3/4	502	17 1/4	438	90	41	9o
Cavalier 4DR	95-05		15	13	8 1/4	210	25 1/2	648	130	59	
Colorado	04-12		20	20	17 3/4	451	27 1/2	699	105	48	
Corsica 4DR	88-96		27	24	10 1/4	260	23 1/2	597	130	59	
Lumina 4DR	89-94		32	31	9 3/4	248	25 1/2	648	130	59	
CHRYSLER											
300M 4DR	99-04		30	29	9 3/4	248	24 3/4	629	130	59	3u
Imperial 4DR	89-93		29	26	11 3/4	298	27 1/2	699	130	59	
Intrepid 4DR	98-05		30	29	9 3/4	248	24 3/4	629	130	59	3u
PT Cruiser	01-10		26	23	7 3/4	197	27 1/2	699	130	59	1a 1i, 3x
DODGE											
Colt 3DR	79-88		9	8	19 3/4	502	15 3/4	400	130	59	1c
Colt 3DR	79-88	✓	10	10	18 1/2	470	14 1/2	368	130	59	9o
Colt 4DR	79-88		9	9	11 1/2	292	27 1/2	699	130	59	1b
Colt 100 3DR	89-92		9	8	19 3/4	502	15 3/4	400	130	59	1c
Colt 100 3DR	89-92	✓	10	10	18 1/2	470	14 1/2	368	130	59	9o
Colt 100 4DR	89-92		9	9	11 1/2	292	27 1/2	699	130	59	1b
Intrepid 4DR	98-02		30	29	9 3/4	248	24 3/4	629	130	59	3u
EAGLE											
Vista 3DR	89-92		9	8	19 3/4	502	15 3/4	400	130	59	1c
Vista 3DR	89-92	✓	10	10	18 1/2	470	14 1/2	368	130	59	9o
Vista 4DR	89-92		9	9	11 1/2	292	27 1/2	699	130	59	1b
FORD											
Thunderbird	89-97		32	30	17	432	13 3/4	349	130	59	1c
Thunderbird	89-97	✓	30	31	16 1/4	413	11	279	130	59	9o
GMC											
Canyon	04-12		20	20	17 3/4	451	27 1/2	699	105	48	
HONDA											
Prelude 2DR	88-91	✓	18	17	20	508	13	330	105	48	9o
HYUNDAI											
Elantra 4DR	96-00		19	19	10 3/4	273	24 1/2	622	90	41	
Excel 4DR	86-89		11	11	11 3/4	298	27 1/2	699	105	48	



2013 COMPLETE ROOF RACK SYSTEM - SR1005 - FIT GUIDE

Vehicle Make and Model	Year	3D Adapter A21116									 Fit Tips
			Front	Rear	A		B		Lbs	Kg	
					inch	mm	inch	mm			

INFINITI											
G20 4DR	99-01		22	20	11 3/4	298	23 1/2	597	130	59	
I30 4DR	96-99		22	22	9 3/4	248	23 1/2	597	130	59	
LEXUS											
GS 300 4DR	93-97		27	28	7 3/4	197	27 1/2	699	130	59	
LS 400 4DR	90-94		28	27	11 3/4	298	26	660	130	59	
SC 300 2DR	92-99		23	22	19 1/4	489	15 3/4	400	130	59	1c
SC 300 2DR	92-99	✓	24	23	17 1/4	438	14 1/4	362	130	59	9o
SC 400 2DR	92-99		23	22	19 1/4	489	15 3/4	400	130	59	1c
SC 400 2DR	92-99	✓	24	23	17 1/4	438	14 1/4	362	130	59	9o
LINCOLN											
Mark VIII 2DR	93-98		27	26	17 1/4	438	14 1/4	362	130	59	1c
Mark VIII 2DR	93-98	✓	28	28	17 1/4	438	14 1/2	368	130	59	4i, 9o
MERCURY											
Cougar 2DR	89-97		32	30	17	432	13 3/4	349	130	59	1c
Cougar 2DR	89-97	✓	30	31	16 1/4	413	11	279	130	59	9o
MITSUBISHI											
Colt 3DR	79-88		9	8	19 3/4	502	15 3/4	400	130	59	1c
Colt 3DR	79-88	✓	10	10	18 1/2	470	14 1/2	368	130	59	9o
Colt 4DR	79-88		9	9	11 1/2	292	27 1/2	699	130	59	1b
Mirage 3DR	79-88		9	8	19 3/4	502	15 3/4	400	130	59	1c
Mirage 3DR	79-88	✓	10	10	18 1/2	470	14 1/2	368	130	59	9o
Mirage 4DR	79-88		9	9	11 1/2	292	27 1/2	699	130	59	1b
NISSAN											
200 SX 3DR	84-88		17	16	20 1/2	521	16 1/2	419	130	59	1d
Altima 4DR	98-01		26	22	11 3/4	298	23 1/2	597	130	59	3x
Altima 4DR	93-97		18	17	9 3/4	248	22 1/2	572	130	59	
Frontier 2DR Standard Cab	98-04	✓	30	27	17 3/4	451	13 3/4	349	130	59	9o
Maxima 4DR	95-99		24	22	11	279	24 1/2	622	105	48	
Sentra 4DR	00-06		19	15	13 3/4	349	23 1/2	597	130	59	
Stanza 5DR	87-89		21	21	9 3/4	248	27 1/2	699	130	59	
OLDSMOBILE											
Cutlass Supreme 4DR	89-97		28	28	11 3/4	298	26	660	90	41	
LSS 4DR	96-98		28	28	11 3/4	298	26	660	130	59	
Toronado 2DR	86-89	✓	30	29	20 1/2	521	17	432	130	59	
Trofeo 2DR	87-89	✓	30	29	20 1/2	521	17	432	130	59	
PLYMOUTH											
Colt 3DR	79-88		9	8	19 3/4	502	15 3/4	400	130	59	1c
Colt 3DR	79-88	✓	10	10	18 1/2	470	14 1/2	368	130	59	9o
Colt 4DR	79-88		9	9	11 1/2	292	27 1/2	699	130	59	1b
Colt 100 3DR	89-92		9	8	19 3/4	502	15 3/4	400	130	59	1c
Colt 100 3DR	89-92	✓	10	10	18 1/2	470	14 1/2	368	130	59	9o
Colt 100 4DR	89-92		9	9	11 1/2	292	27 1/2	699	130	59	1b



2013 COMPLETE ROOF RACK SYSTEM - SR1005 - FIT GUIDE

Vehicle Make and Model	Year	3D Adapter A21116									 Fit Tips
			Front	Rear	A		B		Lbs	Kg	
					inch	mm	inch	mm			

PONTIAC											
Grand Prix 4DR	88-96		28	28	11 3/4	298	26	660	130	59	
Sunfire 2DR	95-04		20	20	21 3/4	552	18 1/2	470	130	59	1c
Sunfire 2DR	95-04	✓	19	22	19 3/4	502	17 1/4	438	130	59	9o
Sunfire 4DR	95-04		15	13	8 1/4	210	25 1/2	648	130	59	
Tempest 4DR	88-91		27	24	10 1/4	260	23 1/2	597	130	59	
SAAB											
9-3 5DR	99-01		18	16	13	330	28 3/4	730	130	59	4i
900 3DR	94-98		18	16	13	330	28 3/4	730	130	59	4i
900 5DR	94-98		18	16	13	330	28 3/4	730	130	59	4i
TOYOTA											
4Runner 3DR	90-98	✓	25	27	15 3/4	400	12 1/2	318	90	41	9o
Camry 2DR	92-96		26	26	23 1/2	597	18 1/2	470	130	59	1c
Camry 2DR	92-96	✓	26	25	20 1/2	521	14 1/2	368	130	59	9o
Camry 4DR	97-01		26	25	11 3/4	298	25 1/2	648	130	59	4i
Camry 4DR	92-96		26	26	11	279	25 1/2	648	130	59	
Camry Wagon	92-97		26	26	11	279	25 1/2	648	130	59	1i
Tacoma 2DR	96-00	✓	28	27	18 1/2	470	11 3/4	298	130	59	4i, 9o
Tacoma 4DR Double Cab	01-04		18	20	11 3/4	298	31 1/2	800	130	59	4i

FIT TIPS

- 1a Do not exceed the maximum load recommended by the car manufacturer.
- 1b Do not load large, long, or heavy objects on rack (furniture, boats, sailboards, car top boxes, etc...).
- 1c Skis and/or snowboards only. The 2 door short roof adapter is required for any other loads. See other fit for this vehicle on next line.
- 1d Skis and/or snowboards only.
- 1g For models with hard top only.
- 1i For vehicles without factory installed roof racks only.
- 3b Install hook in groove above door.
- 3c Insert hook between rubber molding and solid roof detail (use a plastic card, calling card type, to gently pry molding away from vehicle).
- 3h Separate rubber molding from roof sill, insert hook on sill, then reposition molding.
- 3m Anchor to roof edge.
- 3u Attachment mechanism must be extremely tight to secure bar on roof.
- 3x Tighten bars until they are firm. Do not over tighten as overtightening may deform roof.
- 3y Both sides of the bar must be tightened simultaneously.
- 4i Hold the hook while tightening the mechanism.
- 4j Tighten until the hook deforms. The deformation must be big enough so that the rubbered surface of the hook is fully in contact with the car anchoring surface.
- 4l Insert hook between rubber molding and plastic or chromed molding.
- 5f Install hook at manufacturer's recommended point of attachment.
- 9b Sun roof will not open.
- 9d Remove rack when not in use: the rubber door seal or trim may deform under prolonged contact with any roof rack brackets.
- 9o The 2 door short roof adapter is required for any load other than skis and/or snowboards.
- 9q Skis and/or snowboards and bicycles only.
- 10a If your vehicle has factory crossbars, you do not need to purchase an additional rack system.
- 10b Factory crossbars are required to fit boxes and bags to this vehicle. Please contact your auto manufacturer to purchase these crossbars.

