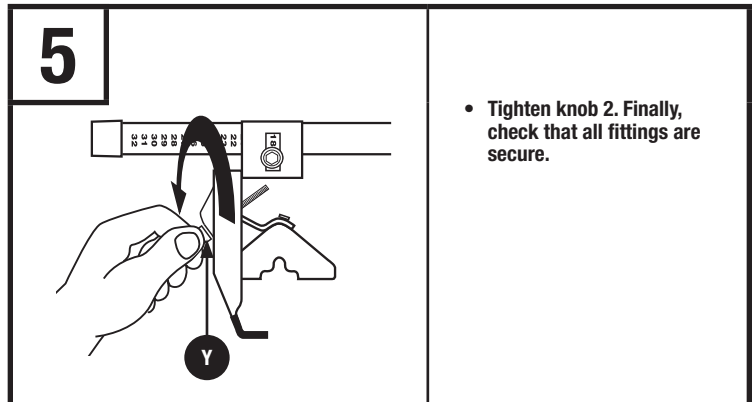
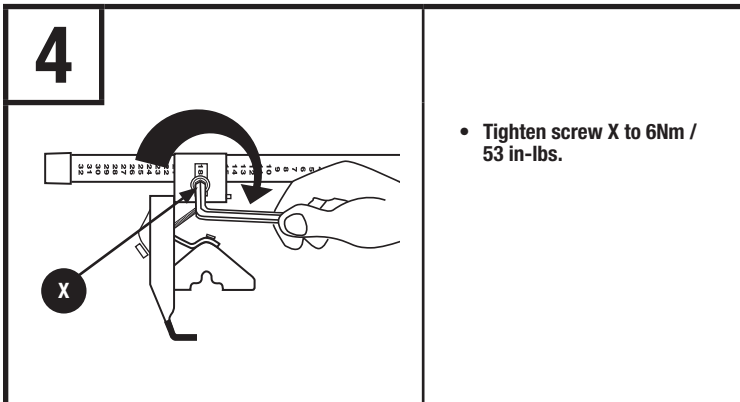
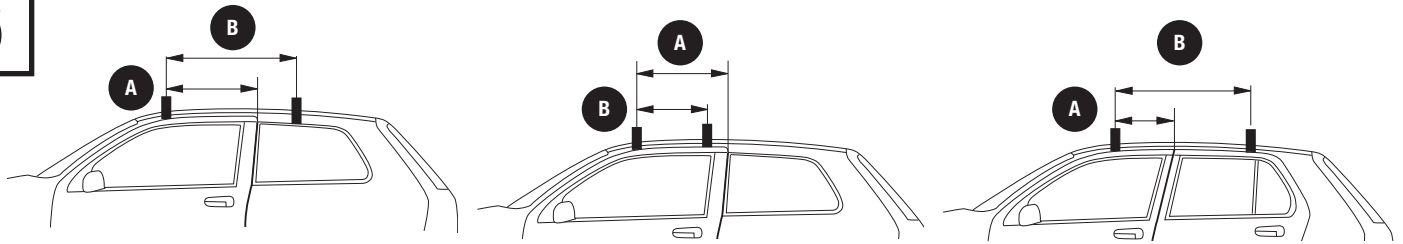
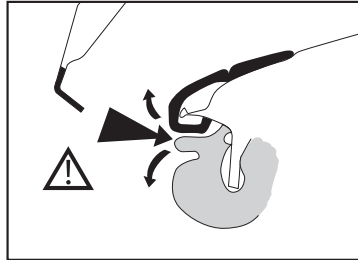
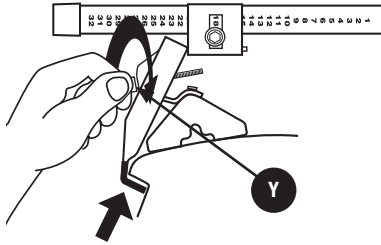


- Using the included fit chart, adjust foot positions to the numbers for your vehicle. Use "Front" dimensions for front bar and "Rear" for rear bar.



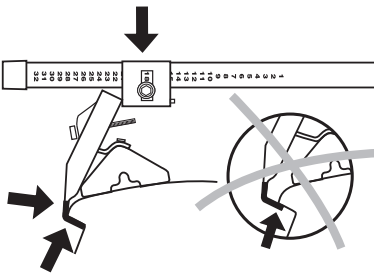
6

- Position the rack on your vehicle according to distance A and B indicated for your vehicle in the included fit chart.

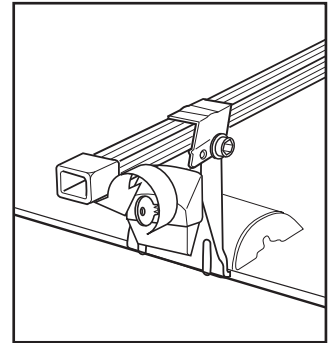
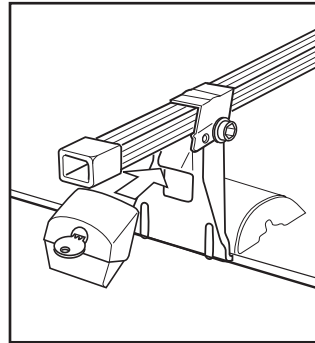
7

CHEVROLET Camaro
PONTIAC Firebird 93-95

- Locate clamp plate and pad as shown. Tighten bolts Y alternately.

8

- Check all fittings are secure and correctly positioned.

9

SPORTRACK GUIDELINES

When using SportRack Load carriers and accessories, the user must understand the precautions. The points listed below will assist you in using the rack system and will encourage safety.

- For quality fits and safety, use only the recommended rack or accessory as stated in SportRack's current Fit Guide. Do not assume a rack will fit, always check the current Fit Guide when obtaining a new vehicle.
- Unless stated otherwise in these instructions, do not carry more than 59 kg (130 lbs.) on SportRack load carriers. SportRack load carriers do not increase gutter or roof strength. SportRack can not warranty loads that exceed this limit. Total load = cargo weight plus weight of accessories used to carry cargo.
- Always make sure all doors are open when mounting a roof rack system. Make sure all knobs, bolts, screws, straps, and locks are firmly attached, tightened and locked before every trip. Knobs, bolts, screws, straps and locks must be periodically inspected for signs of wear, corrosion, and fatigue. Check your load at stops during the trip to ensure continued fastening security.
- Check local and state laws governing projection of objects beyond the perimeter of a vehicle. Be aware of the width and height of your cargo since low clearance branches, bridges, and parking garages can affect the load. All cargo will affect the vehicle's driving behavior. Never drive with any lock, knob or rack in an open or unlocked position. All long loads such as, but not limited to, sailboards, surfboards, kayaks, canoes, and lumber must be tied down front and rear to the bumpers or tow hooks of the vehicle.
- Remove your SportRack rack and accessories when they are not in use and before entering automatic car washes.
- All locks must be turned and moved periodically to ensure smooth operation. Use graphite or dry lubricant to help this. SportRack locks are designed to deter vandalism and theft but should not be considered theft proof. Remove valuable gear if your vehicle is unattended for an extended period. Place at least one key in the glove compartment.
- For safety to your vehicle and rack system, obey all posted speed limits and traffic cautions. Adapt your speed to the conditions of the road and the load being carried.
- Do not use SportRack load carriers and accessories for purposes other than those for which they were designed. Do not exceed their carrying capacity. Failure to follow these guidelines or the product's instructions will void the warranty.
- All loads must be secured using the provided straps.
- Consult with your SportRack dealer if you have any questions regarding the operations and limits of SportRack products. Review all instructions and warranty information carefully.
- Not for use on trailers or towed vehicles.
- Not for offroad use.
- Keep bicycle tires away from hot exhaust.





2013 COMPLETE ROOF RACK SYSTEM - SR1002 - FIT GUIDE

Vehicle Make and Model	Year	3D Adapter A21116									 Fit Tips
			Front	Rear	A		B		Lbs	Kg	
					inch	mm	inch	mm			

ACURA											
CL 2DR	01-06	✓	23	18	17 3/4	451	19 3/4	502	90	41	4i, 9o
CL 2DR	97-00		9	7	22 1/2	572	19 3/4	502	130	59	1c
CL 2DR	97-00	✓	9	11	15 3/4	400	13 3/4	349	130	59	9o
CSX 4DR	06-11		21	20	10	254	25	635	90	41	
Legend 2DR	91-96		12	11	17 3/4	451	16 1/4	413	130	59	1c
Legend 2DR	91-96	✓	12	13	19	483	16 1/4	413	130	59	3u, 9o
Legend 4DR	91-96		15	15	7 3/4	197	23 1/2	597	130	59	
RL 4DR	96-00		19	19	13	330	27 1/2	699	90	41	
SLX 5DR	96-01		27	27	11 3/4	298	27 1/2	699	130	59	1i
TL 4DR	04-08		15	15	9 3/4	248	21 3/4	552	105	48	4i
TL 4DR	99-03		17	14	11 3/4	298	23 1/2	597	90	41	4i
TSX 4DR	04-08		18	18	9 3/4	248	21 3/4	552	105	48	4i
TSX 4DR	04-08				9 3/4	248	21 3/4	552	105	48	4i
AUDI											
80 4DR	92-95		9	9	11 3/4	298	27 1/2	699	130	59	9d
90 4DR	92-95		9	9	11 3/4	298	27 1/2	699	130	59	9d
100 4DR	92-95		15	14	11 1/2	292	27 1/2	699	130	59	
200 Wagon	88-92		13	9	9 3/4	248	27 1/2	699	130	59	1i
A4 4DR	02-05		16	12	15	381	26 3/4	679	130	59	4i
A4 4DR	95-01		9	9	11 3/4	298	27 1/2	699	105	48	9d
A6 4DR	95-97		15	14	11 1/2	292	27 1/2	699	130	59	10a
S4 4DR	92-95		15	14	11 1/2	292	27 1/2	699	130	59	
S4 4DR	95-01		9	9	11 3/4	298	27 1/2	699	105	48	9d
S6 4DR	95-97		15	14	11 1/2	292	27 1/2	699	130	59	
BMW											
3 Series 4DR	06-11		14	12	11 3/4	298	23 1/2	597	130	59	
3 Series 4DR	99-05		14	12	11 3/4	298	23 1/2	597	130	59	
3 Series 4DR	92-98		14	12	11 3/4	298	23 1/2	597	130	59	
5 Series 4DR	88-95		17	16	11 3/4	298	27 1/2	699	130	59	
5 Series Wagon	92-95		14	12	7 3/4	197	27 1/2	699	130	59	1i
7 Series 4DR	95-01		16	16	11 3/4	298	27 1/2	699	130	59	
7 Series 4DR	86-94		18	19	11 3/4	298	27 1/2	699	130	59	
BUICK											
Allure 4DR	05-08		20	13	9 3/4	248	21 3/4	552	130	59	4i
Century 4DR	97-05		12	10	9 3/4	248	25 1/2	648	130	59	3u
Century 4DR	82-96		22	21	9 3/4	248	27 1/2	699	130	59	
Century Wagon	84-96		22	21	9 3/4	248	27 1/2	699	130	59	1i
Electra 4DR	85-90		32	32	11 3/4	298	27 1/2	699	130	59	3x
Lacrosse 4DR	05-08		20	13	9 3/4	248	21 3/4	552	130	59	4i
Le Sabre 2DR	86-91		30	30	21 3/4	552	19 3/4	502	130	59	1b
Le Sabre 4DR	92-99		25	23	11 3/4	298	27 1/2	699	130	59	
Park Avenue 4DR	91-96		25	25	10 1/4	260	27 1/2	699	130	59	3x



2013 COMPLETE ROOF RACK SYSTEM - SR1002 - FIT GUIDE

Vehicle Make and Model	Year	3D Adapter A21116									
			Front	Rear	A		B		Lbs	Kg	
					inch	mm	inch	mm			

BUICK (continued - suite - consecuencia)

Regal 4DR	97-02		12	10	9 3/4	248	25 1/2	648	130	59	3u
-----------	-------	--	----	----	-------	-----	--------	-----	-----	----	----

CADILLAC

Eldorado 2DR	92-03	✓	21	20	19 3/4	502	15 1/4	387	130	59	4i, 4i, 9o
--------------	-------	---	----	----	--------	-----	--------	-----	-----	----	------------

CHEVROLET

Aveo 4DR	04-11		14	12	11 3/4	298	27 1/2	699	90	41	4i
Aveo 5DR	04-11		14	12	11 3/4	298	27 1/2	699	90	41	4i
Blazer 5DR	91-94		16	16	1 1/4	32	17	432	130	59	1d
Camaro	93-02		20	19	17 1/4	438	15 1/4	387	130	59	1d, 3c
Camaro T-Top	93-02		20	19	17 1/4	438	15 1/4	387	130	59	1d, 3c
Impala 4DR	00-05		26	23	11 3/4	298	27 1/2	699	130	59	4i
IROC-Z	93-02		20	19	17 1/4	438	15 1/4	387	130	59	1d, 3c
Iroc-Z T-Top	93-02		20	19	17 1/4	438	15 1/4	387	130	59	1d, 3c
Malibu 4DR	08-12		18	16	8	203	28	711	105	48	
Malibu 4DR	04-07		19	18	11 3/4	298	27 1/2	699	130	59	4i, 9d
Malibu 4DR	97-03		11	10	11	279	27 1/2	699	130	59	3u
Malibu Maxx 5DR	04-07		19	18	11 3/4	298	27 1/2	699	130	59	4i, 9d
Monte Carlo 2DR	00-05		15	12	24 3/4	629	23 1/2	597	130	59	4i, 3x
Oprtra 4DR	04-06		11	9	9 3/4	248	19 3/4	502	130	59	4i
Oprtra 5 5DR	04-08		11	9	9 3/4	248	19 3/4	502	130	59	4i
Oprtra Wagon	04-08		10	7	4	102	25 1/2	648	130	59	4i
Tracker 3DR	89-98		10	10	15 3/4	400	27 1/2	699	130	59	
Z28	93-02		20	19	17 1/4	438	15 1/4	387	130	59	1d, 3c
Z28 T-Top	93-02		20	19	17 1/4	438	15 1/4	387	130	59	1d, 3c

CHRYSLER

300 4DR	05-10		25	25	17 3/4	451	25 1/2	648	130	59	4i
300C 4DR	05-07		25	25	17 3/4	451	25 1/2	648	130	59	4i
Concorde 4DR	93-97		17	16	11 3/4	298	26 1/2	673	130	59	
Intrepid 4DR	93-97		17	16	11 3/4	298	26 1/2	673	130	59	
LHS 4DR	94-97		19	17	11 3/4	298	27 1/2	699	130	59	
New Yorker 4DR	94-97		19	17	11 3/4	298	27 1/2	699	130	59	

DAEWOO

Lanos 3DR	98-02	✓	16	15	17	432	13 3/4	349	130	59	4i, 9o
Lanos 4DR	98-02		8	8	11 3/4	298	23 1/2	597	130	59	4i
Leganza 4DR	99-00		13	12	11 3/4	298	27 1/2	699	130	59	3x, 4i
Nubira 4DR	99-00		10	9	11 3/4	298	23 1/2	597	130	59	3x, 4i

DODGE

2000 GTX 4DR	89-93		13	10	11 3/4	298	27 1/2	699	130	59	4i
Charger	05-10		25	25	17 3/4	451	25 1/2	648	130	59	4i
Intrepid 4DR	93-97		17	16	11 3/4	298	26 1/2	673	130	59	
Magnum 4DR	05-07		25	25	17 3/4	451	25 1/2	648	130	59	4i

EAGLE

2000 GTX 4DR	89-93		13	10	11 3/4	298	27 1/2	699	130	59	4i
--------------	-------	--	----	----	--------	-----	--------	-----	-----	----	----



2013 COMPLETE ROOF RACK SYSTEM - SR1002 - FIT GUIDE

Vehicle Make and Model	Year	3D Adapter A21116									 Fit Tips
			Front	Rear	A		B		Lbs	Kg	
					inch	mm	inch	mm			

EAGLE (continued - suite - consecuencia)

Talon 3DR	90-94		10	10	21 3/4	552	19	483	130	59	1b
Vision 4DR	93-97		17	16	11 3/4	298	26 1/2	673	130	59	

FORD

Escort Wagon	97-99		12	12	11 3/4	298	27 1/2	699	130	59	3y, 4i
Escort Wagon	91-96		14	13	7 3/4	197	23 1/2	597	130	59	3u, 4i
Five Hundred 4DR	05-07		29	29	11 3/4	298	27 1/2	699	130	59	4i
Focus 3DR	00-07	✓	8	7	16 1/2	419	11 3/4	298	105	48	4i, 9o
Focus 4DR	08-11		10	8	9	229	19 3/4	502	105	48	
Focus 4DR	00-07		7	10	7 3/4	197	27 1/2	699	105	48	3c, 3h, 4i
Focus 5DR	00-07		7	10	7 3/4	197	27 1/2	699	105	48	3c, 3h, 4i
Taurus 4DR	96-99		14	15	11 3/4	298	23 1/2	597	130	59	
ZX3 3DR	00-07	✓	8	7	16 1/2	419	11 3/4	298	105	48	4i, 9o
ZX5 5DR	00-07		7	10	7 3/4	197	27 1/2	699	105	48	3c, 3h, 4i

GEO

Tracker 3DR	89-97		10	10	15 3/4	400	27 1/2	699	130	59	
-------------	-------	--	----	----	--------	-----	--------	-----	-----	----	--

GMC

Jimmy 5DR	91-94		16	16	1 1/4	32	17	432	130	59	1d
Tracker 3DR	89-98		10	10	15 3/4	400	27 1/2	699	130	59	

HONDA

Accord 2DR	03-07	✓	19	18	4	102	11 3/4	298	130	59	4i
Accord 2DR	98-02	✓	17	17	19	483	15 3/4	400	105	48	3u, 4i, 9o
Accord 2DR	94-98		11	8	22 3/4	578	20 1/2	521	130	59	1c
Accord 2DR	94-98	✓	18	20	17 3/4	451	16 1/4	413	130	59	9o
Accord 2DR	90-93		11	9	19 3/4	502	17 3/4	451	130	59	1c
Accord 2DR	90-93	✓	10	8	19	483	17	432	130	59	9o
Accord 4DR	03-07		17	17	11 3/4	298	27 1/2	699	105	48	4i, 3y
Accord 4DR	98-02		16	14	11 3/4	298	27 1/2	699	105	48	1a 4i
Accord 4DR	94-97		10	8	11 1/2	292	25 1/2	648	105	48	
Accord 4DR	90-93		10	9	9	229	25 1/2	648	130	59	
Accord Wagon	94-97		9	8	12 1/2	318	21 1/4	540	130	59	1b, 1i, 3u, 4i
Accord Wagon	91-93		11	9	10 3/4	273	27 1/2	699	130	59	1i
Civic 4DR	12-13		21	20	10	254	25	635	90	41	
Civic 4DR	06-11		21	20	10	254	25	635	90	41	
Civic 4DR	92-95		4	5	7 3/4	197	21 3/4	552	130	59	1b
Crosstour	10-13		20	19	7	178	25	635	90	41	
Fit 5DR	09-13		21	15	10 3/4	273	24	610	90	41	
Fit 5DR	07-08		20	15	10	254	24	610	105	48	
Fit Sport 5DR	09-13		21	15	10 3/4	273	24	610	90	41	
Fit Sport 5DR	07-08		20	15	10	254	24	610	105	48	
Insight 5DR	10-13		20	20	11	279	27	686	90	41	

HYUNDAI

Accent 4DR	06-11		18	16	10	254	24	610	105	48	4i
------------	-------	--	----	----	----	-----	----	-----	-----	----	----



2013 COMPLETE ROOF RACK SYSTEM - SR1002 - FIT GUIDE

Vehicle Make and Model	Year	3D Adapter A21116									
			Front	Rear	A		B		Weight Limit		
					inch	mm	inch	mm	Lbs	Kg	

HYUNDAI (continued - suite - consecuencia)											
Elantra 4DR	07-10		18	17	9	229	24	610	105	48	
Elantra 4DR	01-06	✓	19	19	6 3/4	171	15	381	90	41	4i, 9o
Elantra Touring Wagon	09-12		18	15	9	229	28	711	105	48	
Sonata 4DR	11-13		22	20	12	305	26	660	105	48	
Sonata 4DR	06-10		19	18	8	203	25	635	105	48	3b, 5f
INFINITI											
Q45 4DR	94-96		26	25	11 3/4	298	27 1/2	699	130	59	
Q45 4DR	91-93		26	25	11 3/4	298	27 1/2	699	130	59	
ISUZU											
Trooper	92-02		27	27	11 3/4	298	27 1/2	699	130	59	1i
KIA											
Rio 4DR	01-05	✓	18	16	9 3/4	248	15 3/4	400	130	59	3x, 9o
Sephia 4DR	00-01		11	8	11 3/4	298	23 1/2	597	130	59	3x, 4i
Sephia 4DR	94-97		10	11	10 3/4	273	25 1/2	648	105	48	
Spectra 4DR	02-05		11	9	11 3/4	298	23 1/2	597	130	59	
Spectra 5DR	02-03		11	9	11 3/4	298	23 1/2	597	130	59	
LEXUS											
IS300 2DR	01-03		17	17	9 3/4	248	23 1/2	597	130	59	4i
MAZDA											
323 3DR	95-97		12	10	19	483	17 1/4	438	130	59	1d
323 3DR	90-95		11	7	15 3/4	400	27 1/2	699	130	59	
626 4DR	93-97		16	14	10 3/4	273	23 1/2	597	130	59	
626 4DR	88-92		14	13	11	279	27 1/2	699	130	59	
626 5DR	88-92		14	13	11	279	27 1/2	699	130	59	
626 Cronos 4DR	93-97		16	14	10 3/4	273	23 1/2	597	130	59	
Millenia 4DR	95-02		10	8	9 3/4	248	21 3/4	552	90	41	1b
Protégé 4DR	99-03		18	17	11 3/4	298	25 1/2	648	130	59	
Protégé 4DR	95-98		16	14	11 3/4	298	25 1/2	648	130	59	
Protégés 5DR	02-03		19	17	11 3/4	298	27 1/2	699	90	41	4i
MERCEDES-BENZ											
C Class 4DR	01-03	✓	26	28	7	178	13 1/2	343	130	59	4i, 9o
C Class 4DR	94-00		18	18	12 1/4	311	24 1/2	622	130	59	
E Class 4DR	96-02		24	17	11 3/4	298	27 1/2	699	130	59	
E Class 4DR	85-95		24	17	13	330	27 1/2	699	130	59	
E Class Wagon	94-96		24	17	13	330	27 1/2	699	130	59	1i
S Class 4DR	92-98		29	28	11 3/4	298	27 1/2	699	130	59	
MERCURY											
Sable 4DR	00-05		14	15	11 3/4	298	23 1/2	597	130	59	
Sable 4DR	96-99		14	15	11 3/4	298	23 1/2	597	130	59	
Tracer Wagon	97-99		12	12	11 3/4	298	27 1/2	699	130	59	3y, 4i, 10a
Tracer Wagon	91-96		14	13	7 3/4	197	23 1/2	597	130	59	3u, 4i, 10a



2013 COMPLETE ROOF RACK SYSTEM - SR1002 - FIT GUIDE

Vehicle Make and Model	Year	3D Adapter A21116									 Fit Tips
			Front	Rear	A		B		Lbs	Kg	
					inch	mm	inch	mm			

MITSUBISHI											
Eclipse	90-94		10	10	21 3/4	552	19	483	125	57	1b
Galant 4DR	02-03	✓	25	23	9	229	27 1/2	699	105	48	
Galant 4DR	98-99		25	23	11 3/4	298	25 1/2	648	105	48	4i
Galant 4DR	94-97		12	12	11 3/4	298	27 1/2	699	105	48	4i
Galant 4DR	88-93		13	10	11 3/4	298	27 1/2	699	130	59	4i
Lancer 4DR	03-07		23	13	11 3/4	298	27 1/2	699	105	48	3y, 4i
Lancer 4DR	02-03		23	13	11 3/4	298	27 1/2	699	130	59	
Mirage 2DR	97-99	✓	20	18	17 3/4	451	13 3/4	349	130	59	4i
Mirage 4DR	97-99		19	18	11 3/4	298	25 1/2	648	130	59	4i
NISSAN											
Maxima 4DR	09-12		18	16	10	254	26	660	105	48	
Sentra 4DR	07-12		22	22	11	279	27	686	105	48	4i
Versa 4DR	07-11		21	21	11	279	28	711	80	36	
Versa 5DR	07-12		21	21	11	279	28	711	80	36	
OLDSMOBILE											
88 4DR	92-99		25	23	11 3/4	298	27 1/2	699	130	59	
98 4DR	91-96		25	25	10 1/4	260	27 1/2	699	130	59	3x
Cutlass Ciera 4DR	82-96		22	21	9 3/4	248	27 1/2	699	130	59	
Cutlass Cruiser Wagon	84-96		22	21	9 3/4	248	27 1/2	699	130	59	1i
Intrigue 4DR	98-01		13	10	11 3/4	298	27 1/2	699	130	59	4i, 4j
PONTIAC											
Bonneville 4DR	92-99		25	23	11 3/4	298	27 1/2	699	130	59	
Firebird	93-02		20	19	17 1/4	438	15 1/4	387	130	59	1d, 3c
Firebird T-Top	93-02		20	19	17 1/4	438	15 1/4	387	130	59	1d, 3c
Grand Prix 4DR	97-08		16	15	11 3/4	298	25 1/2	648	130	59	3u, 41
Sunrunner 3DR	94-98		10	10	15 3/4	400	27 1/2	699	130	59	
Trans-Am	93-02		20	19	17 1/4	438	15 1/4	387	130	59	1d, 3c
Trans-Am T-Top	93-02		20	19	17 1/4	438	15 1/4	387	130	59	1d, 3c
Wave 5DR	05-07		14	12	11 3/4	298	27 1/2	699	130	59	
SATURN											
Aura	08-10		18	16	8	203	28	711	105	48	
SUZUKI											
Aerio 4DR	02-06		17	17	11 3/4	298	27 1/2	699	130	59	4i
Sidekick 3DR	89-98		10	10	15 3/4	400	27 1/2	699	130	59	
TOYOTA											
Camry 4DR	12-13		20	20	11	279	25 1/2	648	90	41	
Camry 4DR	07-11		21	21	11	279	25 1/2	648	90	41	
Corolla 4DR	09-13		19	17	9	229	23 1/2	597	105	48	
Corolla 4DR	03-08		15	18	8 3/4	222	23 1/2	597	105	48	4i
Prius 5DR	10-13		22	21	11	279	28	711	105	48	
Prius 5DR	04-09		22	21	11	279	28	711	105	48	
Rav 4 3DR	95-00		14	13	19 1/4	489	16 1/2	419	130	59	1c



2013 COMPLETE ROOF RACK SYSTEM - SR1002 - FIT GUIDE

Vehicle Make and Model	Year	3D Adapter A21116								
			Front	Rear	A		B		Weight Limit	
			inch	mm	inch	mm	Lbs	Kg	Fit Tips	

TOYOTA (continued - suite - consecuencia)

Rav 4 3DR	95-00	✓	15	13	19 1/4	489	16 1/2	419	130	59	90
Rav 4 5DR	01-05		21	20	7 3/4	197	27 1/2	699	130	59	4i
Rav 4 5DR	95-00		14	14	4	102	23 1/2	597	130	59	
Yaris 4DR	07-12		12	8	15	381	30	762	130	59	
Yaris 5DR	06-13		12	8	15	381	30	762	130	59	

VOLKSWAGEN

Passat 4DR	90-97		12	8	11 3/4	298	27 1/2	699	105	48	
Passat Wagon	90-97		12	8	11 3/4	298	27 1/2	699	130	59	1i

VOLVO

S80 4DR	99-03		32	28	11 3/4	298	25 1/2	648	130	59	
---------	-------	--	----	----	--------	-----	--------	-----	-----	----	--

FIT TIPS

- 1a Do not exceed the maximum load recommended by the car manufacturer.
- 1b Do not load large, long, or heavy objects on rack (furniture, boats, sailboards, car top boxes, etc...).
- 1c Skis and/or snowboards only. The 2 door short roof adapter is required for any other loads. See other fit for this vehicle on next line.
- 1d Skis and/or snowboards only.
- 1g For models with hard top only.
- 1i For vehicles without factory installed roof racks only.
- 3b Install hook in groove above door.
- 3c Insert hook between rubber molding and solid roof detail (use a plastic card, calling card type, to gently pry molding away from vehicle).
- 3h Separate rubber molding from roof sill, insert hook on sill, then reposition molding.
- 3m Anchor to roof edge.
- 3u Attachment mechanism must be extremely tight to secure bar on roof.
- 3x Tighten bars until they are firm. Do not over tighten as overtightening may deform roof.
- 3y Both sides of the bar must be tightened simultaneously.
- 4i Hold the hook while tightening the mechanism.
- 4j Tighten until the hook deforms. The deformation must be big enough so that the rubbered surface of the hook is fully in contact with the car anchoring surface.
- 4l Insert hook between rubber molding and plastic or chromed molding.
- 5f Install hook at manufacturer's recommended point of attachment.
- 9b Sun roof will not open.
- 9d Remove rack when not in use: the rubber door seal or trim may deform under prolonged contact with any roof rack brackets.
- 9o The 2 door short roof adapter is required for any load other than skis and/or snowboards.
- 9q Skis and/or snowboards and bicycles only.
- 10a If your vehicle has factory crossbars, you do not need to purchase an additional rack system.
- 10b Factory crossbars are required to fit boxes and bags to this vehicle. Please contact your auto manufacturer to purchase these crossbars.





2013 COMPLETE ROOF RACK SYSTEM - SR1003 - FIT GUIDE

Vehicle Make and Model	Year	Adaptateur 3D A21116								
			Front	Rear	A		B		Weight Limit	
					inch	mm	inch	mm	Lbs	Kg

ACURA											
Integra 3DR	94-01	✓	16	19	14 1/2	368	10 3/4	273	130	59	1b, 3u, 9o
AMC											
SE 3DR	87-93		20	19	18 1/2	470	15 3/4	400	130	59	1c, 3u, 4i
SE 3DR	87-93	✓	19	19	17 1/4	438	15 1/4	387	130	59	3u, 9o
SE 4DR	87-93		17	17	20	508	17 1/4	438	130	59	1d
SE 5DR	87-93		17	17	20	508	17 1/4	438	130	59	1d
BUICK											
Riviera 2DR	95-99		14	11	21 3/4	552	21 3/4	552	130	59	1d, 3b
CHEVROLET											
Blazer 3DR	82-94		25	25	18	457	15 3/4	400	130	59	1d
Metro 3DR	98-00		15	14	15 3/4	400	13 3/4	349	130	59	1c
Metro 3DR	98-00	✓	14	14	16 1/4	413	15 1/4	387	130	59	3u, 9o
Metro 4DR	98-00		14	12	9 3/4	248	23 1/2	597	130	59	
Nova	85-88		30	30	11 3/4	298	27 1/2	699	130	59	
S-10 King Cab	82-93	✓	27	27	16 1/4	413	14 1/4	362	130	59	3h, 9o
Sprint 3DR	84-88		18	17	21 3/4	552	19 3/4	502	130	59	1c
Sprint 3DR	84-88	✓	20	20	18	457	15 3/4	400	130	59	9o
Sprint 5DR	84-88		19	19	8 3/4	222	27 1/2	699	90	41	3u
DODGE											
Colt 2DR	93-96		20	19	17 3/4	451	15 3/4	400	105	48	1c
Colt 2DR	93-96	✓	22	21	15 3/4	400	14 1/4	362	130	59	9o
Colt 4DR	93-96		20	19	17 3/4	451	15 3/4	400	130	59	1d
Dakota	87-96		28	28	17 3/4	451	15 3/4	400	130	59	1d
EAGLE											
Summit 2DR	93-96		20	19	17 3/4	451	15 3/4	400	130	59	1c
Summit 2DR	93-96	✓	22	21	15 3/4	400	14 1/4	362	130	59	9o
Summit 4DR	93-96		20	19	17 3/4	451	15 3/4	400	130	59	1d
FORD											
Aspire 3DR	94-97		19	18	16 1/2	419	19 3/4	502	90	41	1c
Aspire 3DR	94-97	✓	21	23	13 3/4	349	12 1/2	318	90	41	4i, 9o
Aspire 5DR	94-97		19	19	9 3/4	248	24 1/2	622	90	41	
Escort 3DR	91-96		24	23	17 3/4	451	27 1/2	699	130	59	
Escort 4DR	97-99		24	24	11 3/4	298	25 1/2	648	130	59	3y, 4i
Escort 4DR	91-96		20	20	9 3/4	248	27 1/2	699	130	59	
Escort 5DR	91-96		20	20	9 3/4	248	27 1/2	699	130	59	
Festiva 3DR	88-93		17	16	20 3/4	527	19	483	130	59	1c
Festiva 3DR	88-93	✓	20	18	20	508	17 1/4	438	130	59	3u, 9o
Mustang 2DR	79-93		29	29	21 3/4	552	19 3/4	502	130	59	1c
Mustang 2DR	79-93	✓	29	29	17 3/4	451	15 3/4	400	130	59	9o
Mustang 3DR	79-93		29	29	21 3/4	552	19 3/4	502	130	59	1c
Mustang 3DR	79-93	✓	29	29	17 3/4	451	15 3/4	400	130	59	9o



2013 COMPLETE ROOF RACK SYSTEM - SR1003 - FIT GUIDE

Vehicle Make and Model	Year	3D Adapter A21116							 Weight Limit		 Fit Tips
			Front	Rear	A		B		Lbs	Kg	
					inch	mm	inch	mm			

GEO											
Metro 3DR	95-00		15	14	15 3/4	400	13 3/4	349	130	59	1c
Metro 3DR	95-00	✓	14	14	16 1/4	413	15 1/4	387	130	59	3u, 9o
Metro 4DR	95-00		14	12	9 3/4	248	23 1/2	597	130	59	
GMC											
Jimmy 3DR	82-94		25	25	18	457	15 3/4	400	130	59	1d
S-15 King Cab	82-93	✓	27	27	16 1/4	413	14 1/4	362	105	48	3h, 9o
Sonoma King Cab	82-93	✓	27	27	16 1/4	413	14 1/4	362	130	59	3h, 9o
HONDA											
Civic 2DR	96-00	✓	20	19	17 3/4	451	15 1/4	387	90	41	9o
Civic 2DR	92-95		17	16	19	483	17	432	130	59	1c, 3u, 4i
Civic 2DR	92-95	✓	17	17	16 1/2	419	15	381	130	59	3u, 4i, 9o
Civic 3DR	96-00		19	20	18 1/2	470	16 1/4	413	130	59	1c
Civic 3DR	96-00	✓	20	20	17 3/4	451	15 1/4	387	130	59	3u, 9o
Civic 3DR	92-95		17	16	19	483	17	432	130	59	1c, 3x, 4i
Civic 3DR	92-95	✓	17	18	15 3/4	400	13	330	130	59	9o
CRV	97-01		31	29	9 3/4	248	27 1/2	699	130	59	1i
Odyssey	95-98		32	32	5	127	27 1/2	699	130	59	1i
HYUNDAI											
Accent 3DR	00-06	✓	24	24	19 3/4	502	13 3/4	349	90	41	9o
Accent 3DR	95-99	✓	18	10	15	381	13 1/2	343	90	41	3u, 9o
Accent 4DR	00-05		24	24	11 3/4	298	25 1/2	648	105	48	4i
Accent 4DR	95-99		15	13	9 3/4	248	23 1/2	597	105	48	
Sonata 4DR	94-98		31	29	11 1/2	292	24 3/4	629	105	48	
INFINITI											
J30 4DR	92-97		22	22	11 3/4	298	23 1/2	597	130	59	1d, 3c, 9b
QX4	97-03		19	17	13 3/4	349	29 1/2	749	130	59	1i, 3c
ISUZU											
Oasis 5DR	96-98		32	32	5	127	27 1/2	699	90	41	1i
MAZDA											
323 3DR	86-89		15	15	9 3/4	248	27 1/2	699	130	59	
323 5DR	86-89		15	14	9 3/4	248	25 1/2	648	130	59	
GLC 3DR	86-89		15	15	9 3/4	248	27 1/2	699	130	59	
MX-3 Precidia 3DR	92-96		21	17	19 3/4	502	17 3/4	451	90	41	1b
MERCURY											
Tracer 3DR	91-96		24	23	17 3/4	451	27 1/2	699	130	59	
Tracer 3DR	86-89		15	15	9 3/4	248	27 1/2	699	130	59	
Tracer 4DR	97-99		24	24	11 3/4	298	25 1/2	648	130	59	3y, 4i
Tracer 4DR	91-96		20	20	9 3/4	248	27 1/2	699	130	59	
Tracer 4DR	86-89		15	14	9 3/4	248	25 1/2	648	130	59	
Tracer 5DR	91-96		20	20	9 3/4	248	27 1/2	699	130	59	
Tracer 5DR	86-89		15	14	9 3/4	248	25 1/2	648	130	59	



2013 COMPLETE ROOF RACK SYSTEM - SR1003 - FIT GUIDE

Vehicle Make and Model	Year	3D Adapter A21116									
			Front	Rear	A		B		Weight Limit		
					inch	mm	inch	mm	Lbs	Kg	

MITSUBISHI											
Colt 2DR	93-96		20	19	17 3/4	451	15 3/4	400	130	59	1c
Colt 2DR	93-96	✓	22	21	15 3/4	400	14 1/4	362	130	59	9o
Colt 4DR	93-96		20	19	17 3/4	451	15 3/4	400	130	59	1d
Mirage 2DR	93-96		20	19	17 3/4	451	15 3/4	400	105	48	1c
Mirage 2DR	93-96	✓	22	21	15 3/4	400	14 1/4	362	105	48	9o
Mirage 4DR	93-96		20	19	17 3/4	451	15 3/4	400	130	59	1d
NISSAN											
300 ZX T-Top	84-89		29	29	21 3/4	552	18 1/2	470	130	59	1d, 1g
NX 1600	91-93		28	28	19 3/4	502	17 3/4	451	130	59	1d, 1g
NX 2000	91-93		28	28	19 3/4	502	17 3/4	451	130	59	1d, 1g
Pathfinder 5DR	96-04		19	17	13 3/4	349	29 1/2	749	130	59	1i, 3c
Pulsar 2DR	83-86		19	18	19 1/4	489	21 3/4	552	130	59	1b
Stanza 4DR	87-89		20	20	9 3/4	248	25 1/2	648	130	59	3x
OLDSMOBILE											
Bravada 3DR	82-94		25	25	18	457	15 3/4	400	130	59	1d
Optima 3DR	87-93		20	19	18 1/2	470	15 3/4	400	130	59	1c, 3u, 4i
Optima 3DR	87-93	✓	19	19	17 1/4	438	15 1/4	387	130	59	3u, 9o
Optima 4DR	87-93		17	17	20	508	17 1/4	438	130	59	1d
Optima 5DR	87-93		17	17	20	508	17 1/4	438	130	59	1d
PLYMOUTH											
Colt 2DR	93-96		20	19	17 3/4	451	15 3/4	400	105	48	1c
Colt 2DR	93-96	✓	22	21	15 3/4	400	14 1/4	362	105	48	9o
Colt 4DR	93-96		20	19	17 3/4	451	15 3/4	400	130	59	1d
PONTIAC											
Fiero 2DR	84-88		26	26	15 3/4	400	13 3/4	349	130	59	1d
Firefly 3DR	95-00		15	14	15 3/4	400	13 3/4	349	130	59	1c
Firefly 3DR	95-00	✓	14	14	16 1/4	413	15 1/4	387	130	59	3u, 9o
Firefly 3DR	84-88		18	17	21 3/4	552	19 3/4	502	130	59	1c
Firefly 3DR	84-88	✓	20	20	18	457	15 3/4	400	130	59	9o
Firefly 4DR	95-00		14	12	9 3/4	248	23 1/2	597	130	59	
Firefly 4DR	84-88		19	19	8 3/4	222	27 1/2	699	130	59	3u
Le Mans 3DR	87-93		20	19	18 1/2	470	15 3/4	400	130	59	1c, 3u, 4i
Le Mans 3DR	87-93	✓	19	19	17 1/4	438	15 1/4	387	130	59	3u, 9o
Le Mans 4DR	87-93		17	17	20	508	17 1/4	438	130	59	1d
Le Mans 5DR	87-93		17	17	20	508	17 1/4	438	130	59	1d
SUZUKI											
Cultus 3DR	84-88		19	19	8 3/4	222	27 1/2	699	130	59	3u
Esteem 4DR	95-02		20	19	9 3/4	248	23 1/2	597	105	48	
Forsa 3DR	84-88		18	17	21 3/4	552	19 3/4	502	130	59	1c
Forsa 3DR	84-88	✓	20	20	18	457	15 3/4	400	130	59	9o
Forsa 5DR	84-88		19	19	8 3/4	222	27 1/2	699	130	59	3u
Swift 3DR	95-00		15	14	15 3/4	400	13 3/4	349	130	59	1c



2013 COMPLETE ROOF RACK SYSTEM - SR1003 - FIT GUIDE

Vehicle Make and Model	Year	3D Adapter A21116									 Fit Tips
			Front	Rear	A		B		Lbs	Kg	
					inch	mm	inch	mm			

SUZUKI (continued - suite - consecuencia)

Swift 3DR	95-00	✓	14	14	16 1/4	413	15 1/4	387	130	59	3u, 9o
-----------	-------	---	----	----	--------	-----	--------	-----	-----	----	--------

TOYOTA

Celica 3DR	79-85		24	24	20 3/4	527	19 3/4	502	130	59	1b
Cressida 4DR	85-88		25	25	11 3/4	298	25 1/2	648	130	59	
Echo 2DR	00-05		23	23	17	432	13 3/4	349	105	48	4i, 9o
Echo 4DR	00-05		23	22	11 3/4	298	27 1/2	699	105	48	4i
Echo 5DR	04-05		19	21	6	152	23 1/2	597	130	59	3y, 4i, 9q
MR-2	90-97		24	24	17	432	15	381	130	59	1d, 3c
Tercel 2DR	95-99		19	18	21 3/4	552	19 3/4	502	130	59	1c
Tercel 2DR	95-99		19	19	17 3/4	451	19 3/4	502	130	59	3u, 4i
Tercel 2DR	86-90		18	17	11 3/4	298	27 1/2	699	130	59	
Tercel 3DR	86-90		18	17	11 3/4	298	27 1/2	699	130	59	
Tercel 4DR	95-99		18	17	11 3/4	298	25 1/2	648	130	59	
Tercel 4DR	91-99		19	18	11	279	25 1/2	648	130	59	
Tercel 5DR	86-90		18	17	11 3/4	298	27 1/2	699	130	59	

VOLKSWAGEN

Corrado 3DR	90-95		12	16	13 3/4	349	23 1/2	597	130	59	
-------------	-------	--	----	----	--------	-----	--------	-----	-----	----	--

FIT TIPS

- 1a Do not exceed the maximum load recommended by the car manufacturer.
- 1b Do not load large, long, or heavy objects on rack (furniture, boats, sailboards, car top boxes, etc...).
- 1c Skis and/or snowboards only. The 2 door short roof adapter is required for any other loads. See other fit for this vehicle on next line.
- 1d Skis and/or snowboards only.
- 1g For models with hard top only.
- 1i For vehicles without factory installed roof racks only.
- 3b Install hook in groove above door.
- 3c Insert hook between rubber molding and solid roof detail (use a plastic card, calling card type, to gently pry molding away from vehicle).
- 3h Separate rubber molding from roof sill, insert hook on sill, then reposition molding.
- 3m Anchor to roof edge.
- 3u Attachment mechanism must be extremely tight to secure bar on roof.
- 3x Tighten bars until they are firm. Do not over tighten as overtightening may deform roof.
- 3y Both sides of the bar must be tightened simultaneously.
- 4i Hold the hook while tightening the mechanism.
- 4j Tighten until the hook deforms. The deformation must be big enough so that the rubbered surface of the hook is fully in contact with the car anchoring surface.
- 4l Insert hook between rubber molding and plastic or chromed molding.
- 5f Install hook at manufacturer's recommended point of attachment.
- 9b Sun roof will not open.
- 9d Remove rack when not in use: the rubber door seal or trim may deform under prolonged contact with any roof rack brackets.
- 9o The 2 door short roof adapter is required for any load other than skis and/or snowboards.
- 9q Skis and/or snowboards and bicycles only.
- 10a If your vehicle has factory crossbars, you do not need to purchase an additional rack system.
- 10b Factory crossbars are required to fit boxes and bags to this vehicle. Please contact your auto manufacturer to purchase these crossbars.

