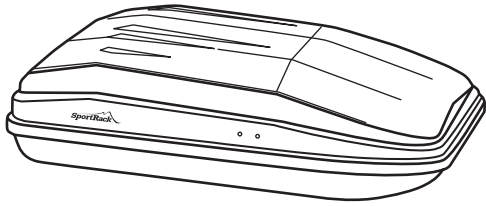


**PARTS INCLUDED**

**A**

**B**

**C**

**D**

**E**

**F**

part	description	part number	qty.
—	Parts Bag - U-bolt Attachment	05493	1
A	U-bolt	02943	4
B	Threaded Knob	04877	8
C	U-bolt Plate	03918	4
D	Reinforcing Plate	10378	4
E	Vinyl Hole Cover	10171	1
F	Key	—	2

- **Cleaning:** Clean with mild soap and water. **Storage:** To prevent warping when storing, close and latch. Do not store items on top of carrier.

- In the event of lost or misplaced keys, **DO NOT DRILL OUT LOCK!** Replacement keys can be ordered by providing the number stamped on the lock cylinder.

1



- With the help of another person place box on roof rack.

2

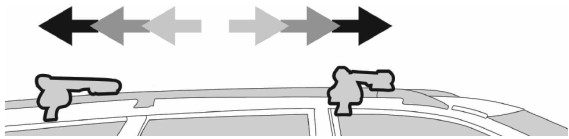


- Slide forward or backward to position mounting slots properly over crossbars.

*Deslice la caja hacia delante o hacia atrás para posicionar los orificios de montaje encima de las barras transversales.*

**NOTE:** Mount box towards the rear of the vehicle to minimize wind resistance.

3



- If crossbars are adjustable, set to widest position which can be accommodated by mounting slots.

**NOTE:** Minimum bar spread = 23 5/8" or 600mm.

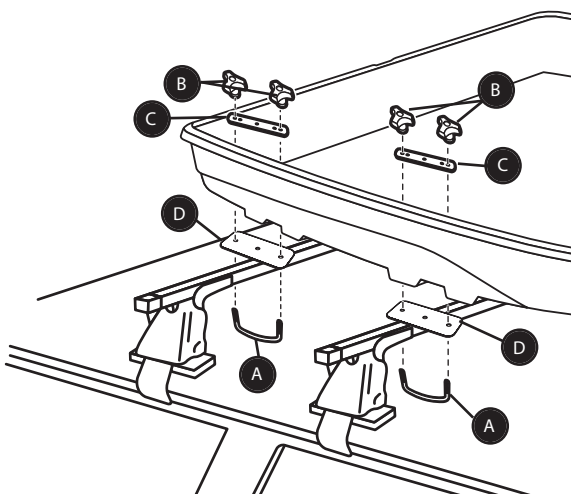
4



- Check rear hatch and front hood clearance.

5

### U-BOLT MOUNTING



- Place carrier on the crossrails, place u-bolts (A) under crossrails and place reinforcing plate (D) under carrier bottom and assemble u-bolts through carrier bottom mounting holes and u-bolt plates (C). Secure with threaded knobs (B). Recheck to see that your crossrails are securely locked into position. For safety, the hooks in the carrier locks must properly engage the lock brackets whenever the vehicle is in motion.

# 6

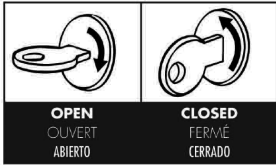
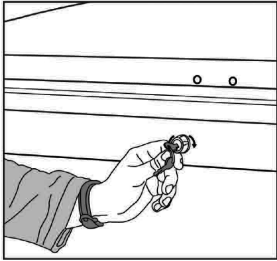
- Periodically check all mounting hardware for snugness.

# 7

- Place vinyl covers (E) over any unused holes to help prevent water from entering the carrier.

# 8

## UNLOCKING/LOCKING THE BOX



**UNLOCKING:** Insert the key and turn clockwise to the unlocked position. The key can only be removed when the box lid is closed and locked.

**LOCKING:** To close, press down on the lid at the front and rear of the box. Turn the key counter-clockwise to lock. Remove key.

# 9

## CAUTION

- Check that latches are engaging brackets.
- Top should not lift up when pulled.
- All locking devices must be engaged (and keys removed) whenever the vehicle is in motion.