

PARTS INCLUDED



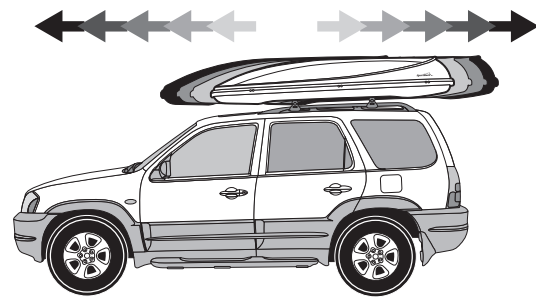
part	description	part number	qty.
A	Horizon Cargo Box SR7011	SR7011	—
B	Horizon Cargo Box SR7016	SR7016	—
C	Horizon Cargo Box SR7017	SR7017	—
—	Parts bag - U-bolt attachment	7525011001	1
D	U-bolt	02943	4
E	Interior plate - 5 holes	03918	4
F	Threaded knobs	04877	8
G	Mask, vinyl hole covers	10171	1
H	Key	~	2

1



- With the help of another person place box on roof rack.

2



- Slide forward or backward to position mounting slots properly over crossbars.

NOTE: Mount box towards the rear of the vehicle to minimize wind resistance.

3

- If crossbars are adjustable, set to widest position which can be accommodated by mounting slots.



NOTE: Minimum bar spread = 23 5/8" or 600mm.

4

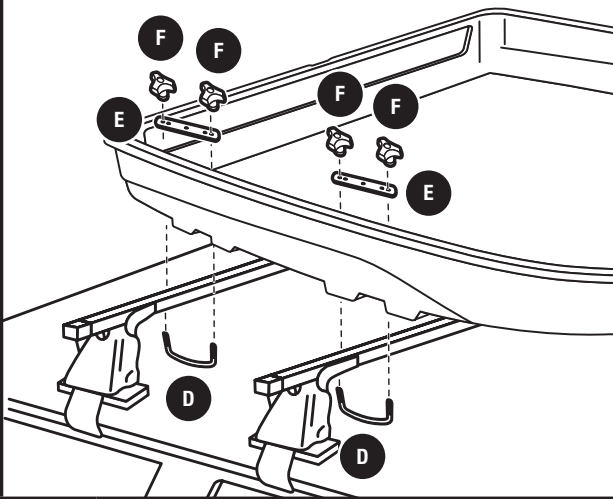
- Check rear hatch and front hood clearance.



5

U-BOLT MOUNTING

- Place carrier on the crossbars, place U-bolts (D) under crossbars and assemble U-bolts (D) through carrier bottom mounting holes and U-bolt plates (E). Secure with threaded knobs (F). Recheck to see that your crossbars are securely locked into position. For safety, the hook in the carrier lock must properly engage the lock bracket whenever the vehicle is in motion.



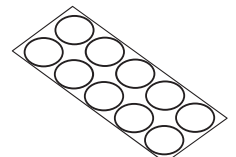
6

- Make sure that loads are evenly distributed inside the roof box. Do not exceed the maximum permitted load of 110 lbs./50 kg for the box or the maximum permitted load for the roof as recommended by the vehicle manufacturer, as well of the maximum load of the load carrier.



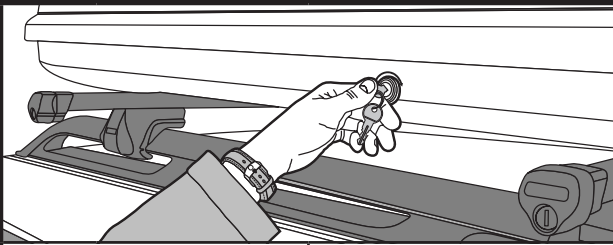
7

- Place vinyl covers (G) over any unused holes to help prevent water from entering the carrier.
- Periodically check all mounting hardware for snugness.



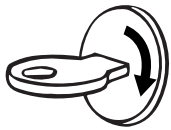
8

UNLOCKING/LOCKING THE BOX



UNLOCKING: Insert the key and turn clockwise to the unlocked position. The key can only be removed when the box lid is closed and locked.

LOCKING: To close, press down on the lid at the front and rear of the box. Turn the key counter-clockwise to lock. Remove key.



OPEN

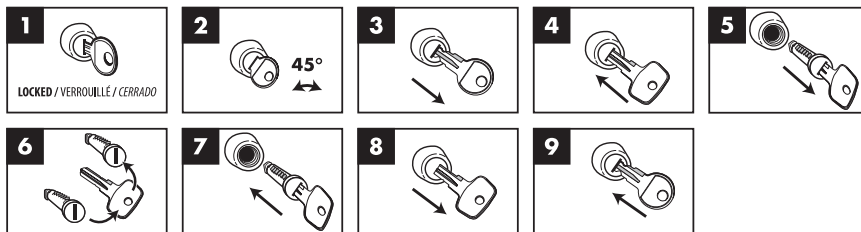


CLOSED

9

EXCHANGING LOCK CORES

- In order to change the existing lock core to a different lock core number, follow steps 1–9 below.



10

MAINTENANCE

- The roof box should be carefully cleaned and maintained, particularly in the winter months.
- The locks should be lubricated with graphite or similar dry lubricant.
- Box should be protected from exposure to the elements during prolonged periods of storage.
- Box and fittings should be inspected periodically for damage.