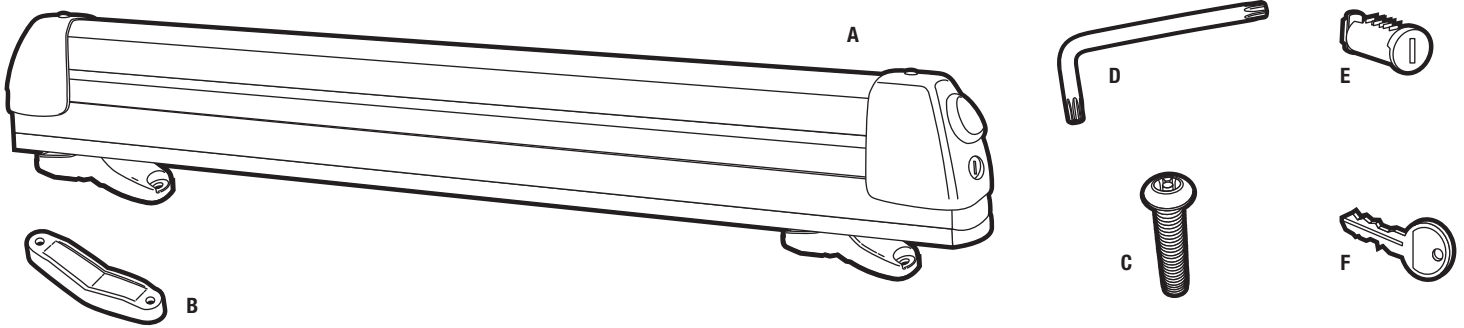
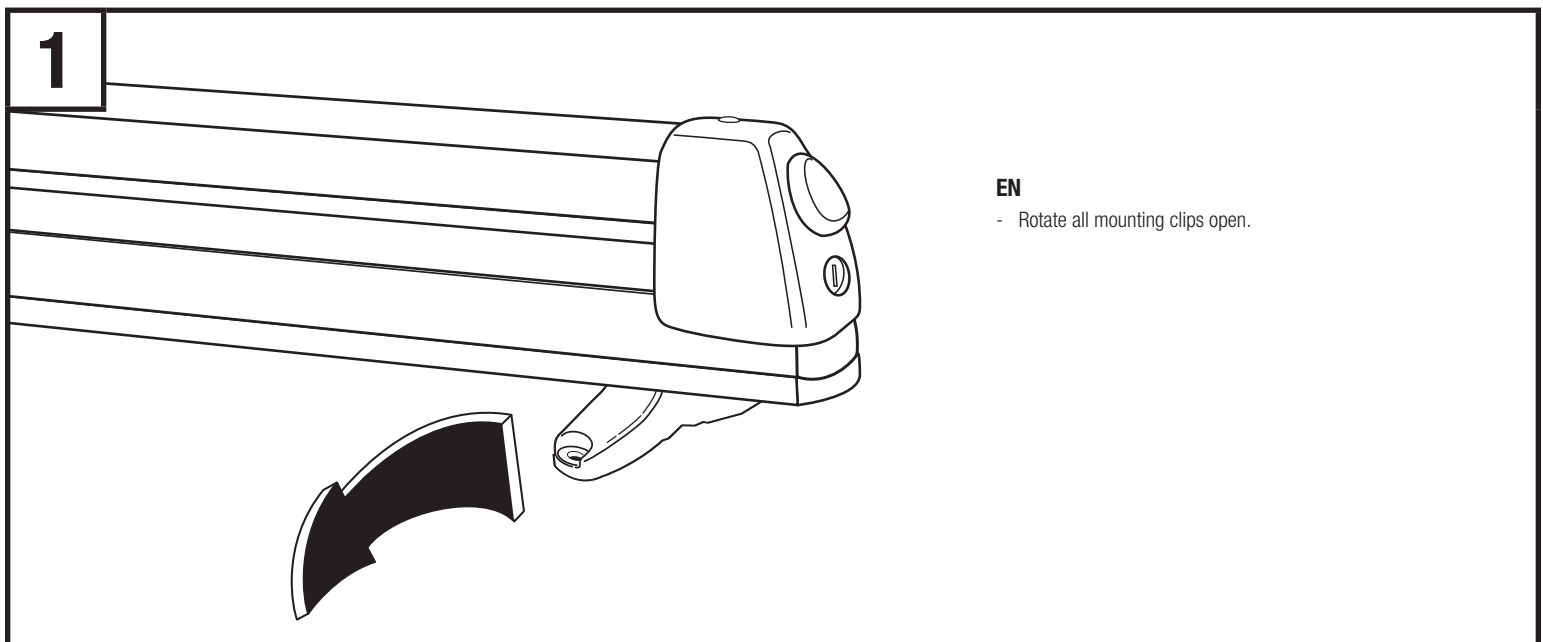


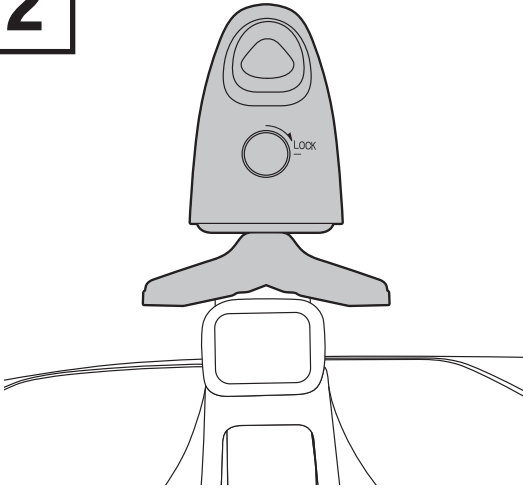
EN PARTS INCLUDED



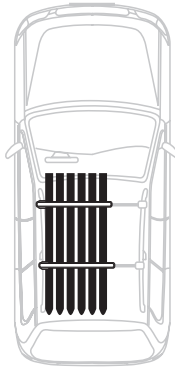
EN part	EN description	EN item number	EN qty.
A	EN SR6466S (6 pair ski carrier)	—	2
B	EN bottom mounting clip	7532854	4
C	EN M6 tamperproof screw	853526908	8
D	EN tamperproof wrench	853527002	1
E	EN lock cylinder	—	2
F	EN locking key	—	2



2



EN CORRECT



EN INCORRECT



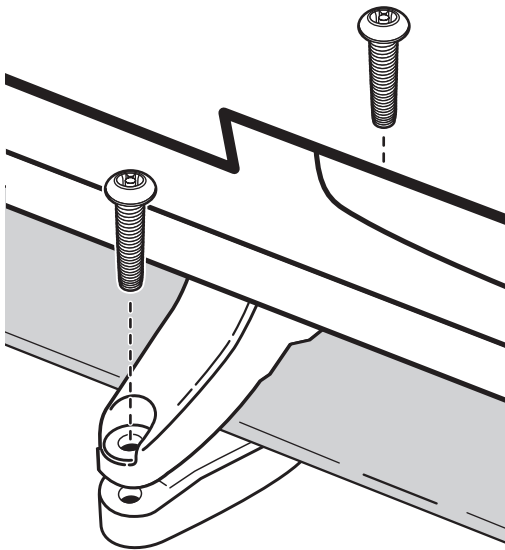
EN

- Position ski carrier vertically on the crossbar.

EN

WARNING: Skis need to ride front to back on the vehicle, not side to side.

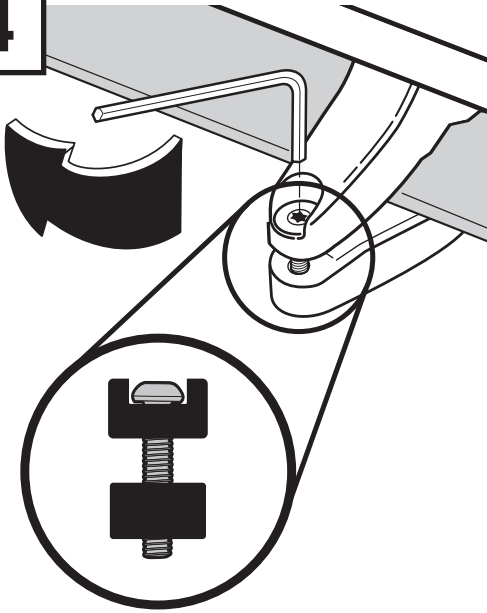
3



EN

- Loosely assemble all bolts and mounting clips as shown.

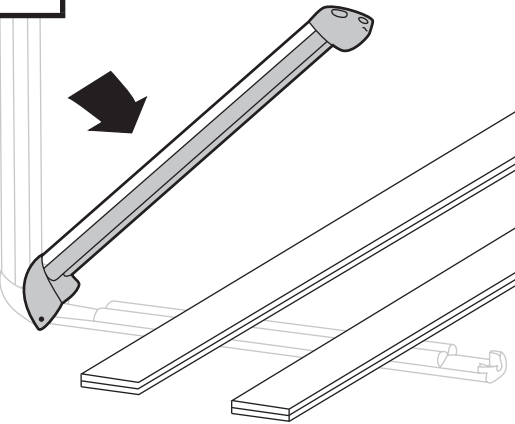
4



EN

- Tighten all 4 knobs firmly.
- Test security by pushing and pulling on carriers.

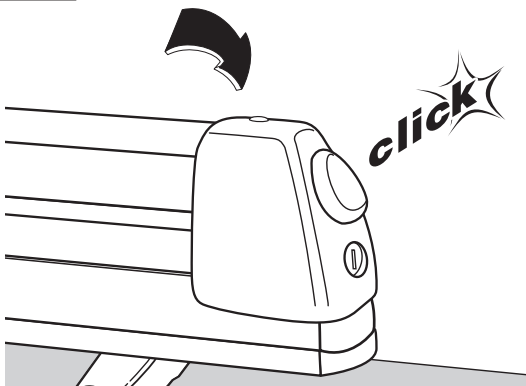
5



EN

- Before mounting the skis or snowboards, lower the upper arm until it stops at the position shown.
- Mount skis into the carrier with tips facing to the rear. Mount snowboards with bindings in the closed position.

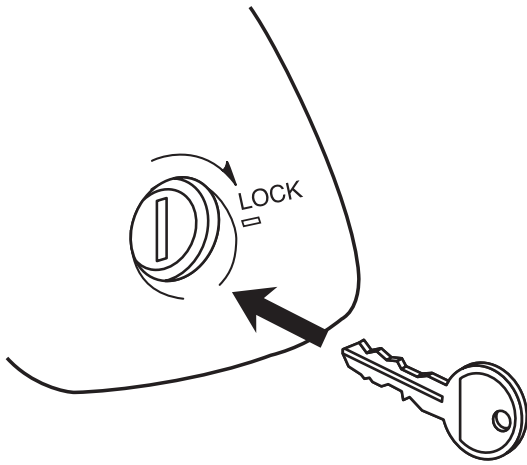
6



EN

- To close the carrier, push the hood down until the latch clicks securely. The latch is designed with two settings to accommodate varying thicknesses of skis or snowboards.

7

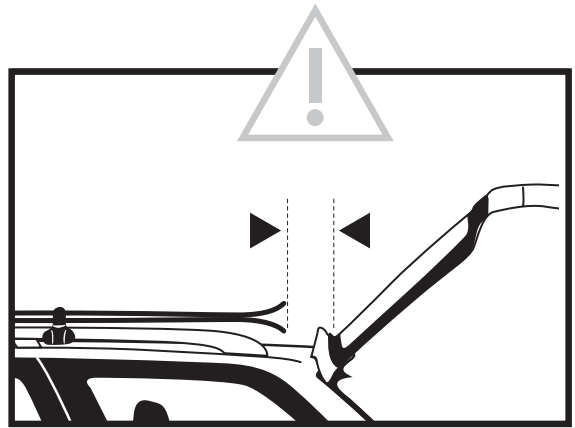


A

EN

- Turn key to horizontal position to lock.
- Test security by pushing up on hood.

B



EN

- This carrier is designed only for skis and snowboards. Check that the skis do not strike against the luggage hatch.