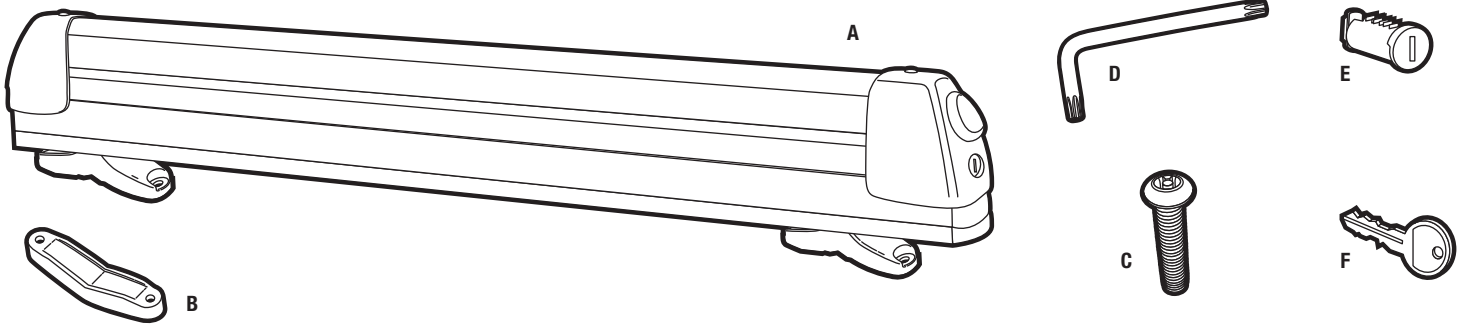
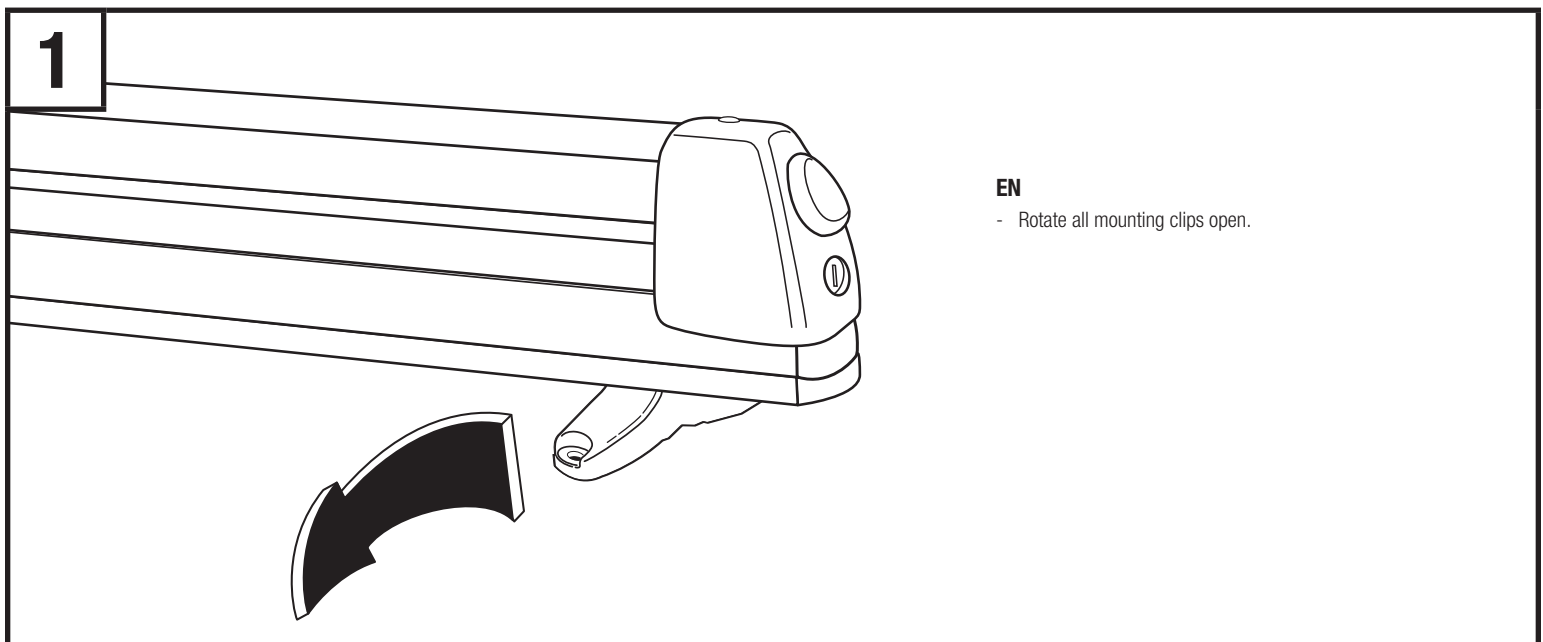


EN = North American English

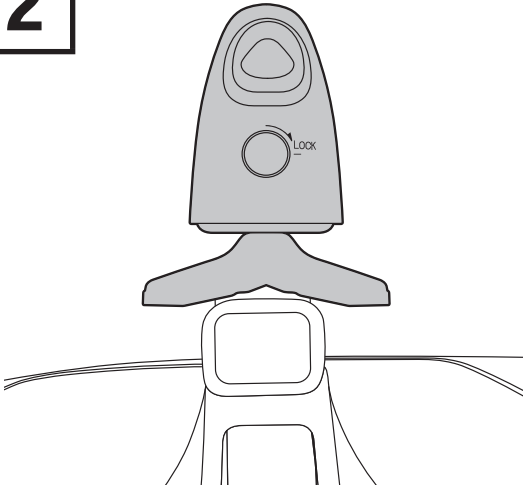
EN PARTS INCLUDED



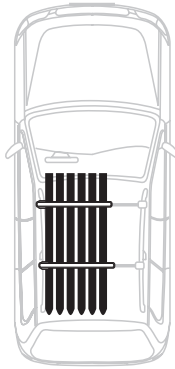
EN part	EN description	EN item number	EN qty.
A	EN SR6466S (6 pair ski carrier)	—	2
B	EN bottom mounting clip	7532854	4
C	EN M6 tamperproof screw	853526908	8
D	EN tamperproof wrench	853527002	1
E	EN lock cylinder	—	2
F	EN locking key	—	2



2



EN CORRECT



EN INCORRECT



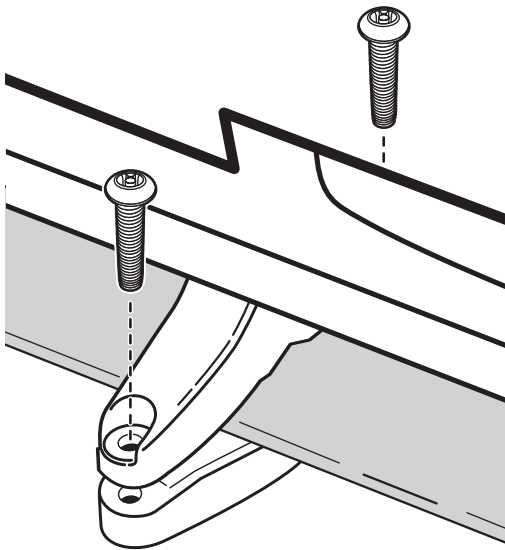
EN

- Position ski carrier vertically on the crossbar.

EN

WARNING: Skis need to ride front to back on the vehicle, not side to side.

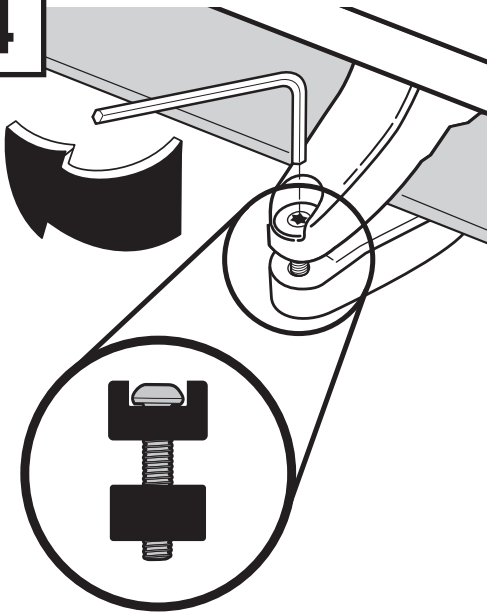
3



EN

- Loosely assemble all bolts and mounting clips as shown.

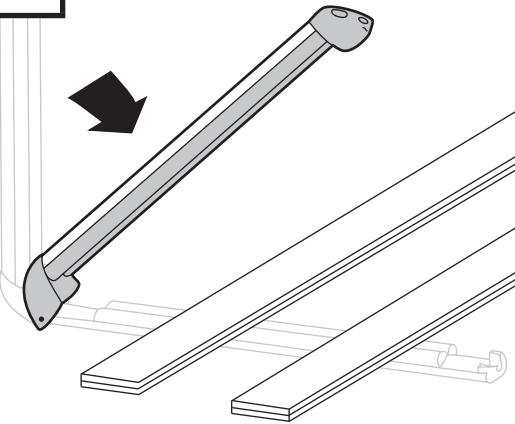
4



EN

- Tighten all 4 knobs firmly.
- Test security by pushing and pulling on carriers.

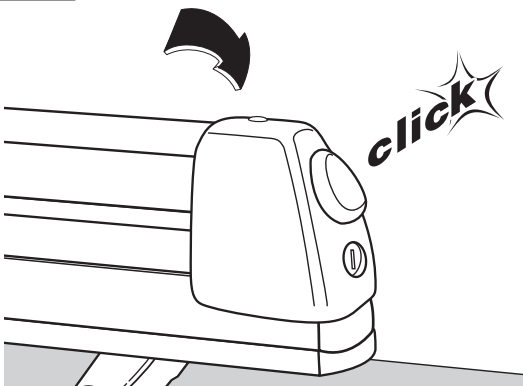
5



EN

- Before mounting the skis or snowboards, lower the upper arm until it stops at the position shown. Mount skis into the carrier with tips facing to the rear. Mount snowboards with bindings in the closed position.

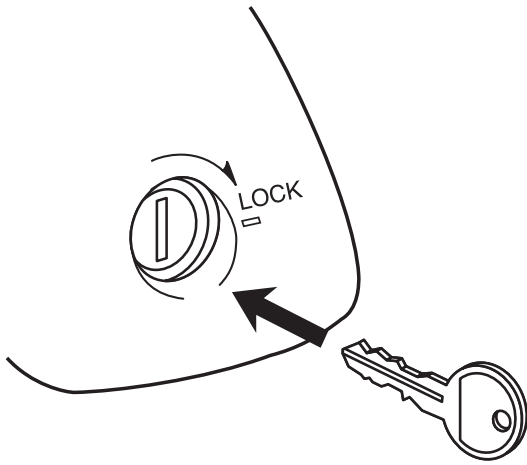
6



EN

- To close the carrier, push the hood down until the latch clicks securely. The latch is designed with two settings to accommodate varying thicknesses of skis or snowboards.

7

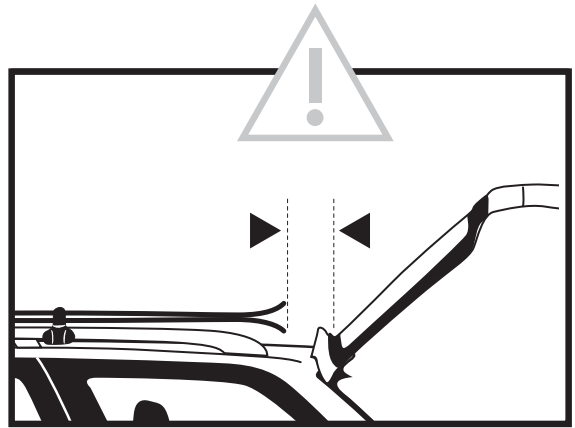


A

EN

- Turn key to horizontal position to lock.
- Test security by pushing up on hood.

B



EN

- This carrier is designed only for skis and snowboards. Check that the skis do not strike against the luggage hatch.