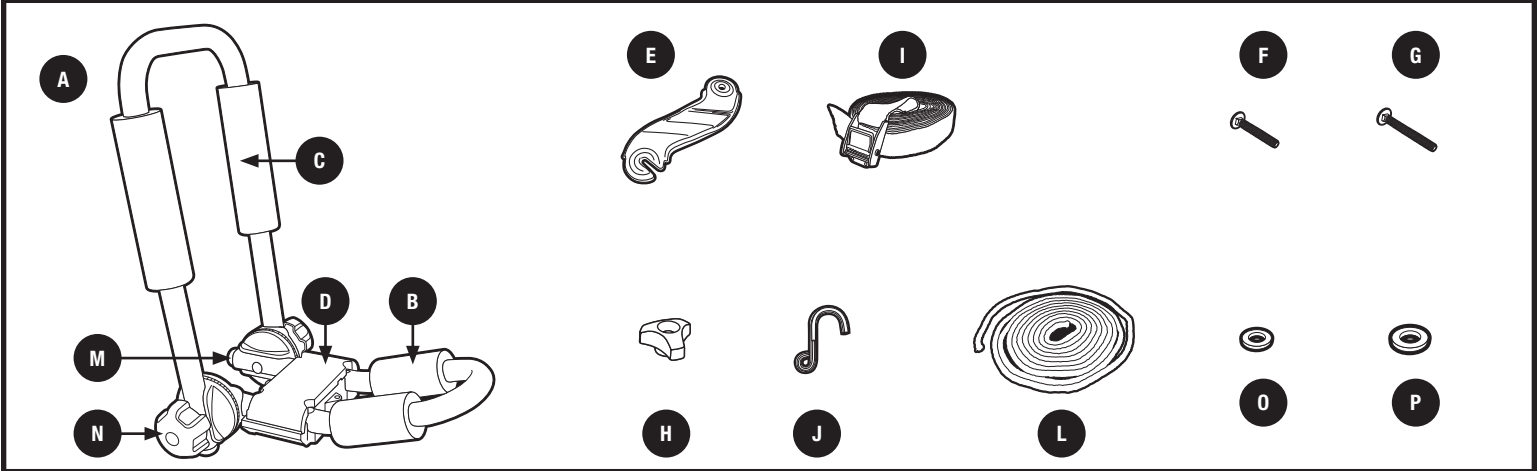


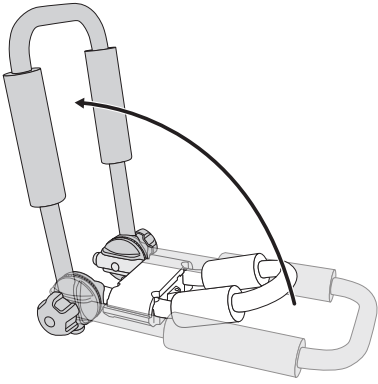
PARTS INCLUDED


part	description	part number	qty.
A	folding J assembly	—	2
B	tube pad (bottom)	—	2
C	tube pad (top)	—	4
D	base pad	8535302	2
E	metal bracket	8535837	2
F	bolt M6 x 50mm	915065031	4
G	bolt M6 x 65mm	915066531	4
H	knob M6 low	7530783	4
I	strap assembly	—	2
J	hook	8535465	2
L	1/4" rope	8535466	2
M	tube plug	8537445	4
N	knob	33044800001	4
P	washer 6 x 12	951061254	8
Q	washer 6 x 16	951061654	8

WARNINGS / LIMITATIONS

- Load bars must be at least 24" (610mm) apart for safe use.
- Always tie down bow and stern of boat to vehicle bumpers or tow hooks.
 - Do not exceed weight limitation of racks or factory installed bars.
- Compatible only with sea kayaks, white water kayaks, and other similar boats.
- Ensure load carrier or factory cross bars are properly installed and tight to vehicle.
 - Failure to follow above guidelines voids warranty.
 - Maximum boat load should not exceed 75lbs. (34kg.).
- Check clearance of rack system before entering low clearance structures.

1



- Turn knobs evenly to loosen and unfold carrier into upright position as illustrated and then re-tighten.

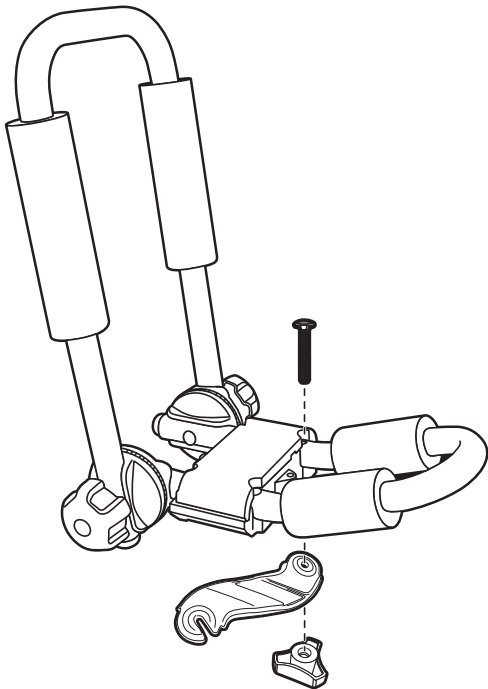
NOTE: Carrier should be set at an 110-115 degree open angle and the teeth of the hub should inter-lock once hub is tightened.

PRE-ASSEMBLY

2

For Use On Aftermarket Roof Racks

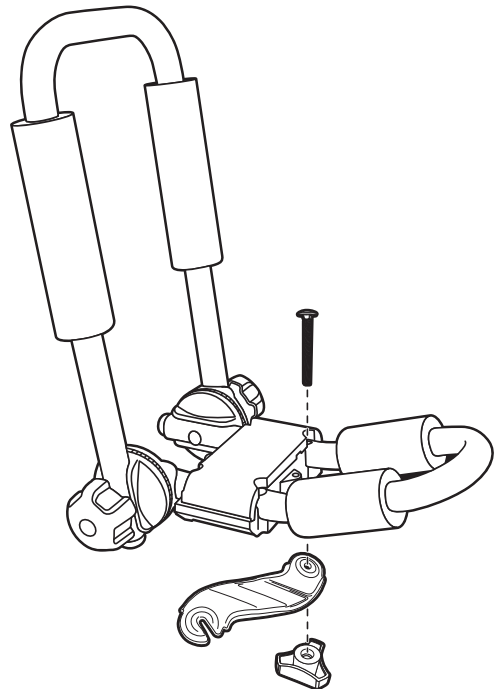
- Square load bar and round load bar.
- Loosely attach 65mm carriage bolts and knobs as shown.



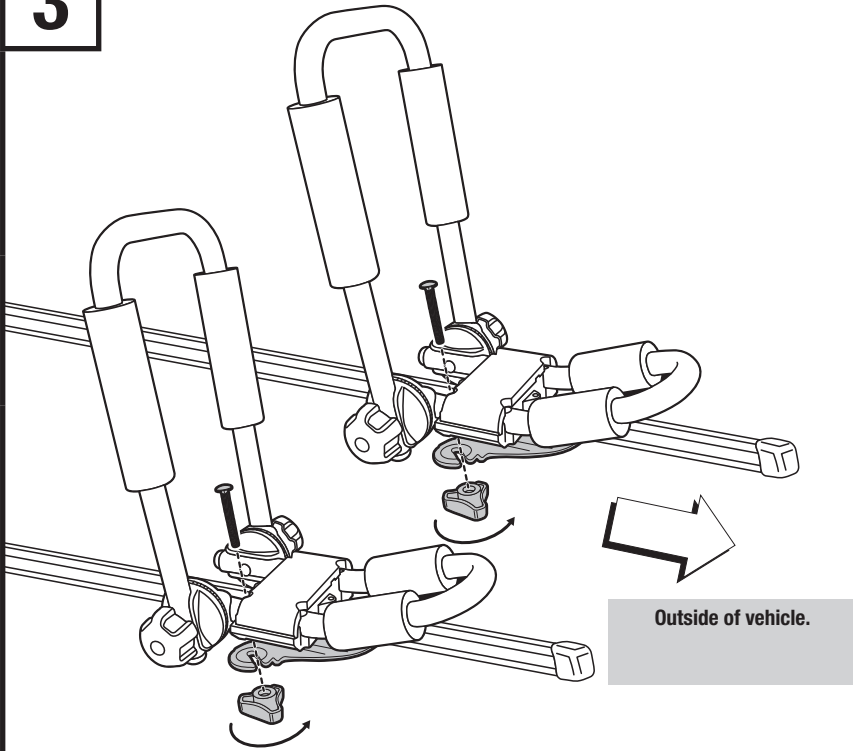
For Use On Vehicles With Factory Racks

- Look up your vehicle in the included Hardware Fit Guide.
- Identify the proper bolt length for your vehicle.
- Loosely attach carriage bolt and knobs as shown.

OR

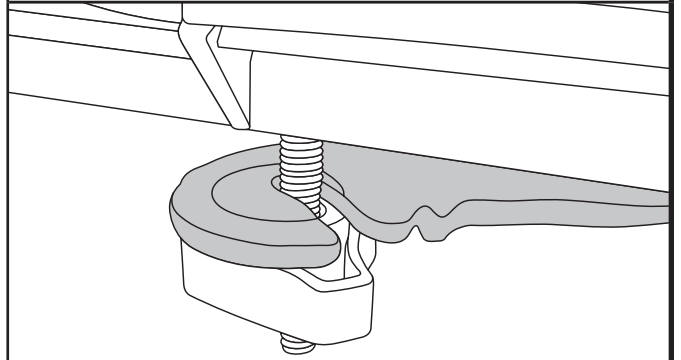


3



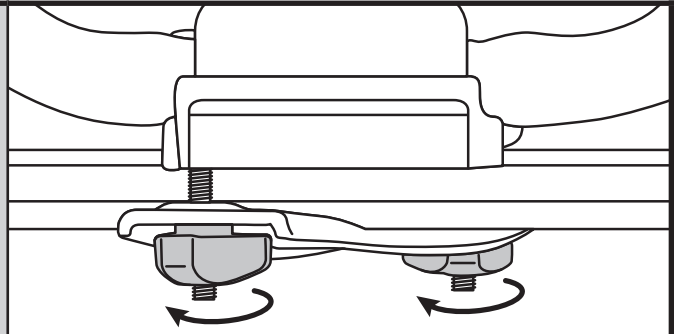
- Place carriers on bars in line with each other.
- Assemble remaining hardware as illustrated.

NOTE: Tighten all knobs firmly and evenly.

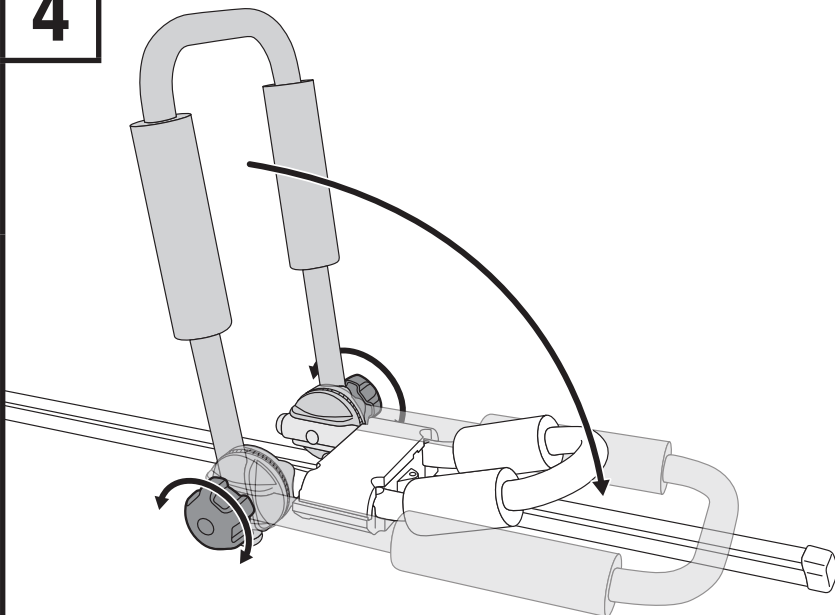


NOTE: Bars must be at least 24" (610 mm) apart for safe use.

NOTE: To remove carrier loosen knobs and swing bracket.



4

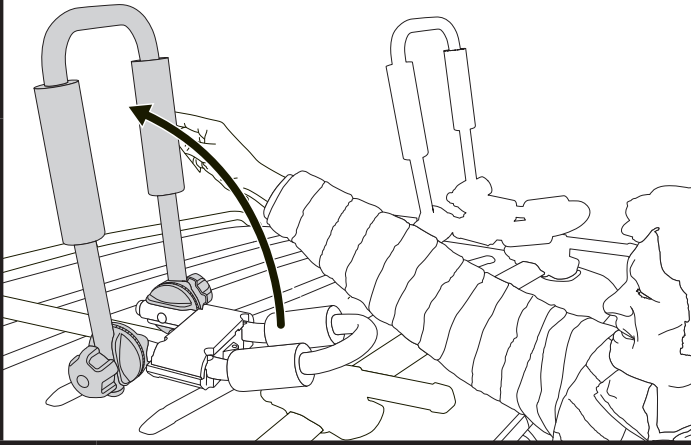


- Carrier should not extend past plane of load bar in the DOWN position. Adjust carrier as needed.

NOTE: Remember to tighten knobs when the carrier is in the folded position as illustrated.

WARNING: Do not use carrier as a handle. Do not pull on or support body weight with carrier.

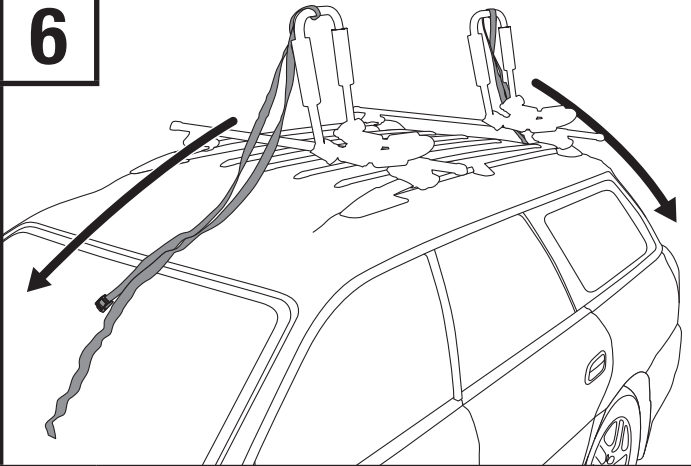
5



- Loosen the knobs and unfold carrier into upright position as illustrated and then re-tighten knobs.

NOTE: Carrier should be tightened and the teeth of the hub fully engaged before loading the boat.

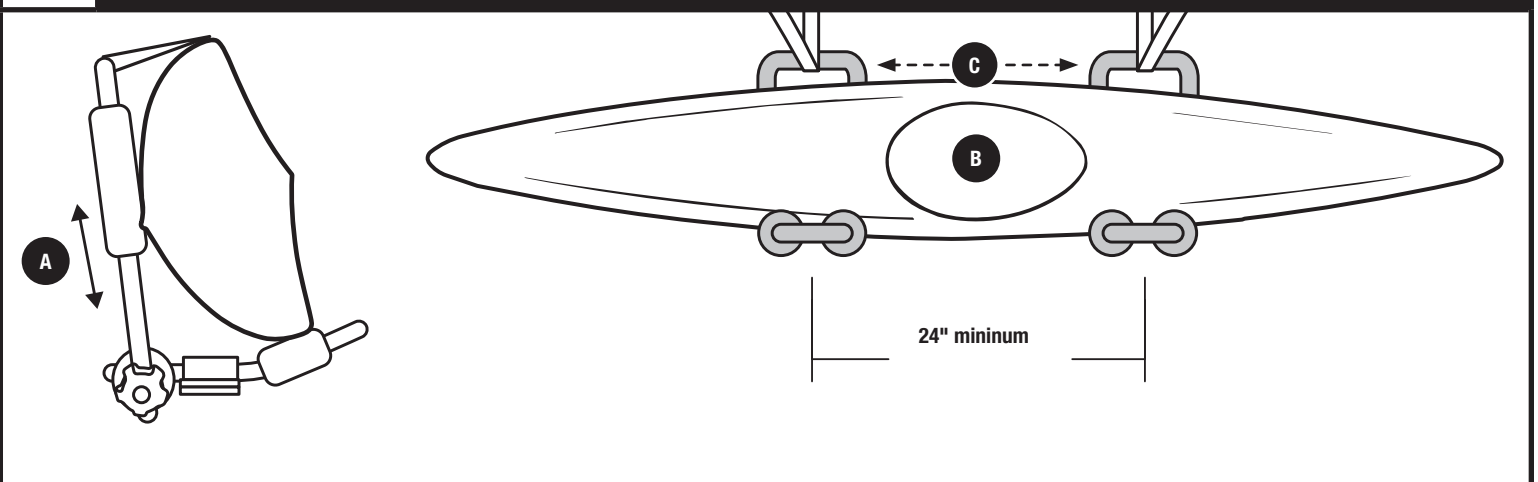
6



- Route straps through carrier above upper tube pads.

7

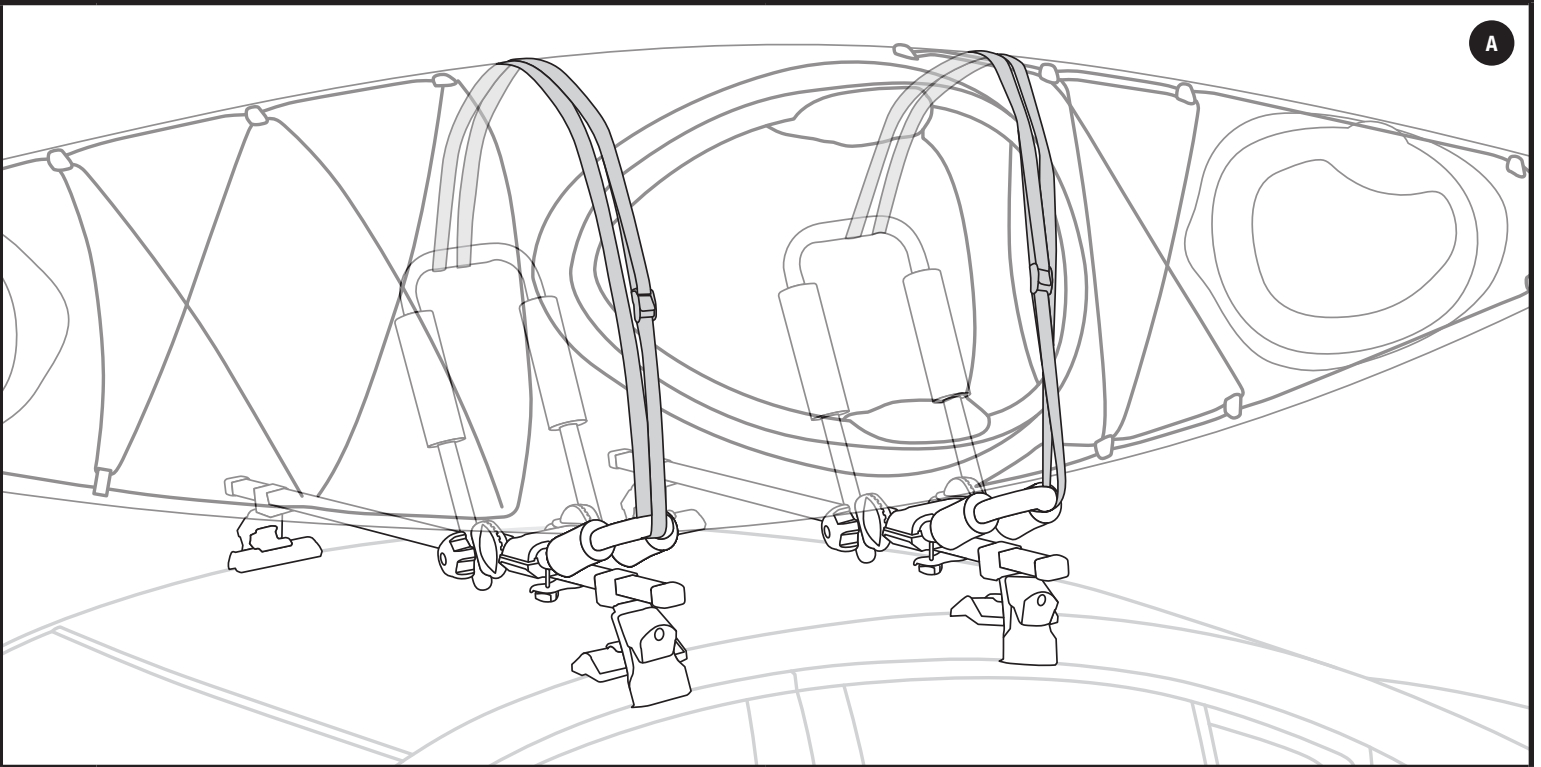
LOADING BOAT



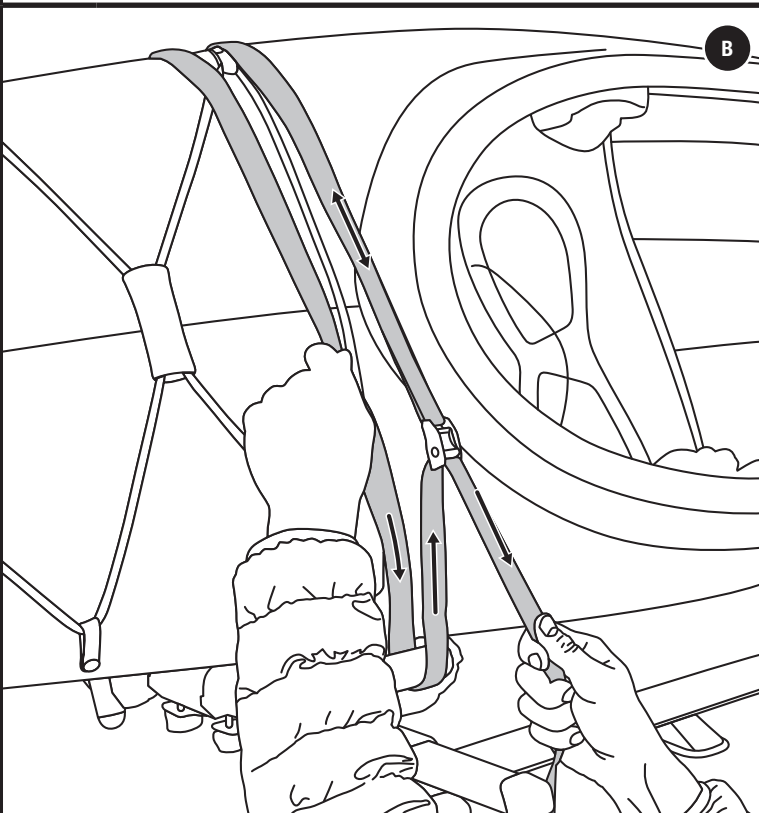
A. Adjust upper pad to fit boat.

B. Load boat with cockpit facing towards you.

C. Center boat on carriers fore & aft.



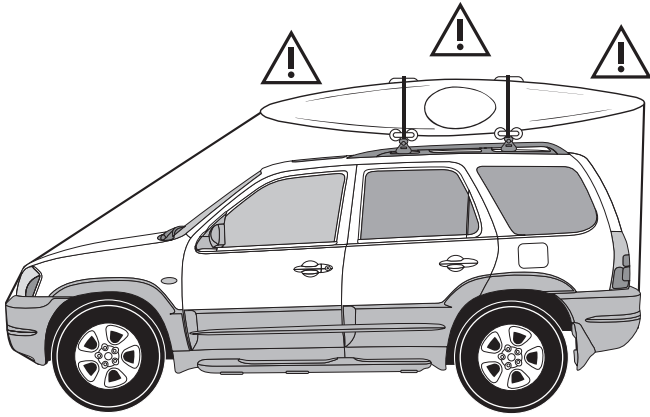
- Route straps around boat and secure to carrier as shown.
- Ensure straps do not go over cockpit cowling or other non-load bearing boat details before cinching straps.



- Make sure weight is evenly distributed front to rear. Place strap through the buckle as shown. Tighten strap.

9

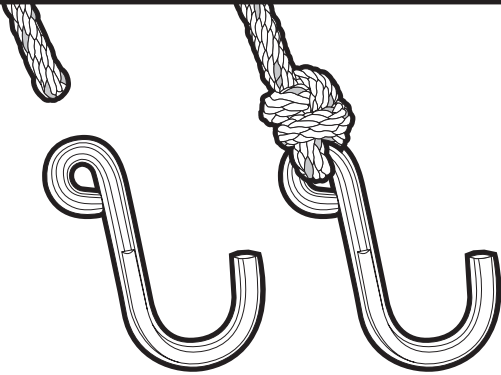
LOADING KAYAK



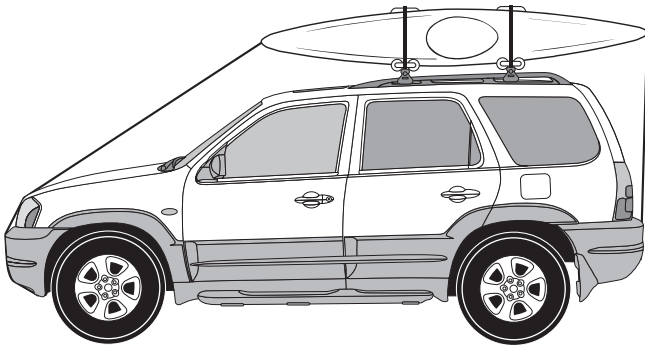
- Be sure to tie down bow & stern of kayak to vehicle bumpers or tow hooks.

10

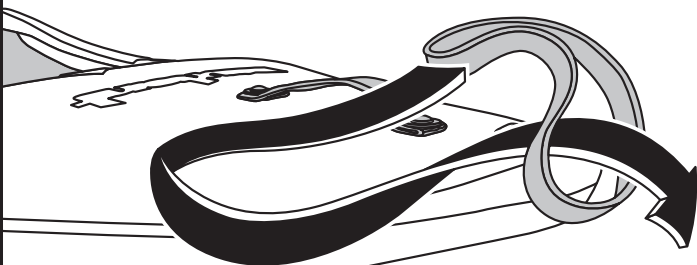
BOW • STERN TIE DOWN



A



- Carefully attach hook to end of rope.
- Attach to load at secure points.
- Secure end of rope to front and rear of vehicle.



B

- Use attachment strap for better load clearance, if necessary.

HINT: Attach strap to boat prior to loading in carrier.

SPORTRACK GUIDELINES

When using SportRack Load carriers and accessories, the user must understand the precautions. The points listed below will assist you in using the rack system and will encourage safety.

- For quality fits and safety, use only the recommended rack or accessory as stated in SportRack's current Fit Guide. Do not assume a rack will fit, always check the current Fit Guide when obtaining a new vehicle.
- Unless stated otherwise in these instructions, do not carry more than 59 kg (130 lbs.) on SportRack load carriers. SportRack load carriers do not increase gutter or roof strength. SportRack can not warranty loads that exceed this limit. Total load = cargo weight plus weight of accessories used to carry cargo.
- Always make sure all doors are open when mount-ing a roof rack system. Make sure all knobs, bolts, screws, straps, and locks are firmly attached, tightened and locked before every trip. Knobs, bolts, screws, straps and locks must be periodically inspected for signs of wear, corrosion, and fatigue. Check your load at stops during the trip to ensure continued fastening security.
- Check local and state laws governing projection of objects beyond the perimeter of a vehicle. Be aware of the width and height of your cargo since low clearance branches, bridges, and parking garages can affect the load. All cargo will affect the vehicle's driving behavior. Never drive with any lock, knob or rack in an open or unlocked position. All long loads such as, but not limited to, sailboards, surfboards, kayaks, canoes, and lumber must be tied down front and rear to the bumpers or tow hooks of the vehicle.
- Remove your SportRack rack and accessories when they are not in use and before entering automatic car washes.
- All locks must be turned and moved periodically to ensure smooth operation. Use graphite or dry lubricant to help this. SportRack locks are designed to deter vandalism and theft but should not be considered theft proof. Remove valuable gear if your vehicle is unattended for an extended period. Place at least one key in the glove compartment.
- For safety to your vehicle and rack system, obey all posted speed limits and traffic cautions. Adapt your speed to the conditions of the road and the load being carried.
- Do not use SportRack load carriers and accessories for purposes other than those for which they were designed. Do not exceed their carrying capacity. Failure to follow these guidelines or the product's instructions will void the warranty.
- All loads must be secured using the provided straps.
- Consult with your SportRack dealer if you have any questions regarding the operations and limits of SportRack products. Review all instructions and warranty information carefully.
- Not for use on trailers or towed vehicles.
- Not for offroad use.
- Keep bicycle tires away from hot exhaust.





FOLDING J KAYAK CARRIER SR5513 - FIT GUIDE

Vehicle Make and Model	Year	Recommended Bolt Size	
		50mm	65mm

Vehicle Make and Model	Year	Recommended Bolt Size	
		50mm	65mm

ACURA			
MDX	'07-13	✓	
RDX	'07-13	✓	
TSX Sport Wagon	'12-13	✓	
ZDX	'10-13	✓	
AUDI			
Allroad	'13	✓	
A4 (Avant) Wagon	'02-12	✓	
A6 Wagon	'06-11	✓	
Q5	'09-13		✓
Q7	'07-13		✓
S4 Wagon	'01-08	✓	
BMW			
X6	'09-13		✓
BUICK			
Enclave	'08-13		✓
Encore	'13		✓
Ranier	'04-07	✓	
Rendezvous	'02-07		✓
CADILLAC			
CTS Sport Wagon 5DR	'10-13	✓	
Escalade / Escalade ESV	'99-13	✓	
Escalade EXT Pickup	'02-13	✓	
SRX (Except "Sport Models")	'04-13	✓	
CHEVROLET			
Astro Van (Cargo & Passenger)	'94-05	✓	
Avalanche	'02-13		✓
Blazer	'95-05	✓	
Equinox	'05-13		✓
HHR	'06-11		✓
Suburban / Suburban Z71	'92-13	✓	
Tahoe / Tahoe Z71	'95-13	✓	
Tracker	'02-04		✓
Trax	'13	✓	
Traverse	'09-13		✓
Venture	'97-04	✓	
CHRYSLER			
Pacifica	'04-08	✓	
PT Cruiser	'01-10		✓
Town & Country	'96-13	✓	
Voyager / Grand Voyager	'01-03	✓	
DODGE			
Caliber / SRT4 / SXT	'07-12	✓	
Caravan / Grand Caravan	'96-13	✓	
Durango / Durango Sport	'98-13	✓	
Journey	'08-13	✓	
Nitro	'07-11	✓	

FORD			
Edge / Edge Sport	'07-13	✓	
Escape	'01-13	✓	
Escape (Glass Roof)	'13	✓	
Expedition / Expedition EL	'97-13		✓
Explorer	'91-13		✓
Explorer Sport	'01-03		✓
Explorer Sport Trac	'01-10		✓
Flex	'08-13	✓	
Freestar	'04-07	✓	
Taurus Wagon	'96-06	✓	
Windstar	'98-03	✓	
GMC			
Acadia	'07-13		✓
Denali	'98-04		✓
Denali XL	'00-04		✓
Envoy	'98-01	✓	
Jimmy	'95-01	✓	
Safari Van (Cargo & Passenger)	'90-05	✓	
Suburban	'92-99	✓	
Terrain	'10-13	✓	
Terrain Denali	'12-13	✓	
Yukon / Yukon XL	'92-13	✓	
Yukon Denali / Yukon Denali XL	'07-13	✓	
HONDA			
Crosstour	'10-13		✓
CR-V	'02-13		✓
Element / Element SC	'03-11	✓	
Odyssey	'01-13		✓
Passport	'98-02	✓	
Pilot	'03-13	✓	
Ridgeline / Ridgeline Sport	'06-13		✓
HUMMER			
H3	'05-10		✓
H3T	'09-10		✓
HYUNDAI			
Entourage	'07-10	✓	
Santa Fe	'01-12	✓	
INFINITI			
EX 35	'08-12		✓
EX 37	'13		✓
FX 35	'03-13		✓
FX 45	'03-08		✓
FX 50	'09-13		✓
QX4	'97-03		✓
QX56	'04-13		✓
ISUZU			
Ascender	'03-10	✓	

Vehicle Make and Model	Year	Recommended Bolt Size	
		50mm	65mm

ISUZU (continued)			
Rodeo	'98-04	✓	
JEEP			
Commander (Standard Crossbars)	'06-10		✓
Compass / Rallye	'07-13	✓	
Grand Cherokee	'93-13	✓	
Liberty	'02-12	✓	
Patriot	'07-13	✓	
KIA			
Borrego	'09-12		✓
Carens	'07-12	✓	
Rondo	'07-12	✓	
Sedona	'02-12	✓	
Sorento	'03-13		✓
Soul	'10-13		✓
Sportage	'11-13	✓	
LAND ROVER			
LR2	'07-13		✓
LEXUS			
GX	'03-13	✓	
LX	'99-13		✓
RX	'04-13	✓	
LINCOLN			
Aviator	'03-05		✓
MKX	'07-13		✓
Navigator	'98-12		✓
MAZDA			
CX-9	'07-13		✓
MPV	'00-06		✓
Protégé 5 Wagon	'02-03		✓
Tribute	'01-11		✓
MERCURY			
Mariner	'05-10	✓	
Monterey	'04-07		✓
Mountaineer	'96-10		✓
Sable Wagon	'96-05		✓
Villager	'93-02	✓	
MINI			
Clubman	'08-13		✓
MITSUBISHI			
Endeavor	'04-11		✓
Montero Sport	'97-00		✓
NISSAN			
Frontier 4DR Crew Cab	'00-13		✓
Murano	'03-13		✓
Pathfinder	'96-13		✓
Quest	'99-13		✓
Rogue	'08-13		✓
OLDSMOBILE			
Bravada	'91-04	✓	
Silhouette	'97-04	✓	
PONTIAC			
Aztek	'01-05	✓	

Vehicle Make and Model	Year	Recommended Bolt Size	
		50mm	65mm

PONTIAC (continued)			
Montana	'99-05		✓
Torrent	'06-09	✓	
Trans Sport	'97-98	✓	
Vibe	'03-10	✓	
PORSCHE			
Cayman	'06-13		✓
SATURN			
Outlook	'07-10		✓
Vue	'02-05		✓
SUBARU			
Baja 4DR	'03-07	✓	
Forester	'98-13		✓
Impreza 5DR	'12-13		✓
Impreza WRX / WRX STI 4DR	'02-13		✓
Impreza WRX / WRX STI 5DR	'02-13		✓
Legacy Wagon	'95-99		✓
Outback Sport	'02-11	✓	
Outback Sport / WRX / STI Wagon	'02-11		✓
Outback Wagon	'00-13		✓
Tribeca	'06-13		✓
XV Crosstrek	'12-13		✓
SUZUKI			
Grand Vitara	'06-13	✓	
XL-7	'07-09	✓	
TOYOTA			
4Runner	'90-13	✓	
FJ Cruiser	'07-13		✓
Highlander	'01-13		✓
Land Cruiser	'98-13		✓
Matrix	'03-13	✓	
RAV4	'01-12		✓
Sequoia	'01-13		✓
Sienna	'98-13	✓	
Tacoma 4DR Quad Cab	'05-13	✓	
Venza	'09-13	✓	
VOLKSWAGEN			
Golf Wagon (Canada)	'10-12	✓	
Jetta SportWagen	'09-13	✓	
Routan	'09-13	✓	
Tiguan	'08-13		✓
VOLVO			
V50	'05-11		✓
V70	'98-10		✓
V70 XC	'98-10		✓
XC60	'09-13		✓
XC70	'01-13		✓
XC90	'03-13		✓