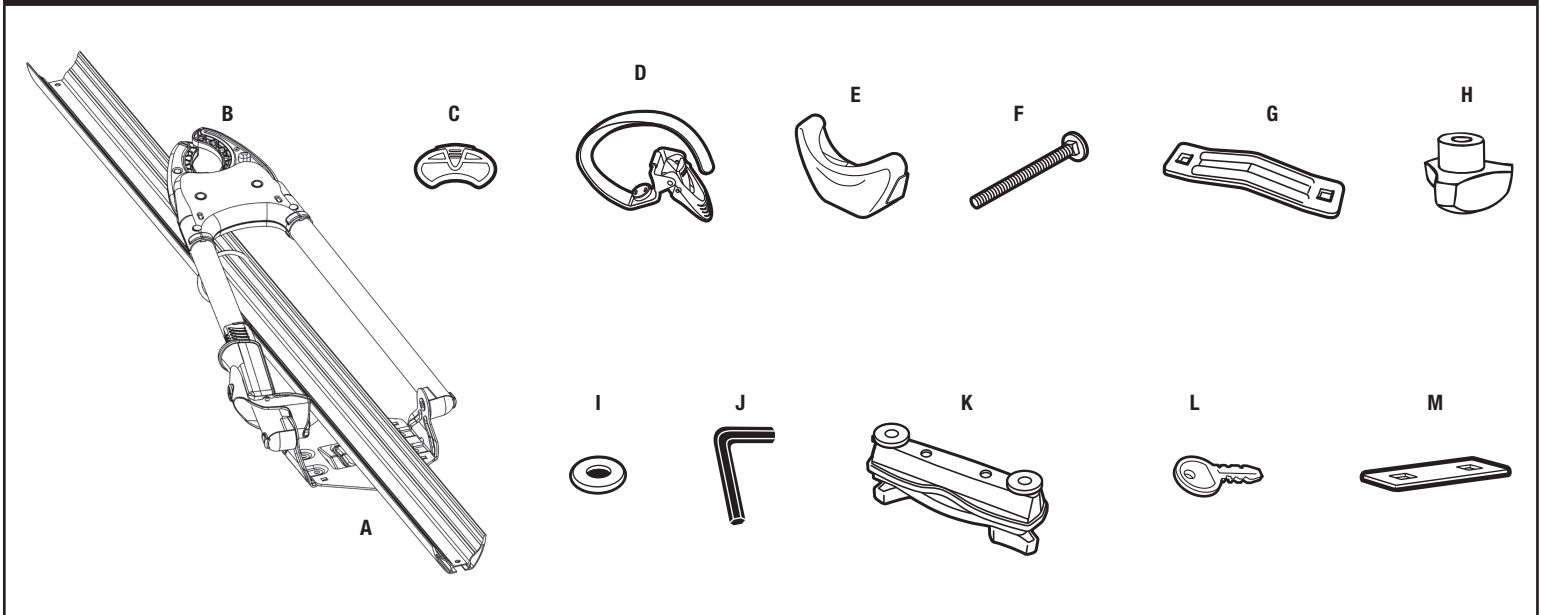


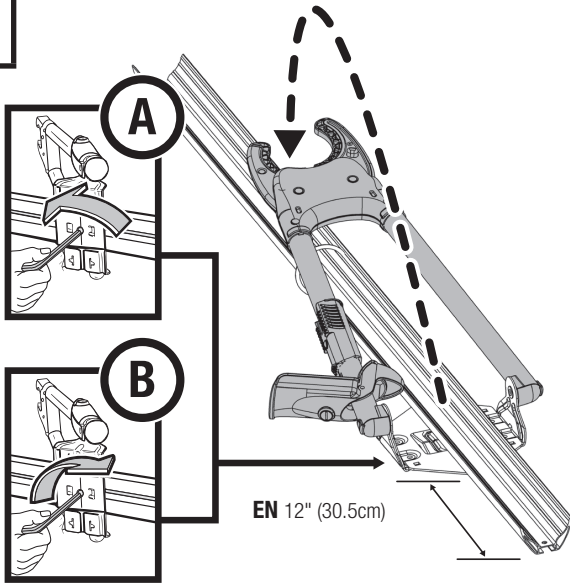
EN = North American English

EN PARTS INCLUDED



EN part	EN description	EN item number	EN qty.
A	EN wheel tray	85370205602	1
B	EN upright carrier	753239003	1
C	EN road bike adapter	8535426	2
D	EN wheel strap	7533001	2
E	EN end cap	7533236	2
F	EN carriage bolt	915066531	4
G	EN bracket	8535513	2
H	EN 3 wing knob	7530783	4
I	EN washer	951061611	4
J	EN hex key	853-0930	1
K	EN rear bracket assembly /	7524683001	1
L	EN key	YXXX	1
M	EN rectangular washer	853033302	2

1

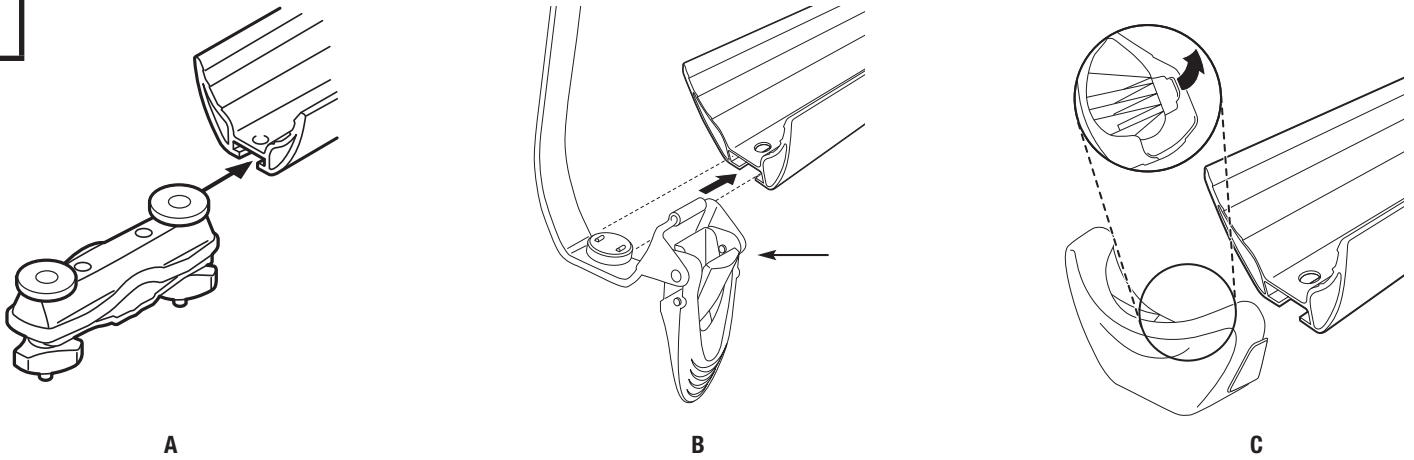


EN

FOR DRIVER'S SIDE MOUNTING

- A Loosen down tube holder assembly on bottom of tray with hex key and slide down to the opposite end of tray.
- B Position front edge of down tube holder plate 12" (30.5cm) from the end of the tray and re-tighten.

2

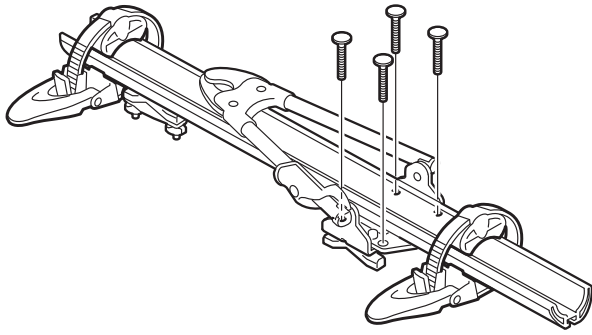


EN

REAR HARDWARE

- A Slide rear bracket assembly into tray channel.
- B Slide strap into tray channel. (One front - One rear)
 - Buckle on same side as lock.
- C Flex tab up.
 - Slide end cap on front and rear.

3



EN

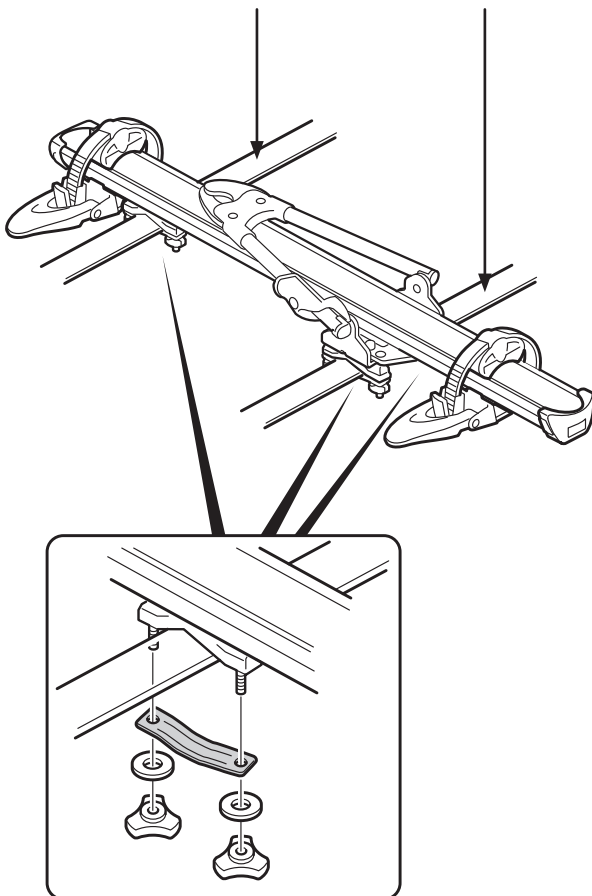
FRONT HARDWARE

- Insert carriage bolts into front plate.

4

EN REAR CROSSBAR

EN FRONT CROSSBAR

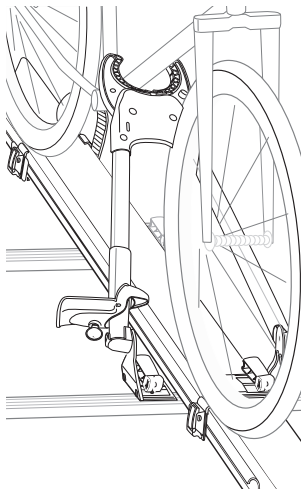


EN

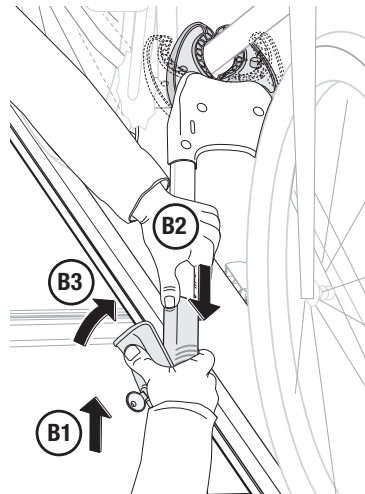
CARRIER INSTALLATION

- Attach carrier to crossbars using 1 bracket, 2 washers, and 2 knobs at each of the 3 mounting positions.

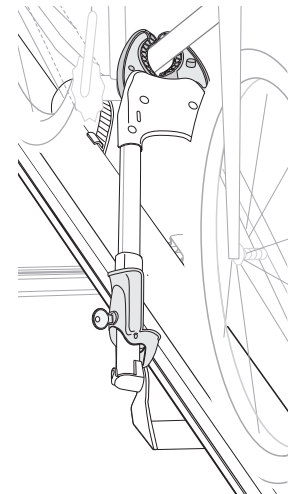
5



A



B



C

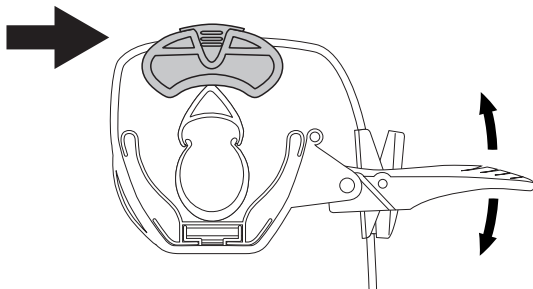
EN

BIKE INSTALLATION

- A Center downtube in middle of jaws.
- B1 Release handle from open position (jaws will clamp downtube).
- B2 Push down on slider.
- B3 Engage handle with slider and close fully.
- C **CAUTION:** Make sure handle is fully closed and jaws are secure on bike downtube.

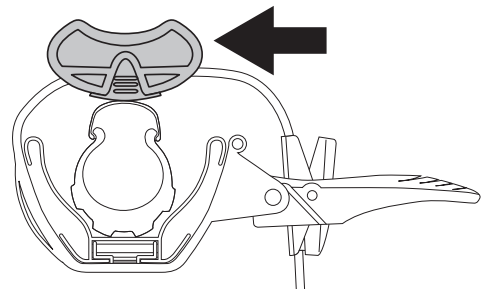
6

EN Road bike



A

EN Mountain bike



B

EN

SECURE REAR TIRE

- A Slide on adapter.
- B Invert or remove for mountain bikes.