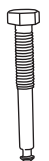
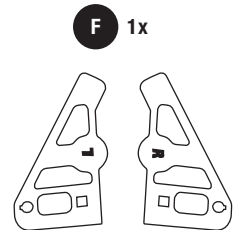
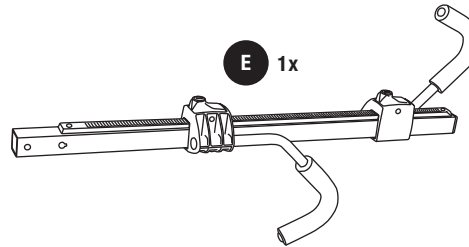
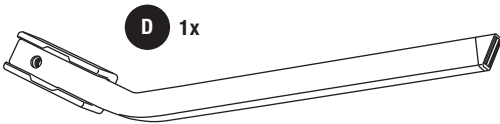
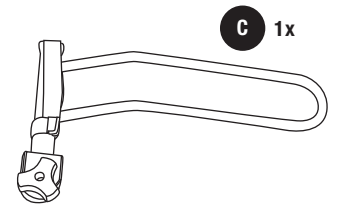
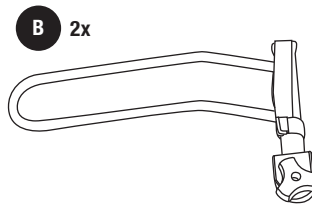
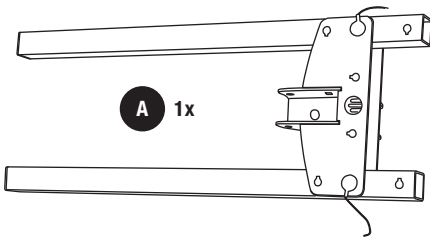




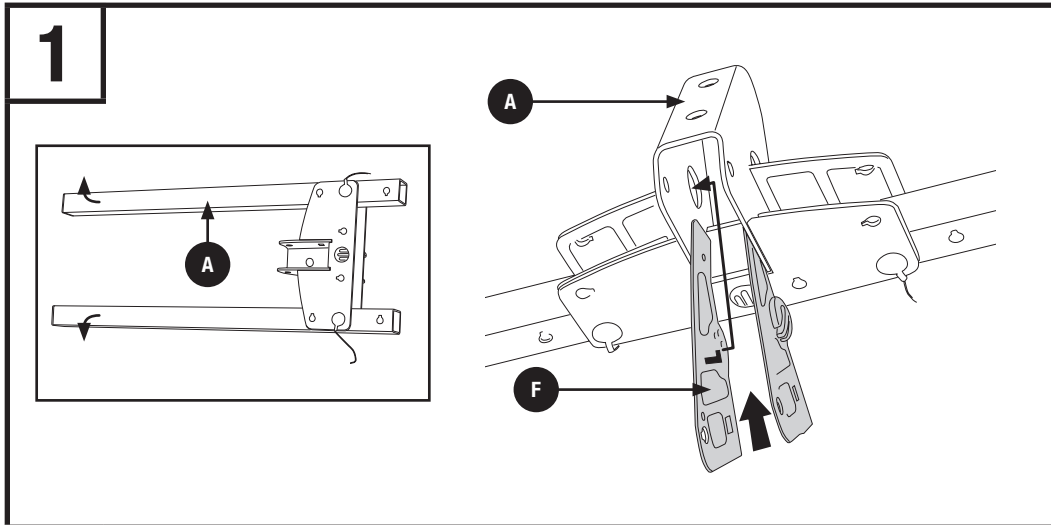
MAX
 45 Lb
 20 Kg
 1 BIKE

MAX
 90 Lb
 40 Kg
 2 BIKES

PARTS INCLUDED



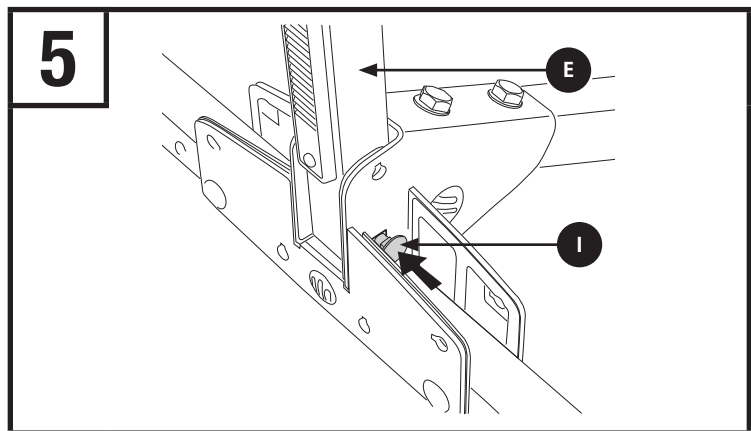
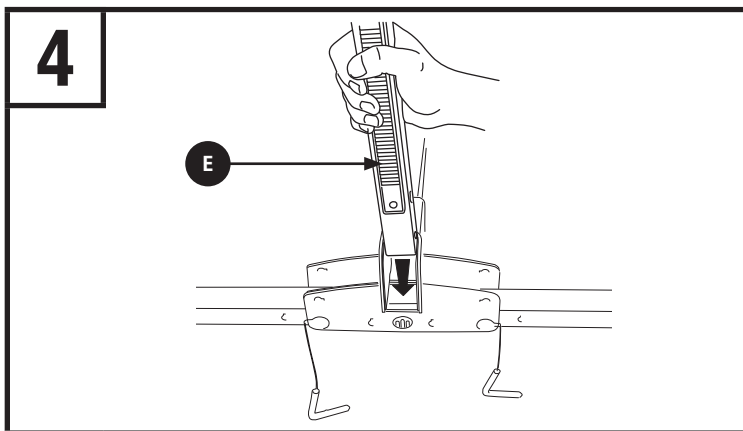
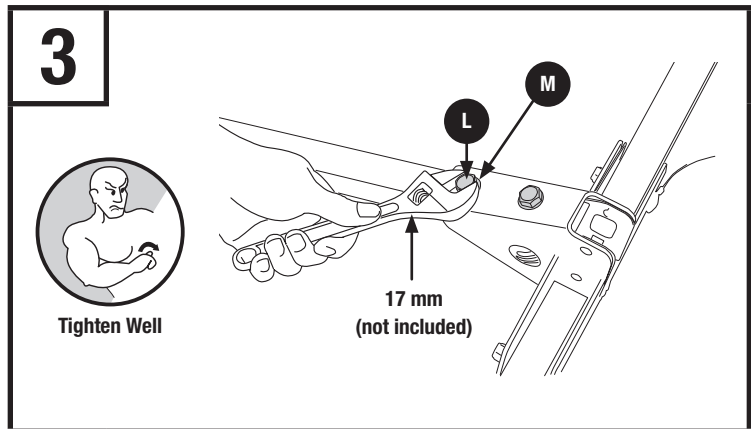
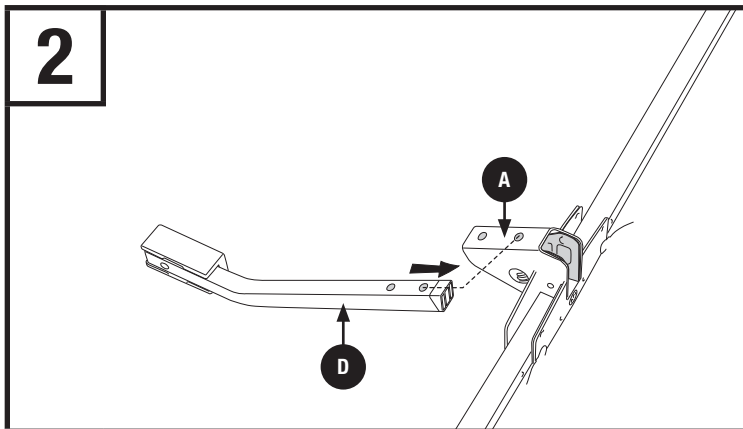
- 2 Bike maximum carrying capacity
= 90 lbs./40Kg
- Fits 20-29" wheels up to 3" wide.
- Can work with bikes with fenders.
- Check tightness off all bolts periodically.
- Check straps for wear and replace periodically.
- Not intended for off-road use.
- Not intended for tandems or recumbents.
- Do not install on trailer or towed vehicle.

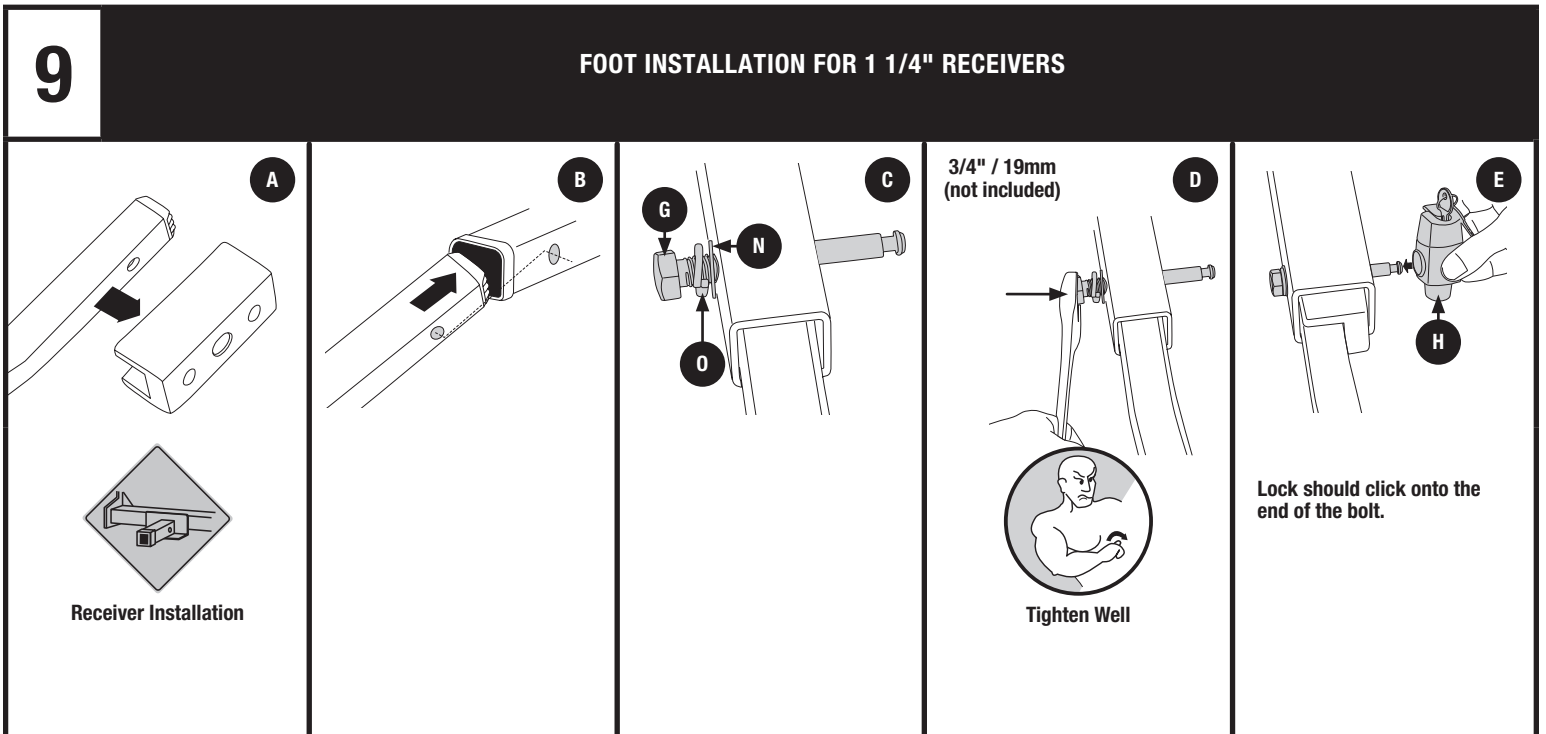
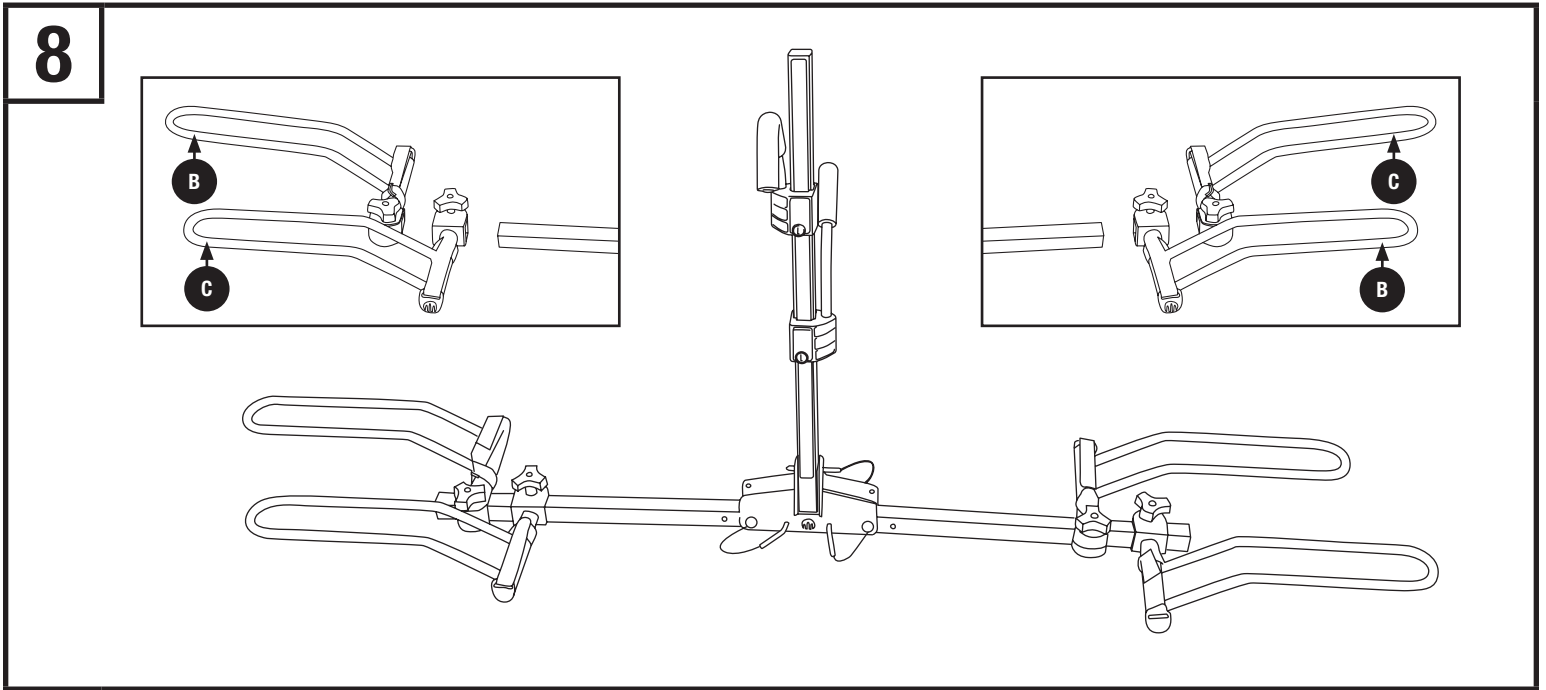
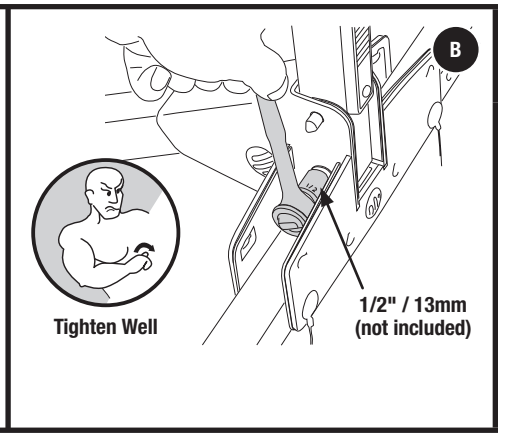
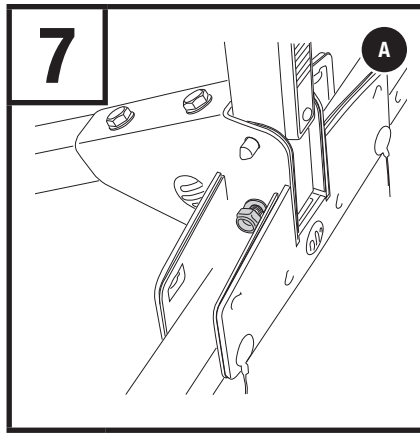
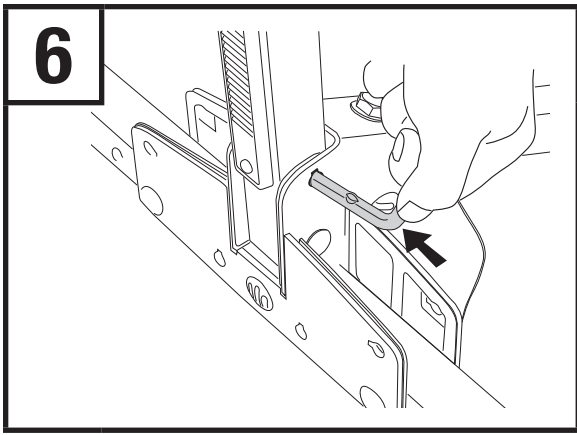


IMPORTANT

Do not over tighten.

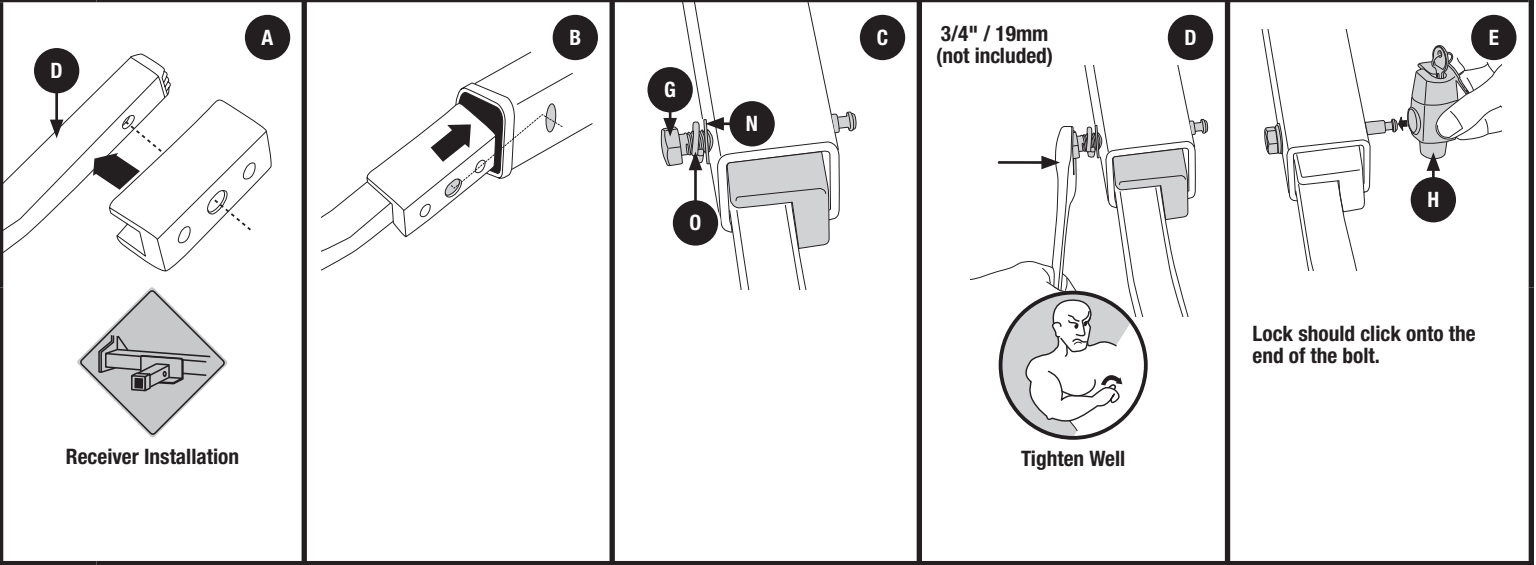
Do not use power or pneumatic tools.





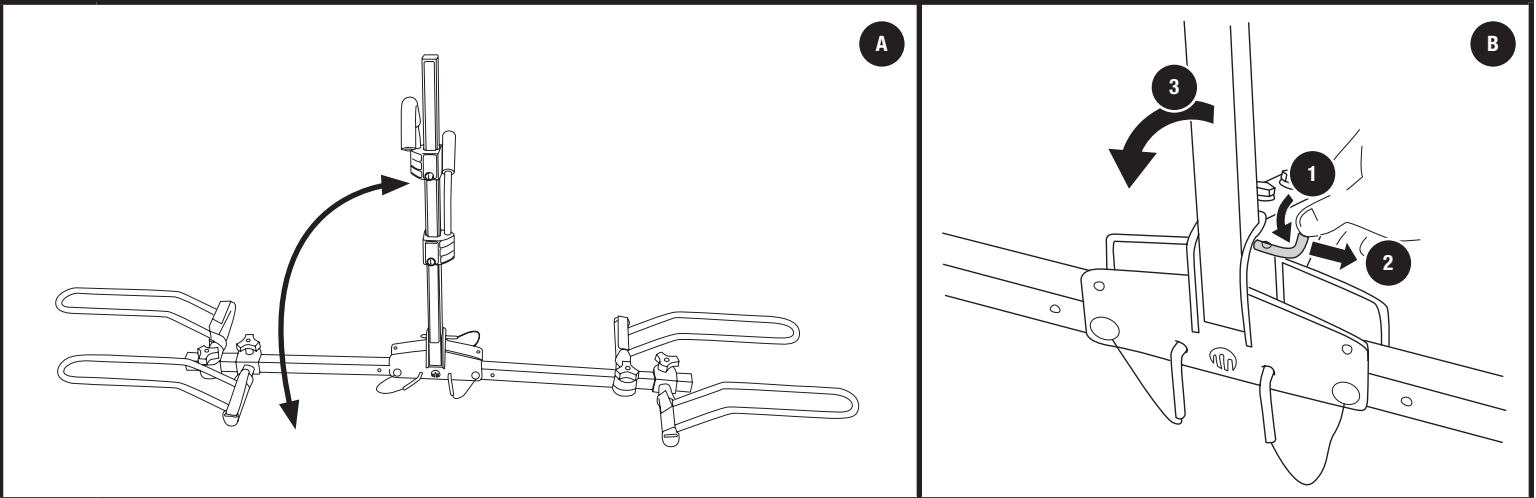
10

FOOT INSTALLATION FOR 2" RECEIVERS

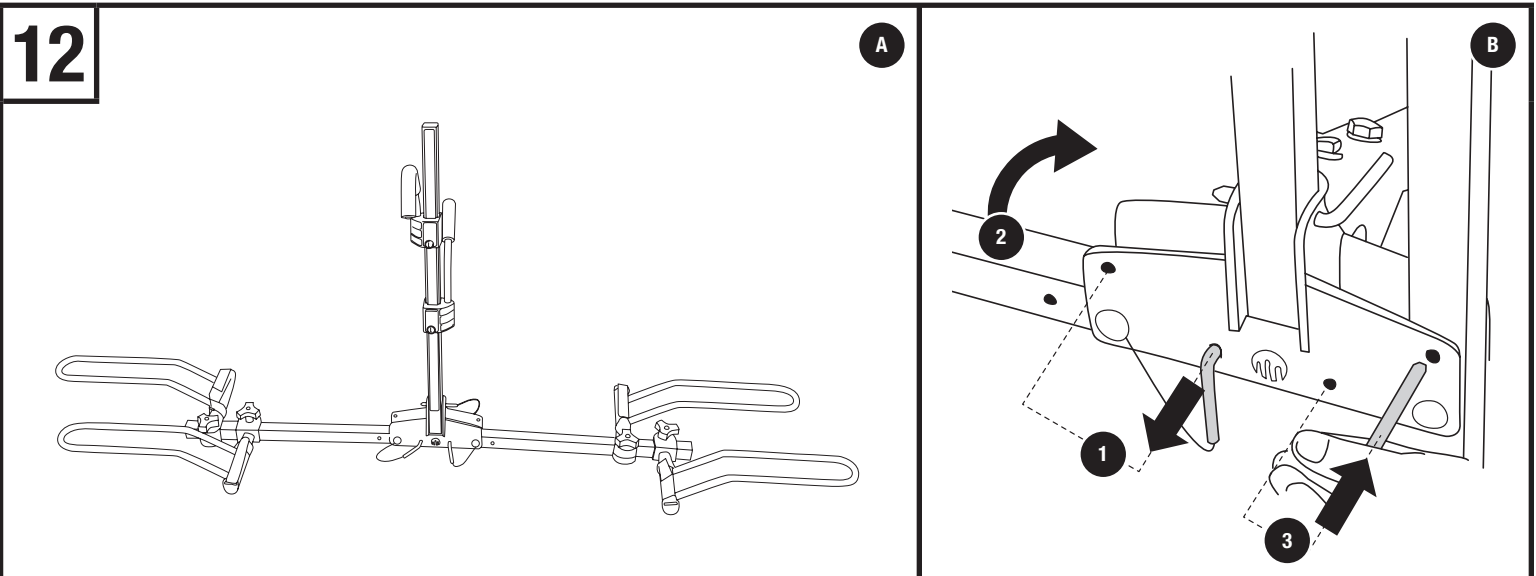


11

THE RACK IS NOW READY TO LOAD BIKES.



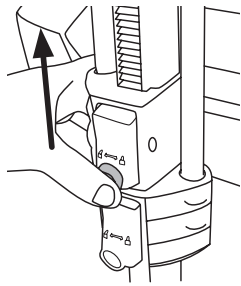
12



13

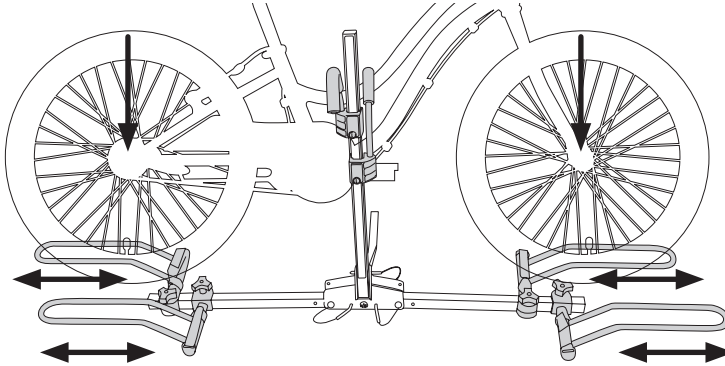


Bicycle Installation



Raise the hooks by depressing the grey buttons and sliding the hooks upward on the mast.

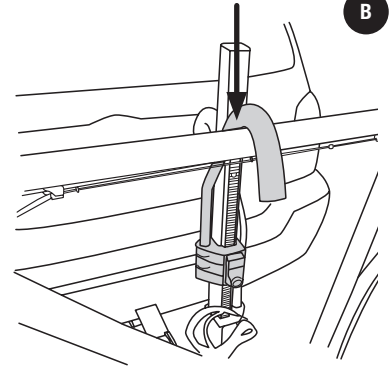
14



Place the bike on the bike tray with the wheels in the wheel trays and push down hook firmly until top tube fits snug against top bend of hook underside. If loading two bikes, load the first bike (heaviest bike) onto the tray closest to the vehicle.

A

B

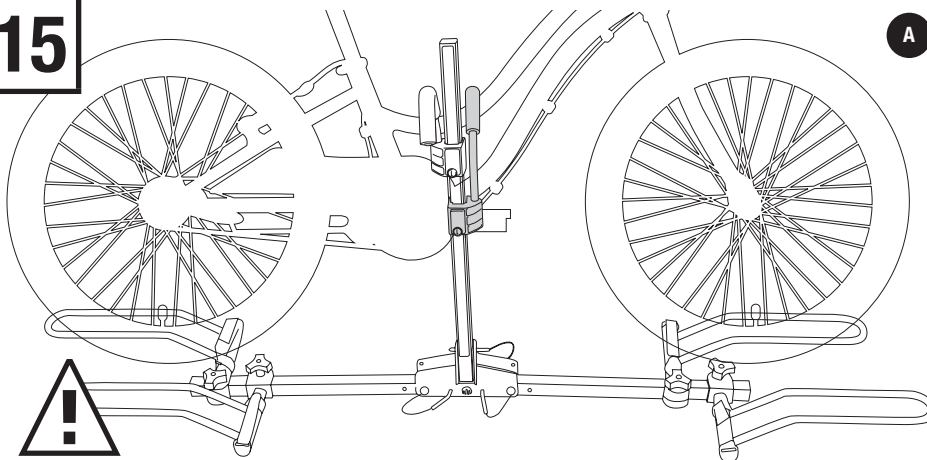


Push down hook firmly

15

A

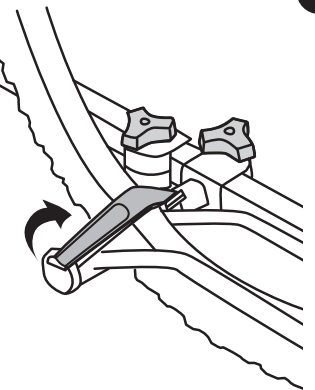
B



ALWAYS POSITION SMALLER BICYCLE BETWEEN THE BICYCLE SUPPORT AND THE CAR BUMPER. THE BUYER SHOULD BE AWARE THAT THE COMBINED WEIGHT OF THE BICYCLE CARRIER (30 lbs/13.6 kg) AND BICYCLES COULD EXCEED THE MAXIMUM WEIGHT ALLOWED FOR A TRAILER OR A FIFTH-WHEEL. NOT RESPECTING THE PERMISSIBLE MAXIMUM LOAD AUTOMATICALLY VOIDS WARRANTY



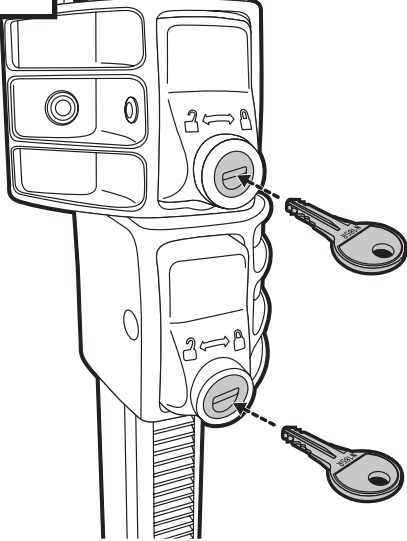
Tighten Well
Bien Serrer
Apretar Bien
Aperte bem



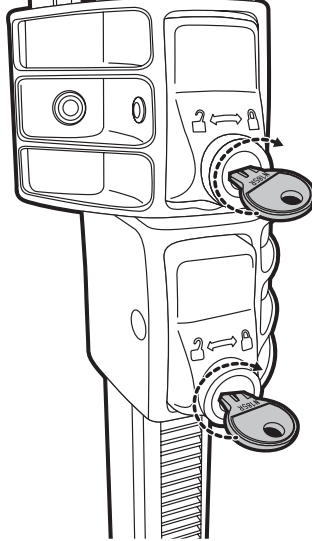
Attach wheel straps to front and rear wheels as shown. Check security of bike. Tighten down hook or wheel straps if needed.

16

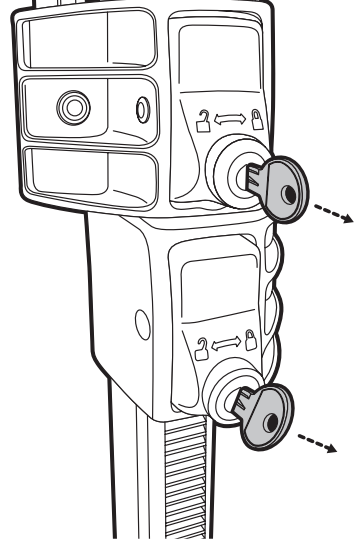
A



B



C



To lock the bikes to the carrier.