

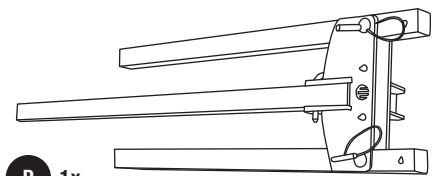
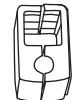
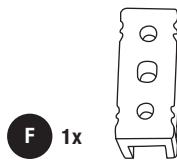
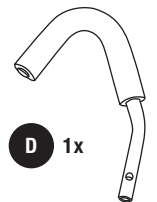
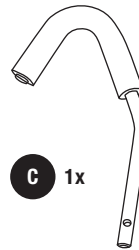
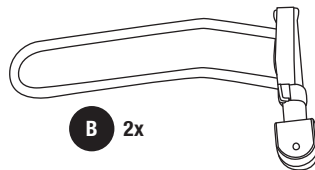
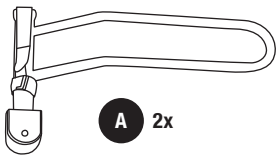


Optional locking kits available: SR0022 • SR0901

MAX
 45 Lb
 20 Kg
 1 BIKE

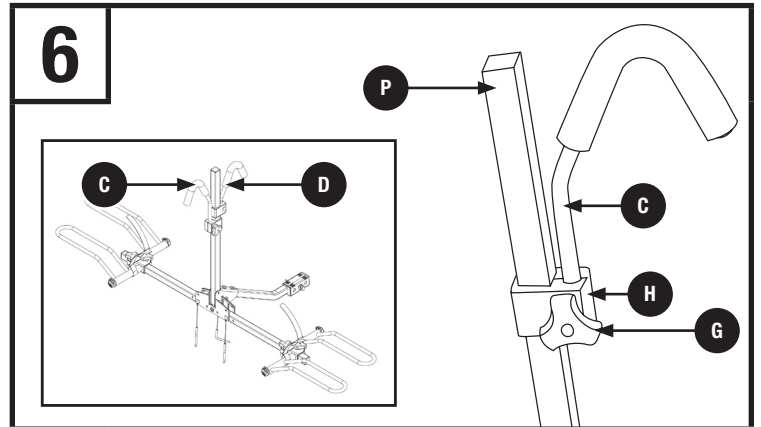
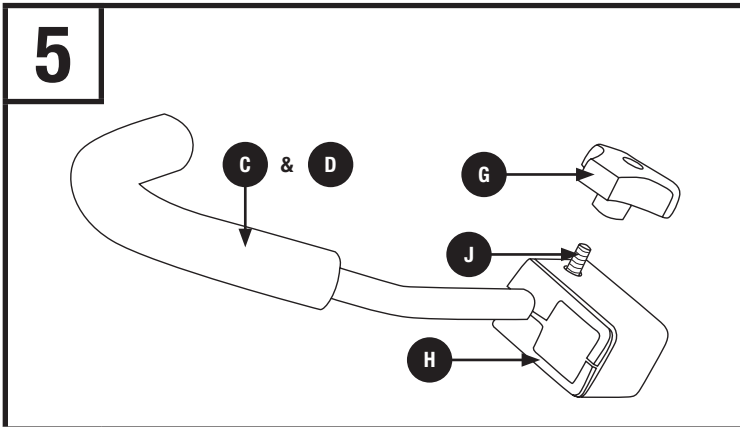
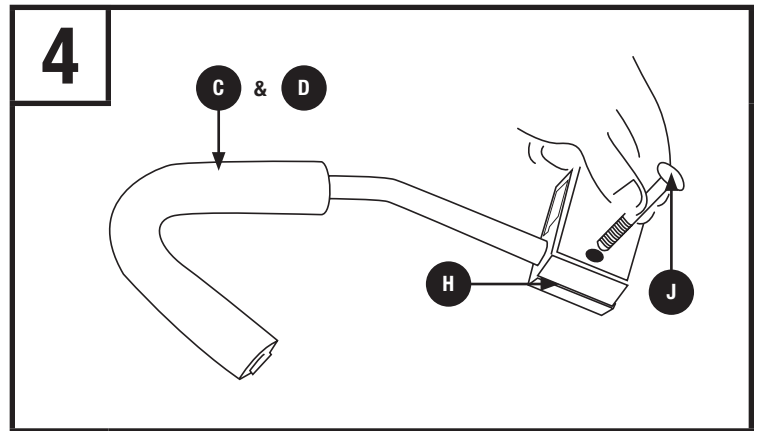
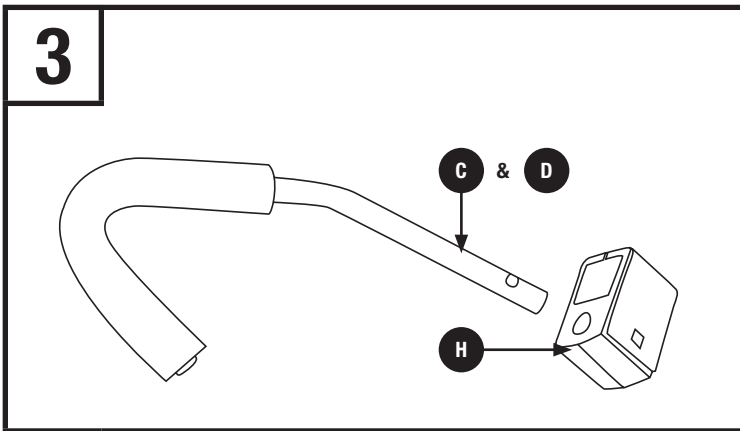
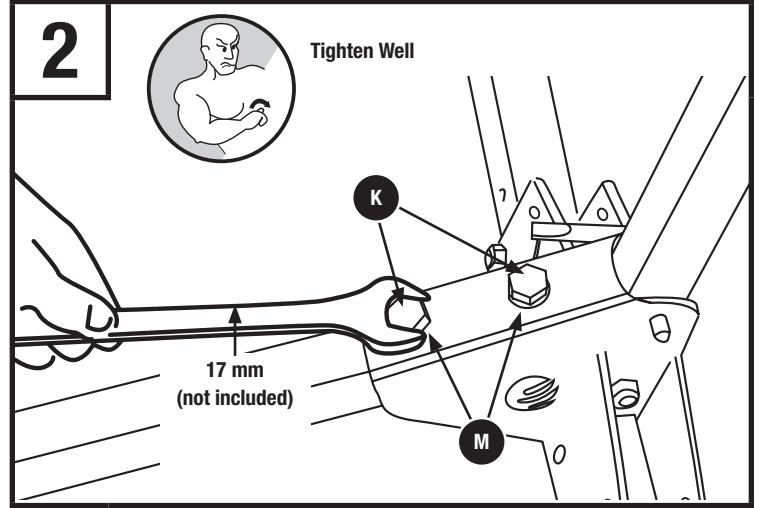
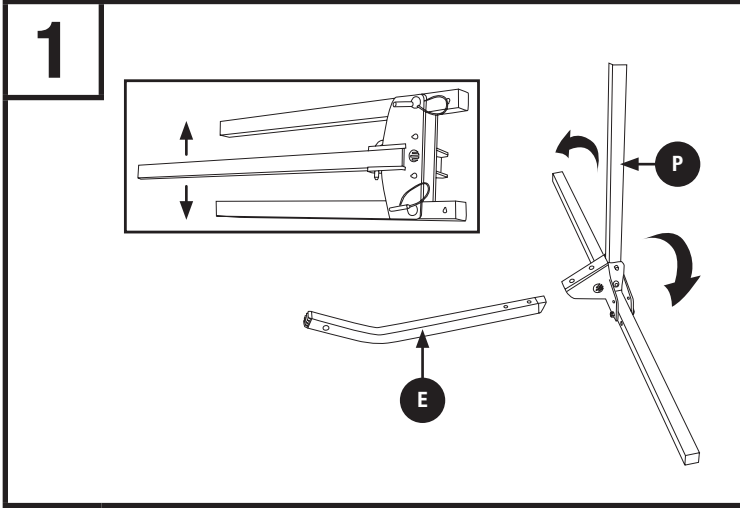
MAX
 90 Lb
 40 Kg
 2 BIKES

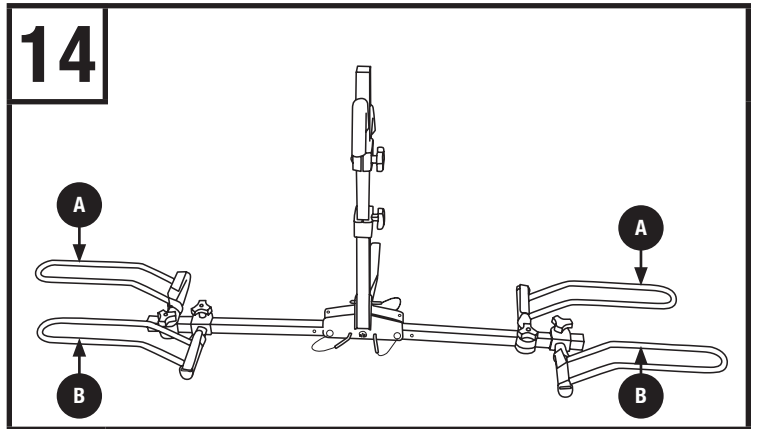
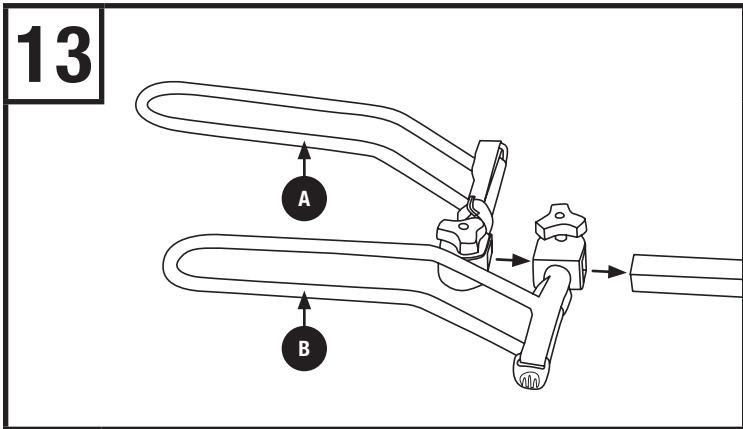
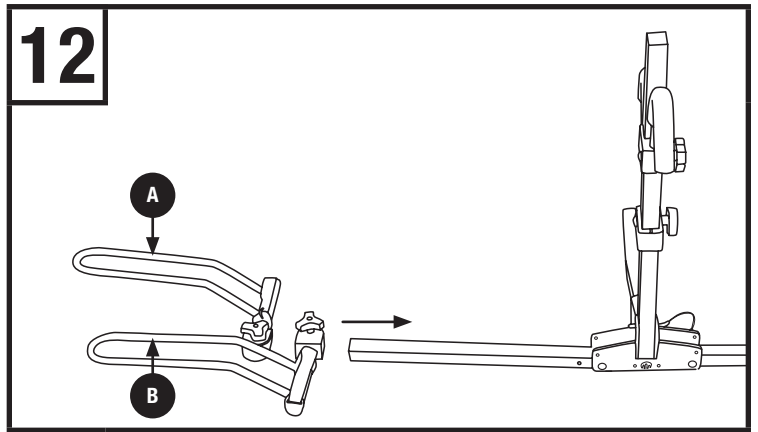
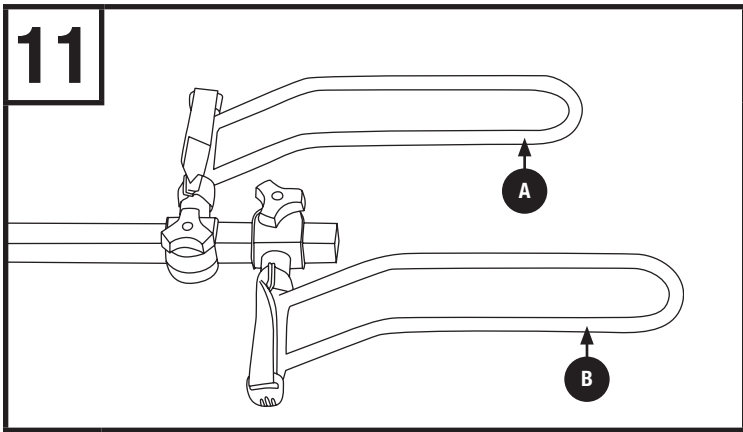
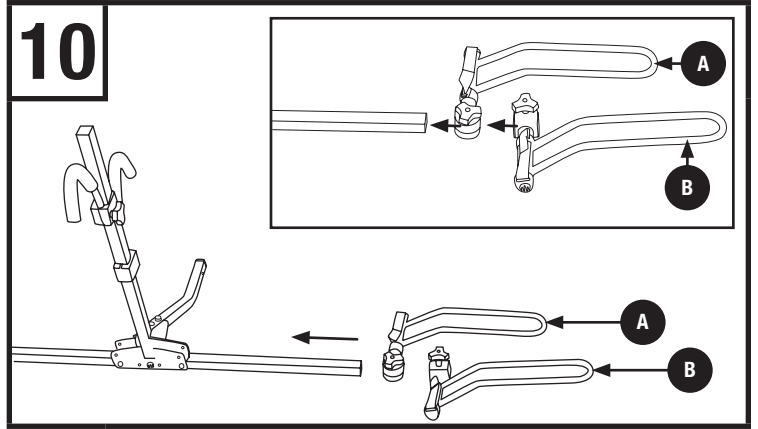
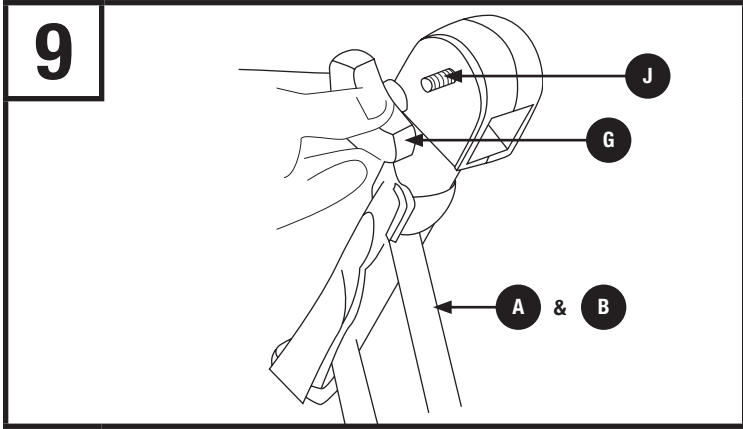
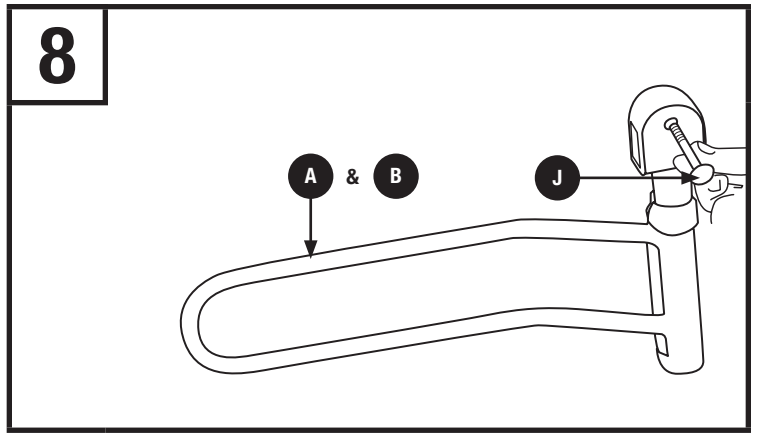
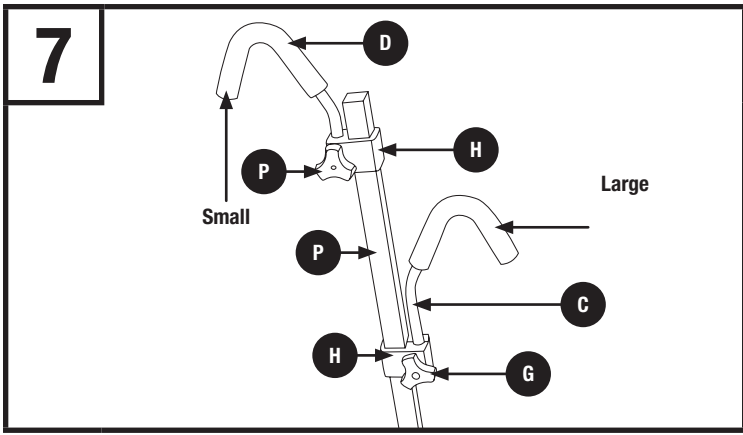
PARTS INCLUDED

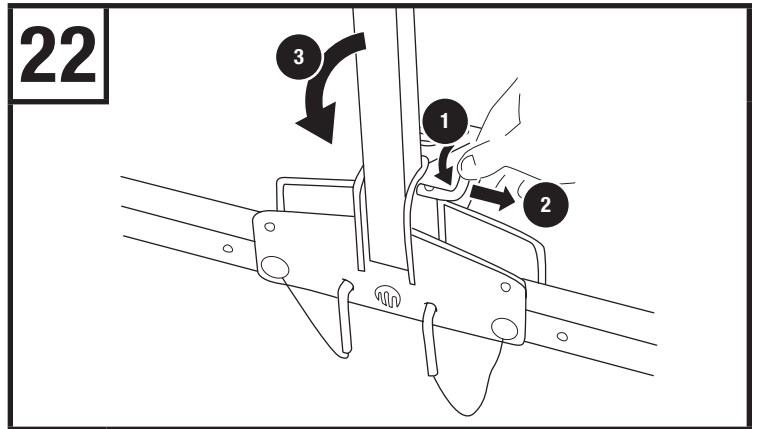
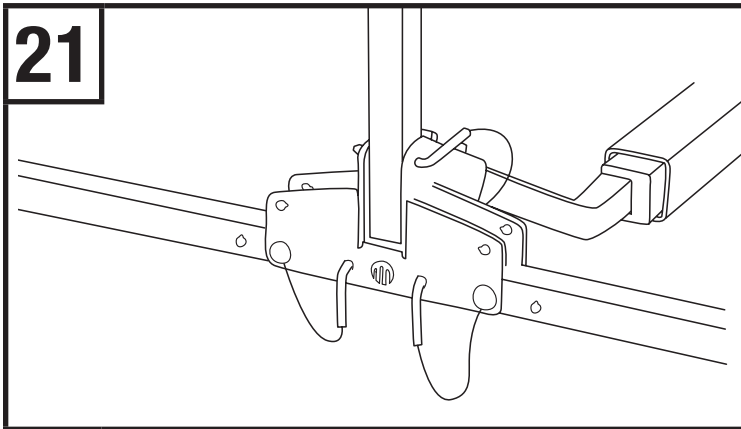
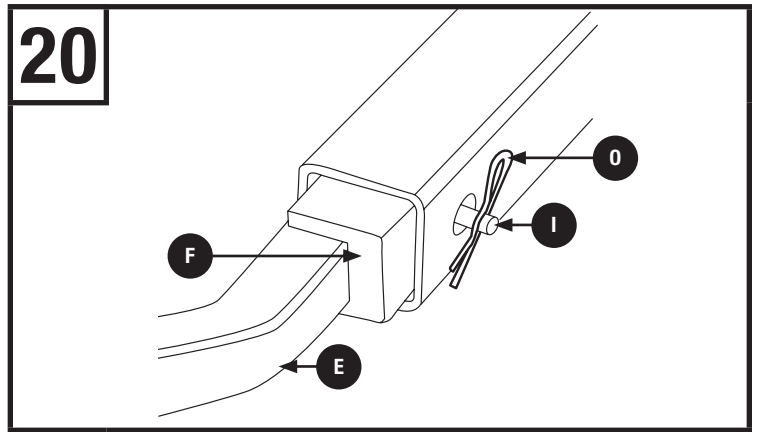
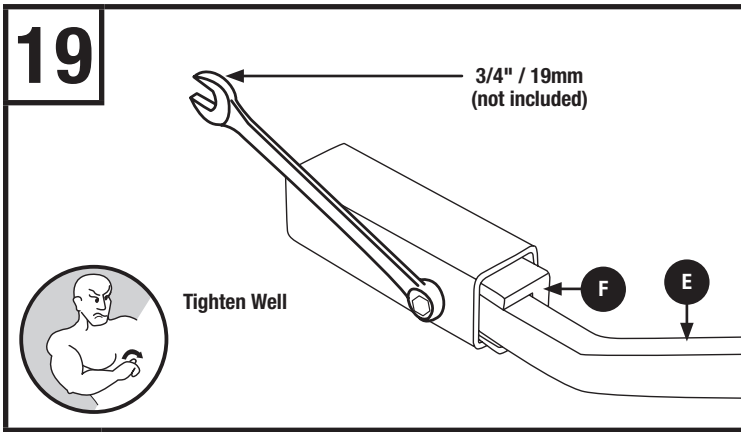
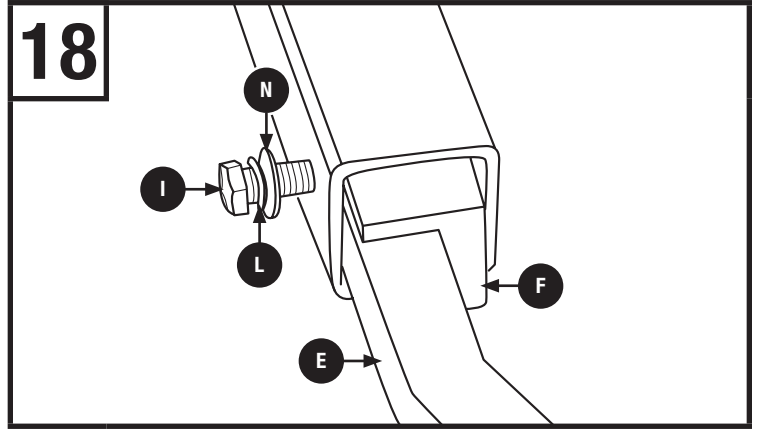
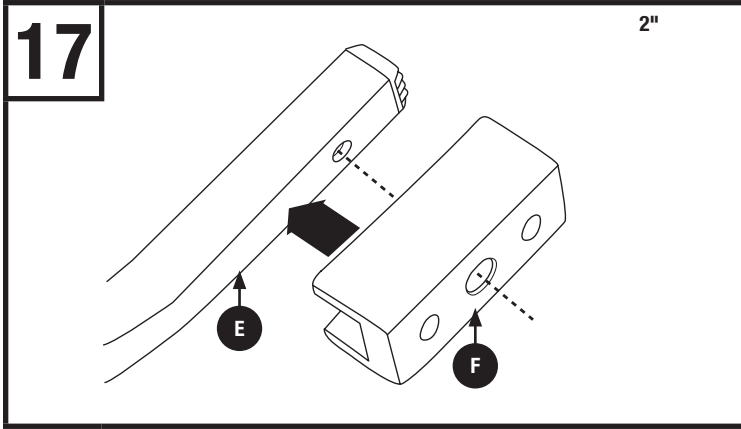
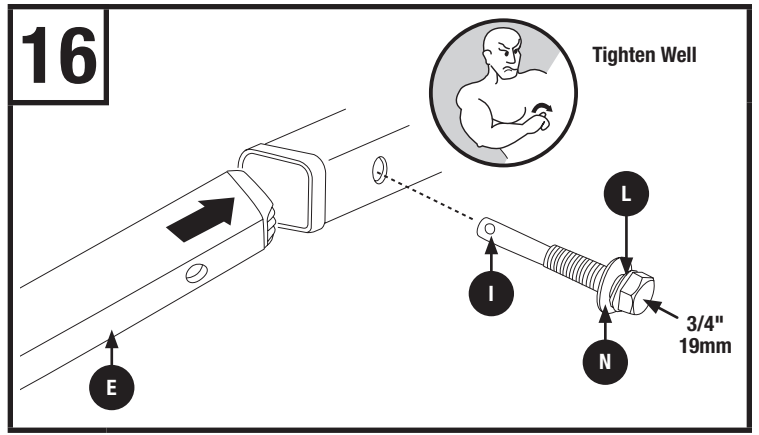
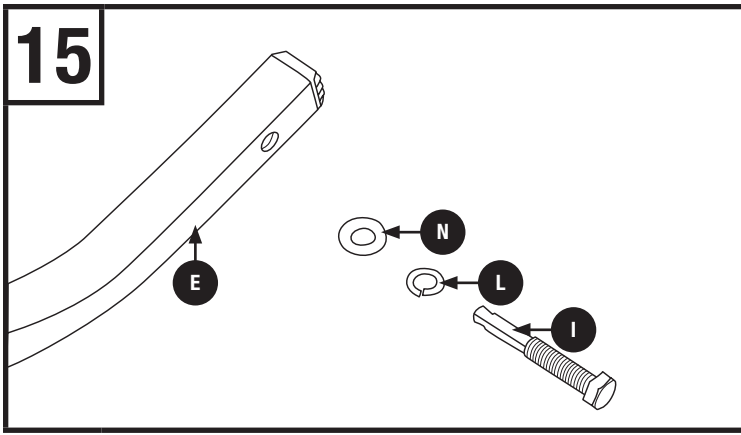


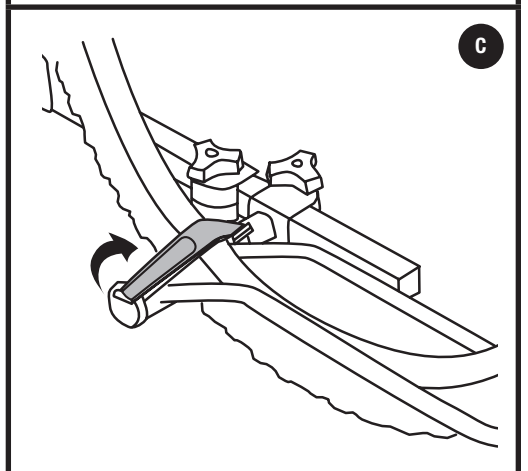
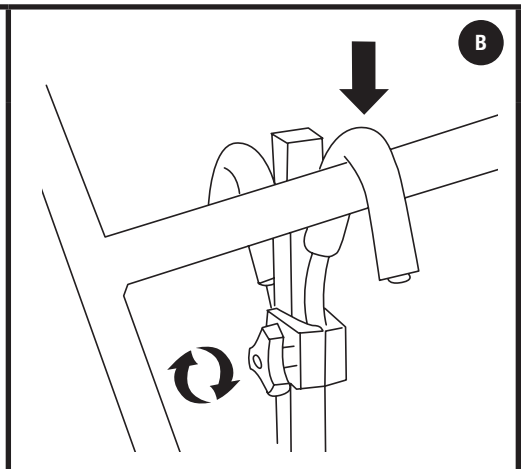
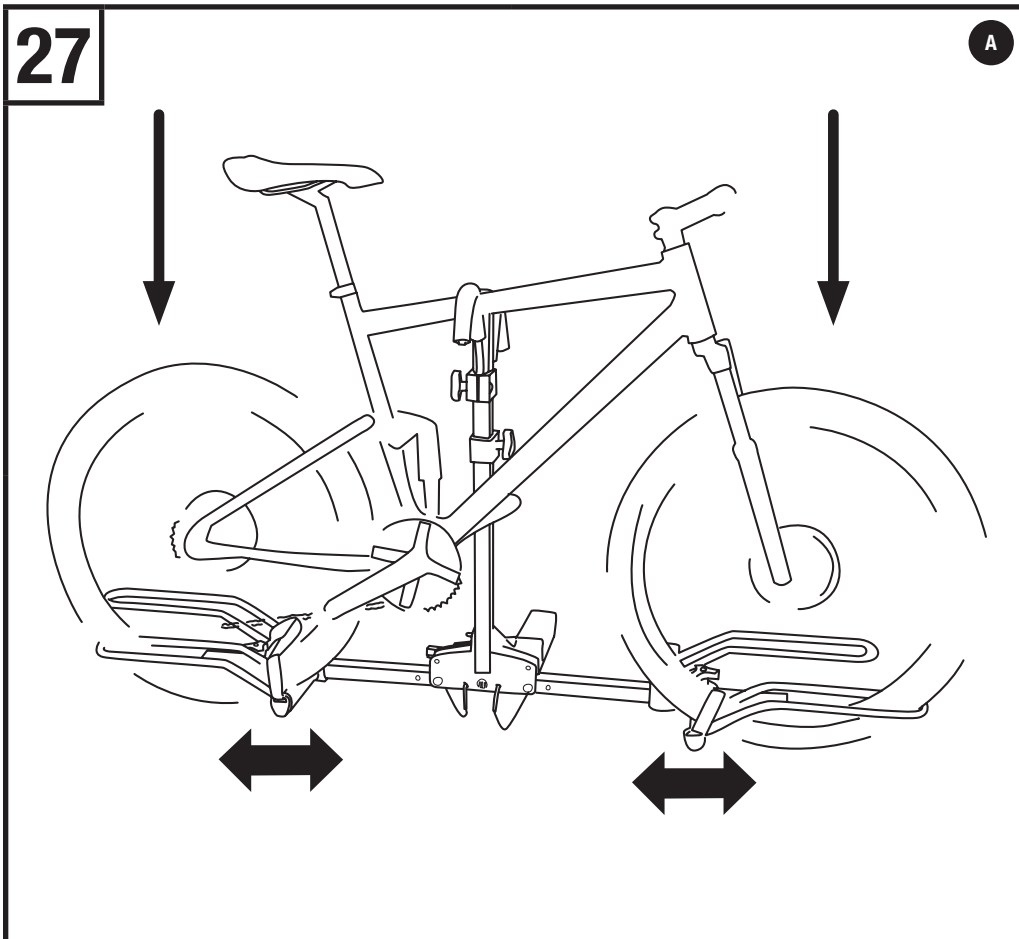
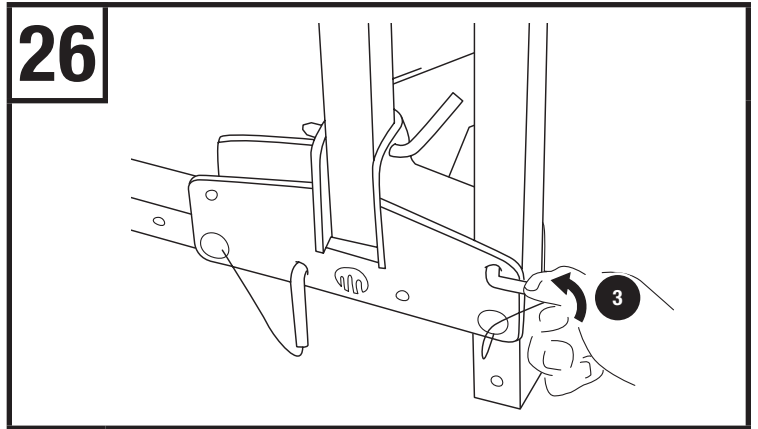
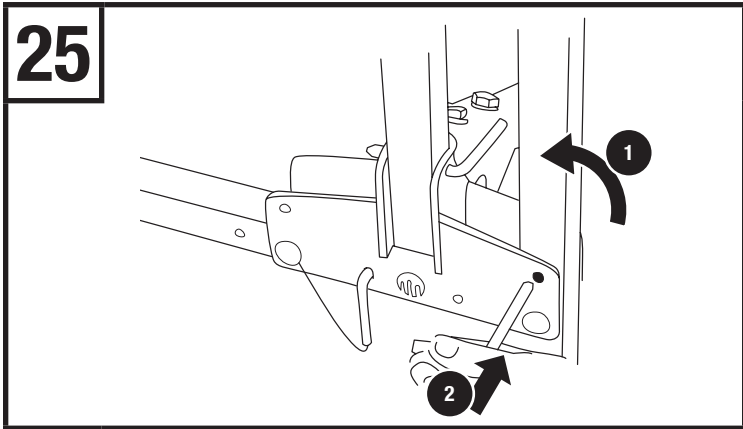
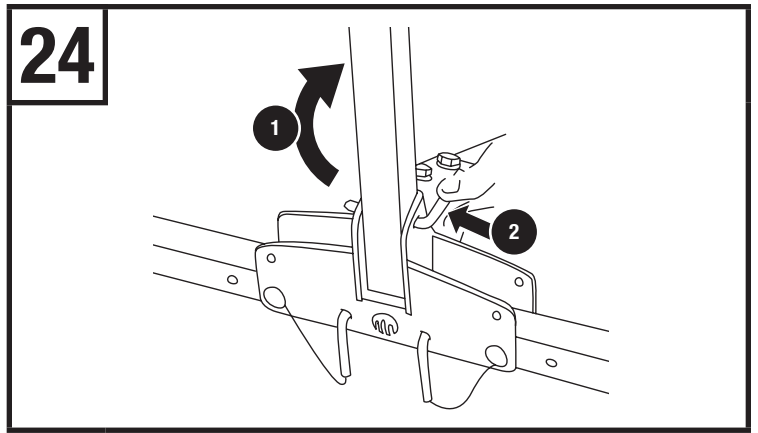
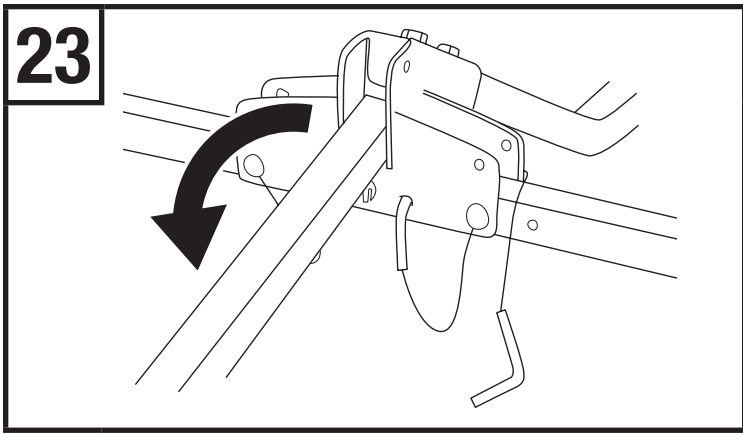
WARNINGS / LIMITATIONS

- 2 Bike maximum carrying capacity
= 90 lbs./40Kg
- Fits 20-29" wheels up to 3" wide.
- Can work with bikes with fenders.
- Check tightness off all bolts periodically.
- Check straps for wear and replace periodically.
- Not intended for off-road use.
- Not intended for tandems or recumbents.
- Do not install on trailer or towed vehicle.



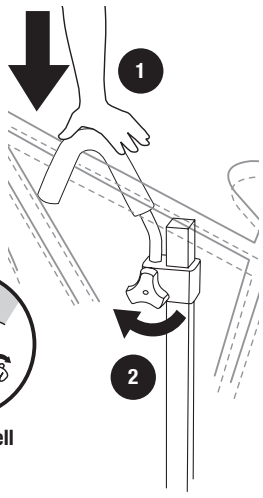






28

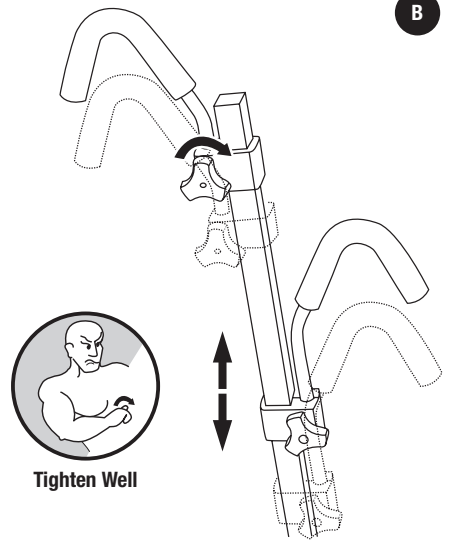
A



Tighten Well

MAKE SURE HOOKS ARE WELL SUPPORTED ON BICYCLES AND TIGHTEN BOTH HANDLES (IF THERE ARE 2 BICYCLES) UNTIL HOOKS ARE COMPLETELY MOTIONLESS. ENSURE THAT EACH TIRE IS WELL SUPPORTED BY BOTH ENDS OF HOOP.

B

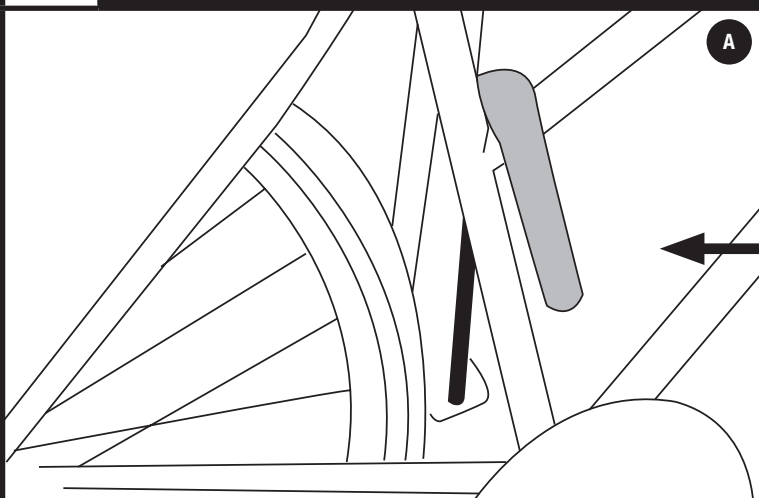


Tighten Well

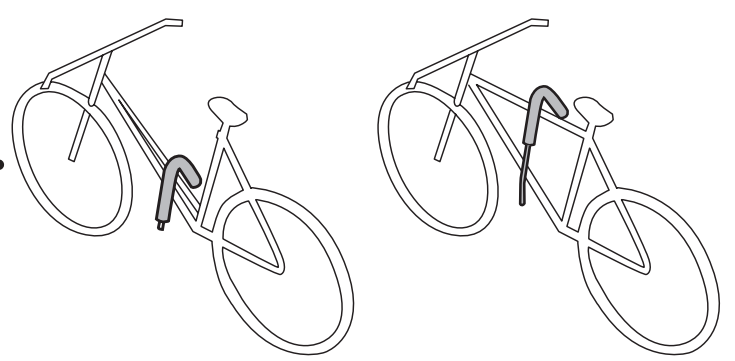
29

WOMEN'S BICYCLES

A



B



ALWAYS POSITION SMALLER BICYCLE BETWEEN THE BICYCLE SUPPORT AND THE CAR BUMPER USING THE LARGE HOOK.
 FOR BICYCLES WITH INCLINED FRAME (WOMENS' BICYCLES), POSITION HOOK IN THE CAVITY, I.E. BETWEEN THE VERTICAL TUBE AND THE INCLINED TUBE OF BICYCLE. (SEE ILLUSTRATION)

THE BUYER SHOULD BE AWARE THAT THE COMBINED WEIGHT OF THE BICYCLE CARRIER (26 lbs/11.8 kg) AND BICYCLES COULD EXCEED THE MAXIMUM WEIGHT ALLOWED FOR A TRAILER OR A FIFTH-WHEEL. NOT RESPECTING THE PERMISSIBLE MAXIMUM LOAD AUTOMATICALLY VOIDS WARRANTY

