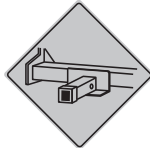


SR0901
91351
Optional
locking kit
available



Bicycle Installation



Receiver Installation



Tilting Instructions



Tighten Well

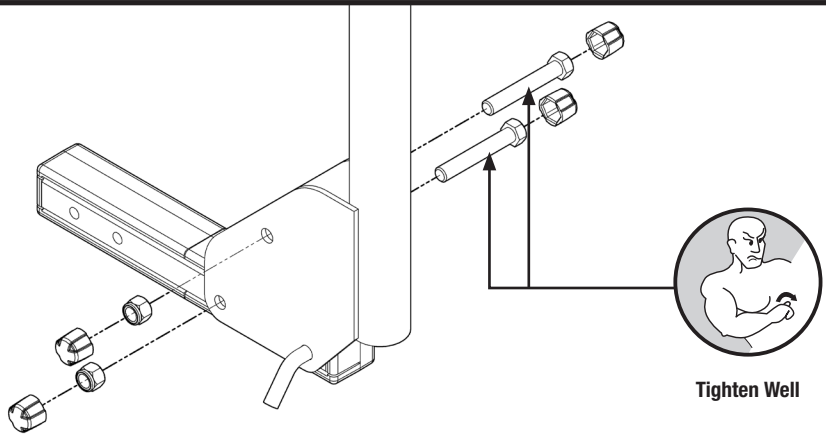
WARNINGS / LIMITATIONS

- Carrying capacity should not exceed designated carrying capacity for specific model.
- Check tightness off all bolts and knobs periodically.
- Not intended for off-road use.
- Not intended for tandems or recumbents.
- Do not exceed weight per class of receiver; class 1 = 2 bike, class 2 and up = 3 or 4 bikes (180lbs/80Kg max).
- Do not install on trailer or towed vehicle.
- Failure to use strap may result in loss of bicycles.

1

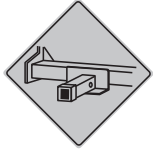


1/2" 13mm (not included)

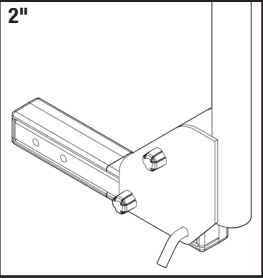


Tighten Well

2

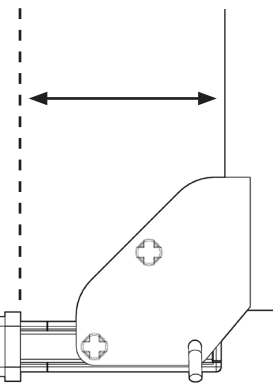


Receiver Installation

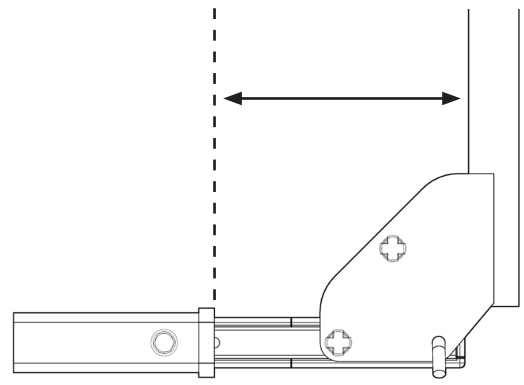


2"

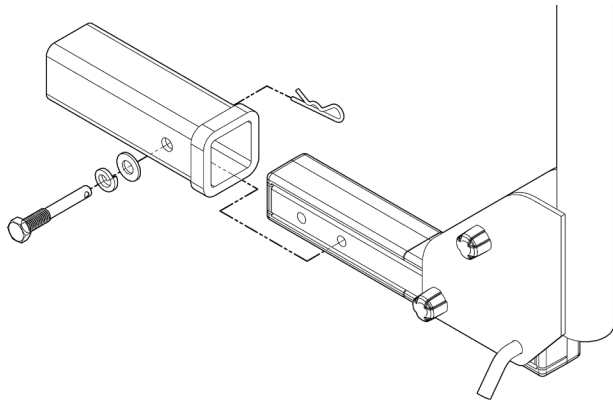
A



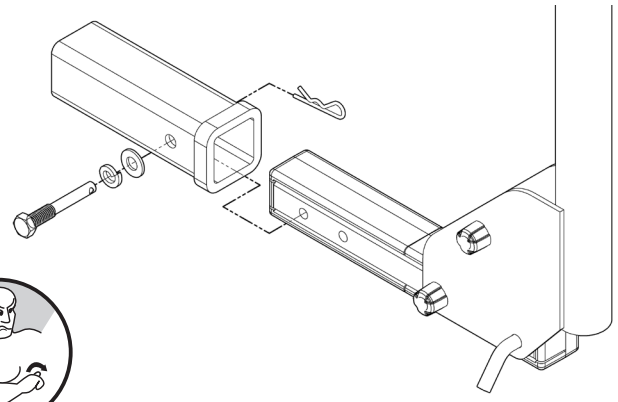
C



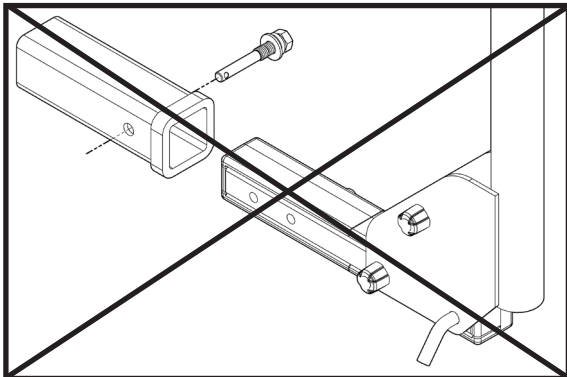
B



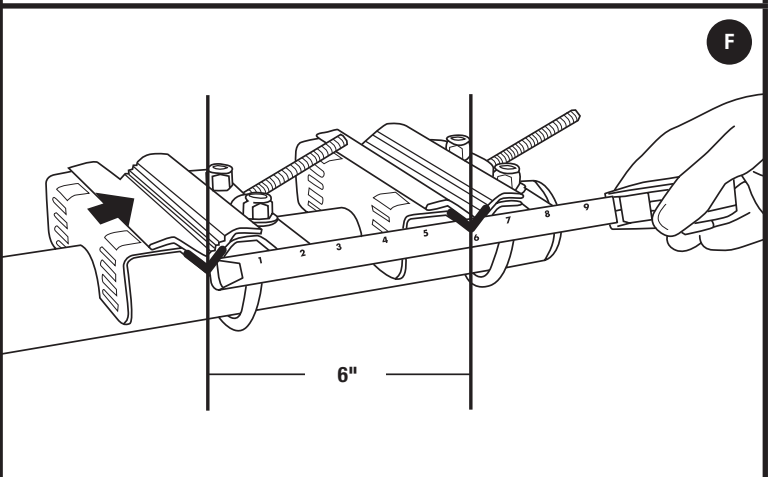
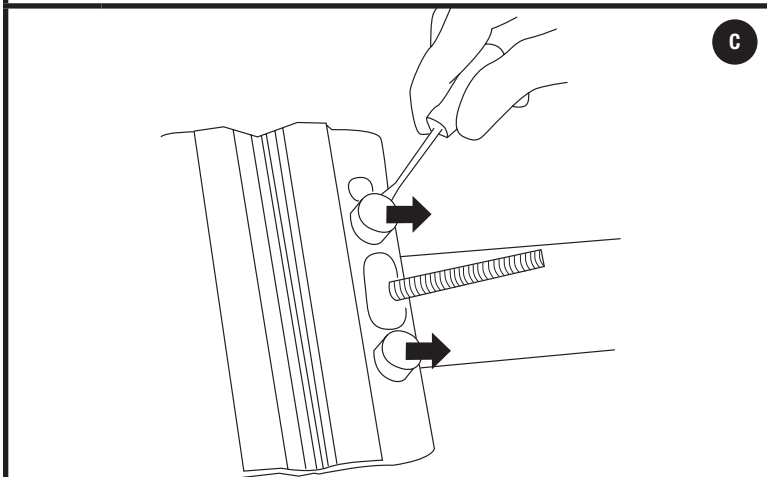
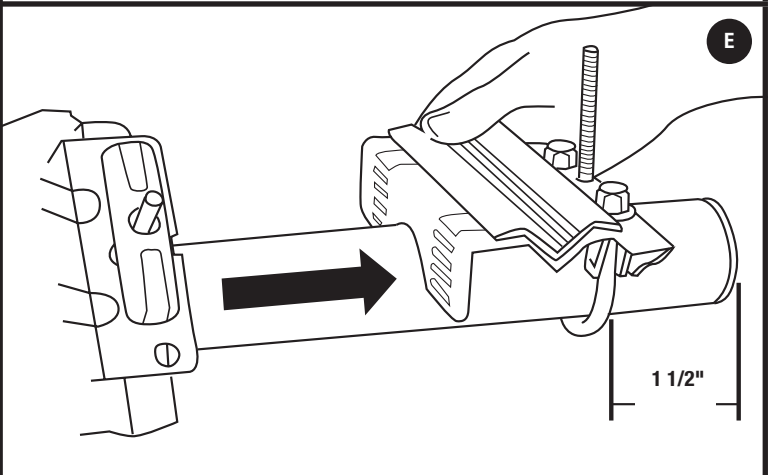
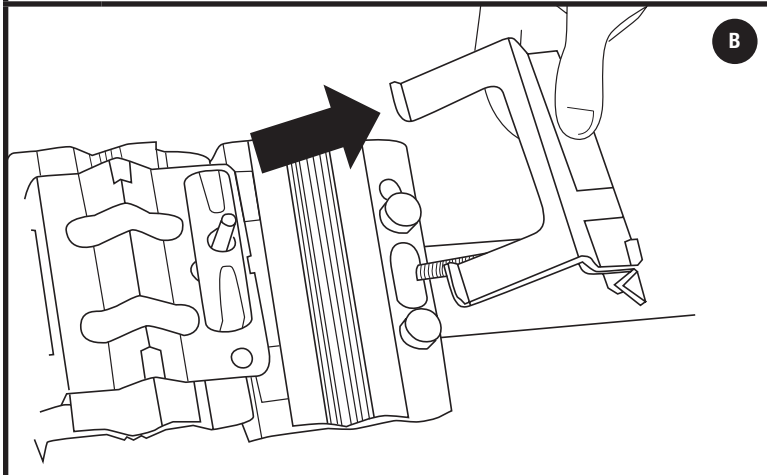
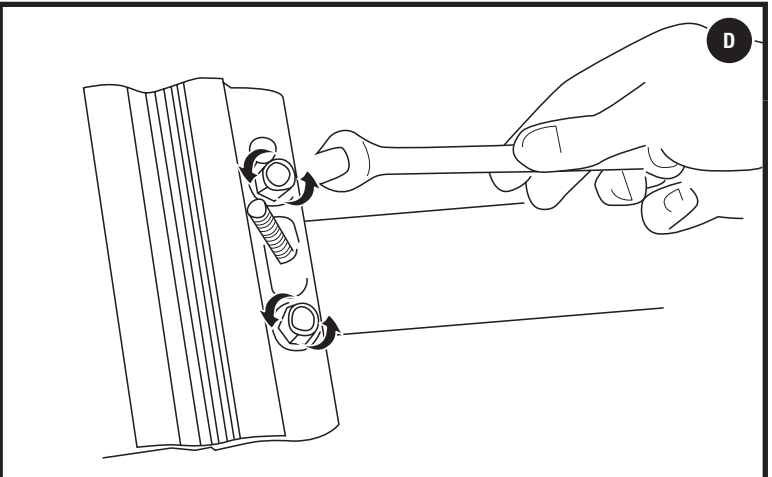
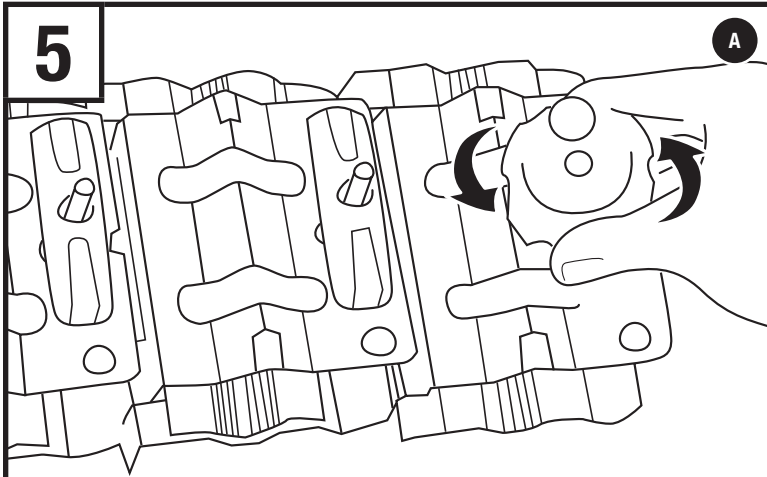
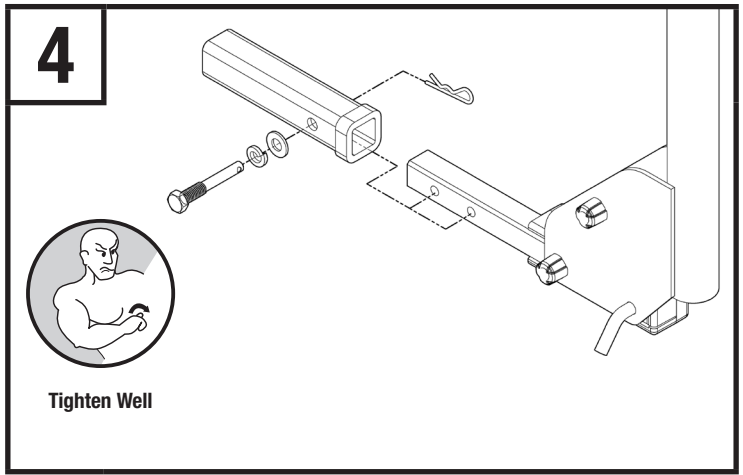
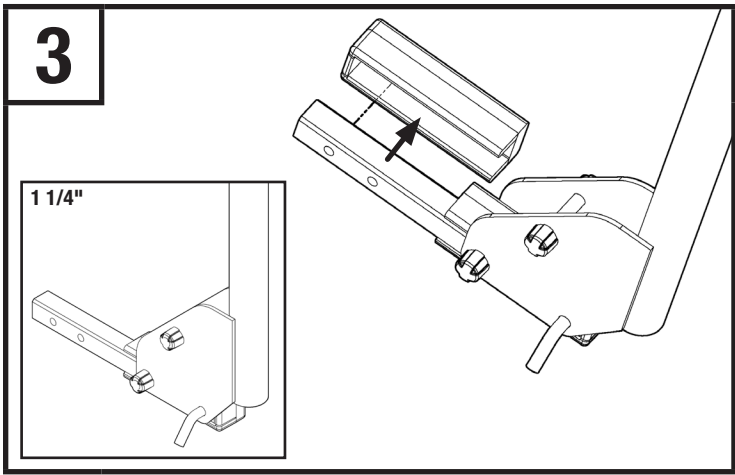
D



Tighten Well



- Slide either the SR2703 or SR2704 into trailer hitch receiver until hole in horizontal tube aligns with receiver hole. Secure in position with receiver bolt, as illustrated. Firmly tighten.

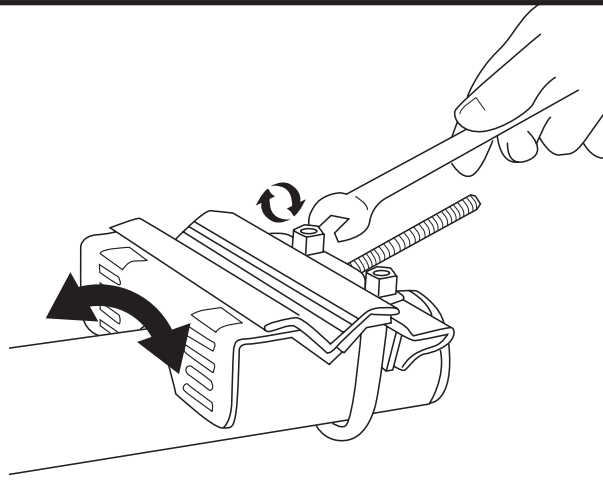


6

A

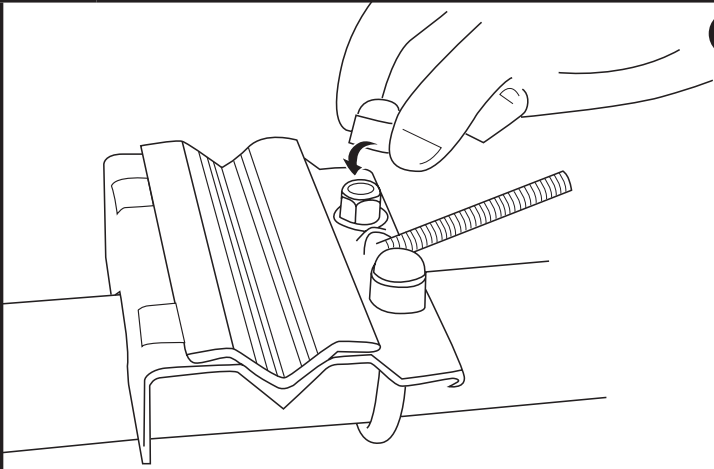


Tighten Well

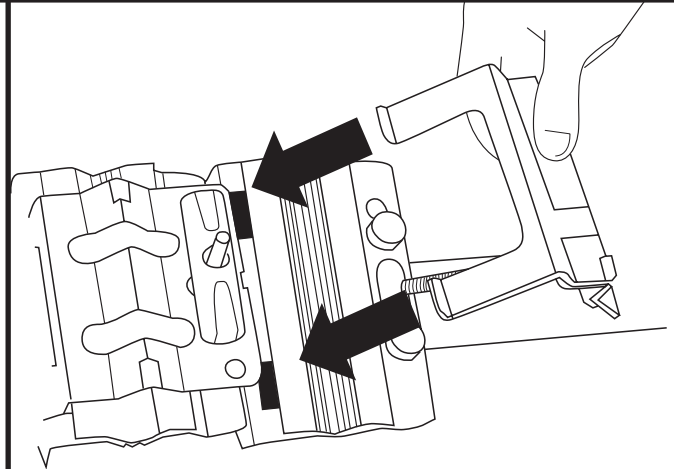


- Adjust cradle angle according to your bike frame.

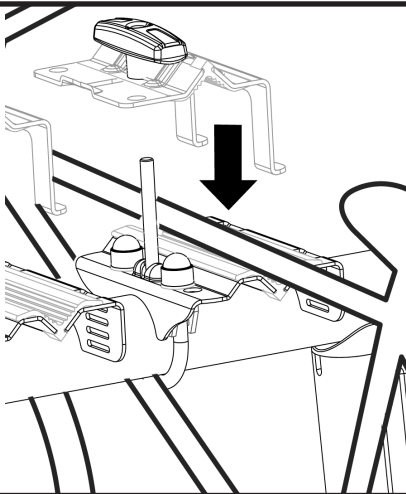
B



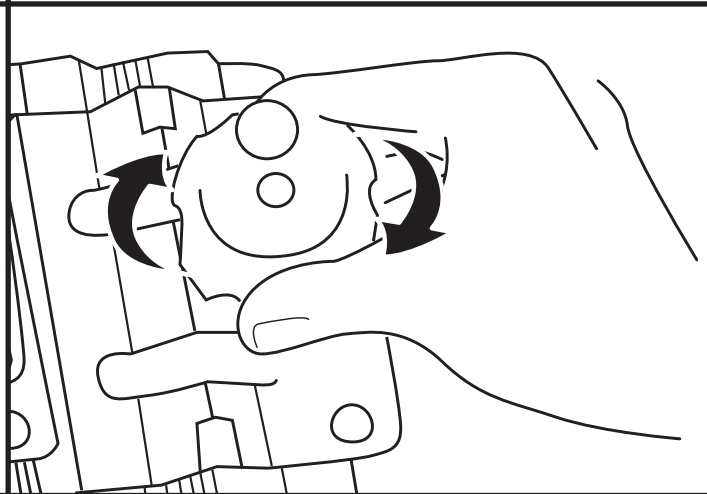
D



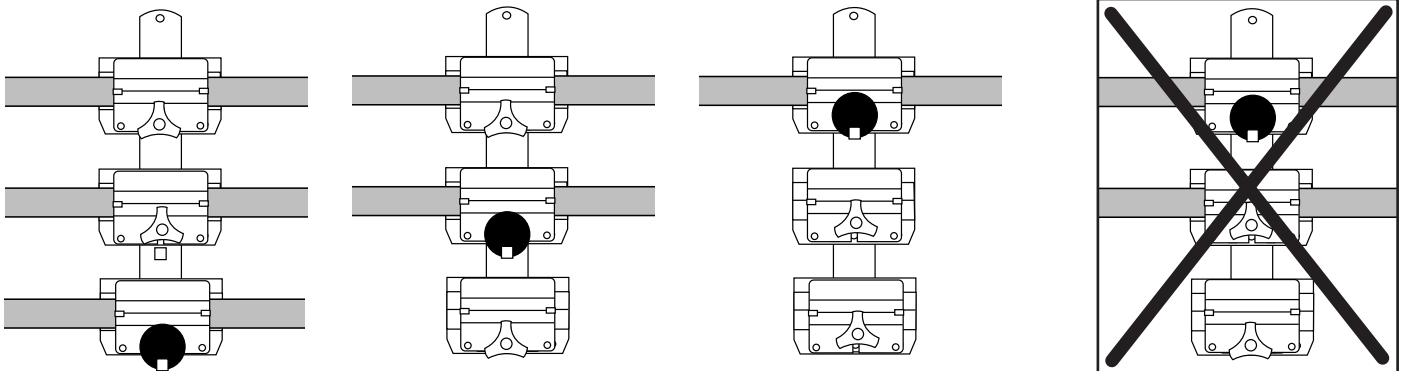
C



E

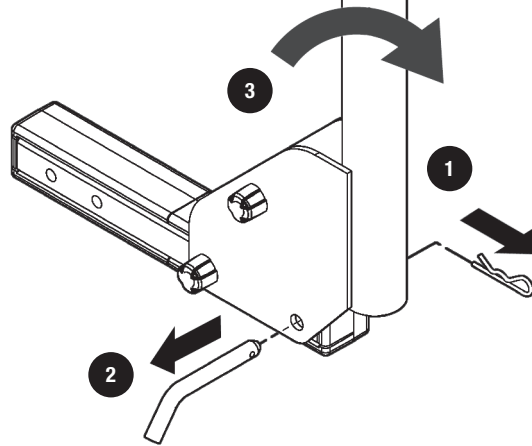


F

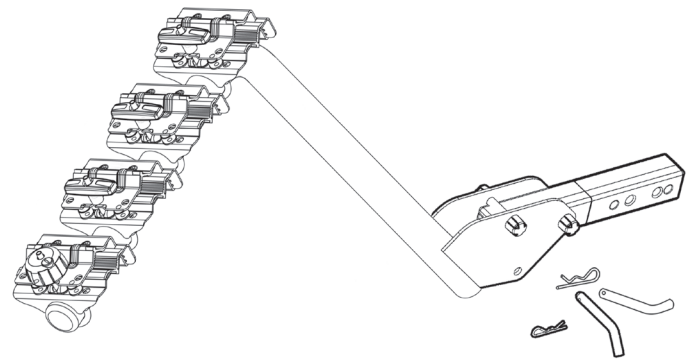
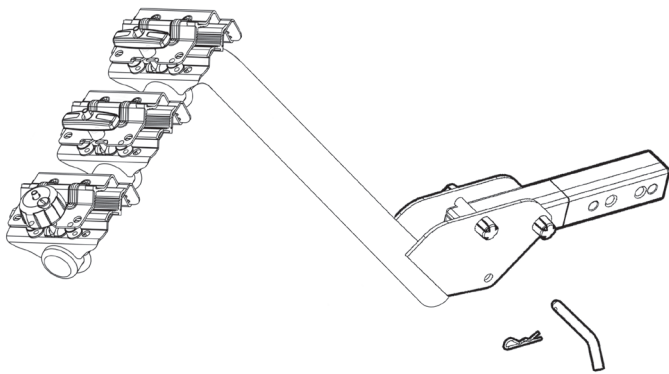


7

A



B



C

NOT CORRECT

