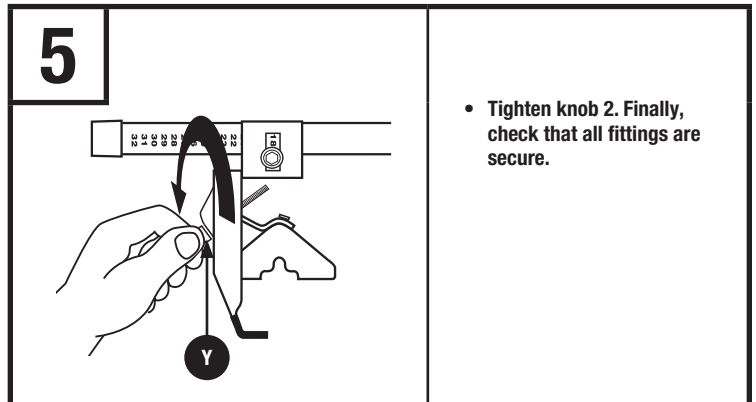
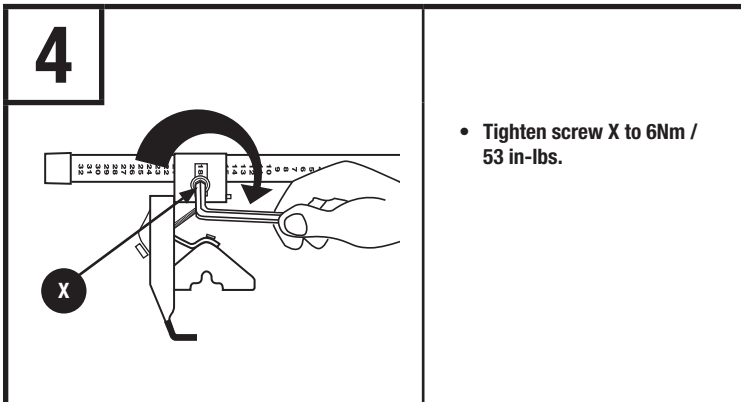
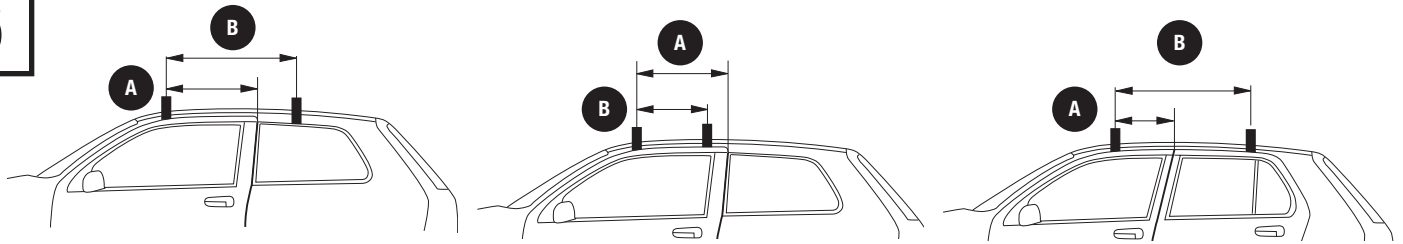


- Using the included fit chart, adjust foot positions to the numbers for your vehicle. Use "Front" dimensions for front bar and "Rear" for rear bar.

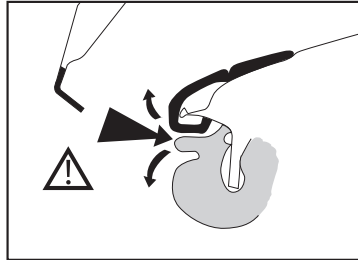
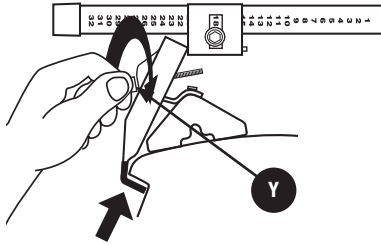


6



- Position the rack on your vehicle according to distance A and B indicated for your vehicle in the included fit chart.

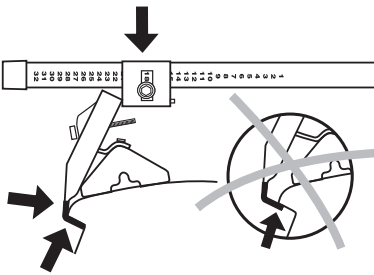
7



CHEVROLET Camaro  
PONTIAC Firebird 93-95

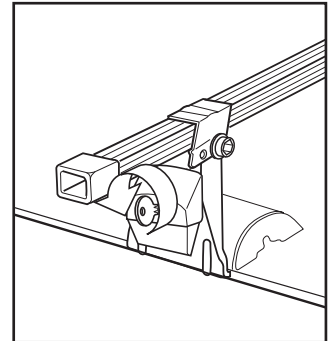
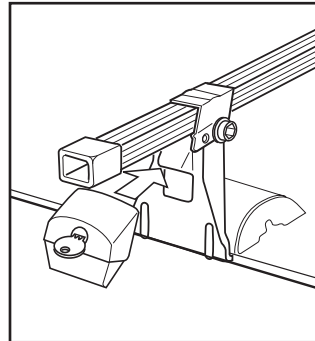
- Locate clamp plate and pad as shown. Tighten bolts Y alternately.

8



- Check all fittings are secure and correctly positioned.

9





2013 COMPLETE ROOF RACK SYSTEM - SR1002 - FIT GUIDE

Vehicle Make and Model	Year	3D Adapter A21116									 Fit Tips
			Front	Rear	A		B		Lbs	Kg	
					inch	mm	inch	mm			

ACURA											
CL 2DR	01-06	✓	23	18	17 3/4	451	19 3/4	502	90	41	4i, 9o
CL 2DR	97-00		9	7	22 1/2	572	19 3/4	502	130	59	1c
CL 2DR	97-00	✓	9	11	15 3/4	400	13 3/4	349	130	59	9o
CSX 4DR	06-11		21	20	10	254	25	635	90	41	
Legend 2DR	91-96		12	11	17 3/4	451	16 1/4	413	130	59	1c
Legend 2DR	91-96	✓	12	13	19	483	16 1/4	413	130	59	3u, 9o
Legend 4DR	91-96		15	15	7 3/4	197	23 1/2	597	130	59	
RL 4DR	96-00		19	19	13	330	27 1/2	699	90	41	
SLX 5DR	96-01		27	27	11 3/4	298	27 1/2	699	130	59	1i
TL 4DR	04-08		15	15	9 3/4	248	21 3/4	552	105	48	4i
TL 4DR	99-03		17	14	11 3/4	298	23 1/2	597	90	41	4i
TSX 4DR	04-08		18	18	9 3/4	248	21 3/4	552	105	48	4i
TSX 4DR	04-08				9 3/4	248	21 3/4	552	105	48	4i
AUDI											
80 4DR	92-95		9	9	11 3/4	298	27 1/2	699	130	59	9d
90 4DR	92-95		9	9	11 3/4	298	27 1/2	699	130	59	9d
100 4DR	92-95		15	14	11 1/2	292	27 1/2	699	130	59	
200 Wagon	88-92		13	9	9 3/4	248	27 1/2	699	130	59	1i
A4 4DR	02-05		16	12	15	381	26 3/4	679	130	59	4i
A4 4DR	95-01		9	9	11 3/4	298	27 1/2	699	105	48	9d
A6 4DR	95-97		15	14	11 1/2	292	27 1/2	699	130	59	10a
S4 4DR	92-95		15	14	11 1/2	292	27 1/2	699	130	59	
S4 4DR	95-01		9	9	11 3/4	298	27 1/2	699	105	48	9d
S6 4DR	95-97		15	14	11 1/2	292	27 1/2	699	130	59	
BMW											
3 Series 4DR	06-11		14	12	11 3/4	298	23 1/2	597	130	59	
3 Series 4DR	99-05		14	12	11 3/4	298	23 1/2	597	130	59	
3 Series 4DR	92-98		14	12	11 3/4	298	23 1/2	597	130	59	
5 Series 4DR	88-95		17	16	11 3/4	298	27 1/2	699	130	59	
5 Series Wagon	92-95		14	12	7 3/4	197	27 1/2	699	130	59	1i
7 Series 4DR	95-01		16	16	11 3/4	298	27 1/2	699	130	59	
7 Series 4DR	86-94		18	19	11 3/4	298	27 1/2	699	130	59	
BUICK											
Allure 4DR	05-08		20	13	9 3/4	248	21 3/4	552	130	59	4i
Century 4DR	97-05		12	10	9 3/4	248	25 1/2	648	130	59	3u
Century 4DR	82-96		22	21	9 3/4	248	27 1/2	699	130	59	
Century Wagon	84-96		22	21	9 3/4	248	27 1/2	699	130	59	1i
Electra 4DR	85-90		32	32	11 3/4	298	27 1/2	699	130	59	3x
Lacrosse 4DR	05-08		20	13	9 3/4	248	21 3/4	552	130	59	4i
Le Sabre 2DR	86-91		30	30	21 3/4	552	19 3/4	502	130	59	1b
Le Sabre 4DR	92-99		25	23	11 3/4	298	27 1/2	699	130	59	
Park Avenue 4DR	91-96		25	25	10 1/4	260	27 1/2	699	130	59	3x



2013 COMPLETE ROOF RACK SYSTEM - SR1002 - FIT GUIDE

Vehicle Make and Model	Year	3D Adapter A21116									 Fit Tips
			Front	Rear	A		B		Lbs	Kg	
					inch	mm	inch	mm			

**BUICK (continued - suite - consecuencia)**

Regal 4DR	97-02		12	10	9 3/4	248	25 1/2	648	130	59	3u
-----------	-------	--	----	----	-------	-----	--------	-----	-----	----	----

**CADILLAC**

Eldorado 2DR	92-03	✓	21	20	19 3/4	502	15 1/4	387	130	59	4i, 4i, 9o
--------------	-------	---	----	----	--------	-----	--------	-----	-----	----	------------

**CHEVROLET**

Aveo 4DR	04-11		14	12	11 3/4	298	27 1/2	699	90	41	4i
Aveo 5DR	04-11		14	12	11 3/4	298	27 1/2	699	90	41	4i
Blazer 5DR	91-94		16	16	1 1/4	32	17	432	130	59	1d
Camaro	93-02		20	19	17 1/4	438	15 1/4	387	130	59	1d, 3c
Camaro T-Top	93-02		20	19	17 1/4	438	15 1/4	387	130	59	1d, 3c
Impala 4DR	00-05		26	23	11 3/4	298	27 1/2	699	130	59	4i
IROC-Z	93-02		20	19	17 1/4	438	15 1/4	387	130	59	1d, 3c
Iroc-Z T-Top	93-02		20	19	17 1/4	438	15 1/4	387	130	59	1d, 3c
Malibu 4DR	08-12		18	16	8	203	28	711	105	48	
Malibu 4DR	04-07		19	18	11 3/4	298	27 1/2	699	130	59	4i, 9d
Malibu 4DR	97-03		11	10	11	279	27 1/2	699	130	59	3u
Malibu Maxx 5DR	04-07		19	18	11 3/4	298	27 1/2	699	130	59	4i, 9d
Monte Carlo 2DR	00-05		15	12	24 3/4	629	23 1/2	597	130	59	4i, 3x
Oprtra 4DR	04-06		11	9	9 3/4	248	19 3/4	502	130	59	4i
Oprtra 5 5DR	04-08		11	9	9 3/4	248	19 3/4	502	130	59	4i
Oprtra Wagon	04-08		10	7	4	102	25 1/2	648	130	59	4i
Tracker 3DR	89-98		10	10	15 3/4	400	27 1/2	699	130	59	
Z28	93-02		20	19	17 1/4	438	15 1/4	387	130	59	1d, 3c
Z28 T-Top	93-02		20	19	17 1/4	438	15 1/4	387	130	59	1d, 3c

**CHRYSLER**

300 4DR	05-10		25	25	17 3/4	451	25 1/2	648	130	59	4i
300C 4DR	05-07		25	25	17 3/4	451	25 1/2	648	130	59	4i
Concorde 4DR	93-97		17	16	11 3/4	298	26 1/2	673	130	59	
Intrepid 4DR	93-97		17	16	11 3/4	298	26 1/2	673	130	59	
LHS 4DR	94-97		19	17	11 3/4	298	27 1/2	699	130	59	
New Yorker 4DR	94-97		19	17	11 3/4	298	27 1/2	699	130	59	

**DAEWOO**

Lanos 3DR	98-02	✓	16	15	17	432	13 3/4	349	130	59	4i, 9o
Lanos 4DR	98-02		8	8	11 3/4	298	23 1/2	597	130	59	4i
Leganza 4DR	99-00		13	12	11 3/4	298	27 1/2	699	130	59	3x, 4i
Nubira 4DR	99-00		10	9	11 3/4	298	23 1/2	597	130	59	3x, 4i

**DODGE**

2000 GTX 4DR	89-93		13	10	11 3/4	298	27 1/2	699	130	59	4i
Charger	05-10		25	25	17 3/4	451	25 1/2	648	130	59	4i
Intrepid 4DR	93-97		17	16	11 3/4	298	26 1/2	673	130	59	
Magnum 4DR	05-07		25	25	17 3/4	451	25 1/2	648	130	59	4i

**EAGLE**

2000 GTX 4DR	89-93		13	10	11 3/4	298	27 1/2	699	130	59	4i
--------------	-------	--	----	----	--------	-----	--------	-----	-----	----	----



## 2013 COMPLETE ROOF RACK SYSTEM - SR1002 - FIT GUIDE

Vehicle Make and Model	Year	3D Adapter A21116									
			Front	Rear	A		B		Weight Limit		Fit Tips
					inch	mm	inch	mm	Lbs	Kg	

### EAGLE (continued - suite - consecuencia)

Talon 3DR	90-94		10	10	21 3/4	552	19	483	130	59	1b
Vision 4DR	93-97		17	16	11 3/4	298	26 1/2	673	130	59	

### FORD

Escort Wagon	97-99		12	12	11 3/4	298	27 1/2	699	130	59	3y, 4i
Escort Wagon	91-96		14	13	7 3/4	197	23 1/2	597	130	59	3u, 4i
Five Hundred 4DR	05-07		29	29	11 3/4	298	27 1/2	699	130	59	4i
Focus 3DR	00-07	✓	8	7	16 1/2	419	11 3/4	298	105	48	4i, 9o
Focus 4DR	08-11		10	8	9	229	19 3/4	502	105	48	
Focus 4DR	00-07		7	10	7 3/4	197	27 1/2	699	105	48	3c, 3h, 4i
Focus 5DR	00-07		7	10	7 3/4	197	27 1/2	699	105	48	3c, 3h, 4i
Taurus 4DR	96-99		14	15	11 3/4	298	23 1/2	597	130	59	
ZX3 3DR	00-07	✓	8	7	16 1/2	419	11 3/4	298	105	48	4i, 9o
ZX5 5DR	00-07		7	10	7 3/4	197	27 1/2	699	105	48	3c, 3h, 4i

### GEO

Tracker 3DR	89-97		10	10	15 3/4	400	27 1/2	699	130	59	
-------------	-------	--	----	----	--------	-----	--------	-----	-----	----	--

### GMC

Jimmy 5DR	91-94		16	16	1 1/4	32	17	432	130	59	1d
Tracker 3DR	89-98		10	10	15 3/4	400	27 1/2	699	130	59	

### HONDA

Accord 2DR	03-07	✓	19	18	4	102	11 3/4	298	130	59	4i
Accord 2DR	98-02	✓	17	17	19	483	15 3/4	400	105	48	3u, 4i, 9o
Accord 2DR	94-98		11	8	22 3/4	578	20 1/2	521	130	59	1c
Accord 2DR	94-98	✓	18	20	17 3/4	451	16 1/4	413	130	59	9o
Accord 2DR	90-93		11	9	19 3/4	502	17 3/4	451	130	59	1c
Accord 2DR	90-93	✓	10	8	19	483	17	432	130	59	9o
Accord 4DR	03-07		17	17	11 3/4	298	27 1/2	699	105	48	4i, 3y
Accord 4DR	98-02		16	14	11 3/4	298	27 1/2	699	105	48	1a 4i
Accord 4DR	94-97		10	8	11 1/2	292	25 1/2	648	105	48	
Accord 4DR	90-93		10	9	9	229	25 1/2	648	130	59	
Accord Wagon	94-97		9	8	12 1/2	318	21 1/4	540	130	59	1b, 1i, 3u, 4i
Accord Wagon	91-93		11	9	10 3/4	273	27 1/2	699	130	59	1i
Civic 4DR	12-13		21	20	10	254	25	635	90	41	
Civic 4DR	06-11		21	20	10	254	25	635	90	41	
Civic 4DR	92-95		4	5	7 3/4	197	21 3/4	552	130	59	1b
Crosstour	10-13		20	19	7	178	25	635	90	41	
Fit 5DR	09-13		21	15	10 3/4	273	24	610	90	41	
Fit 5DR	07-08		20	15	10	254	24	610	105	48	
Fit Sport 5DR	09-13		21	15	10 3/4	273	24	610	90	41	
Fit Sport 5DR	07-08		20	15	10	254	24	610	105	48	
Insight 5DR	10-13		20	20	11	279	27	686	90	41	

### HYUNDAI

Accent 4DR	06-11		18	16	10	254	24	610	105	48	4i
------------	-------	--	----	----	----	-----	----	-----	-----	----	----



2013 COMPLETE ROOF RACK SYSTEM - SR1002 - FIT GUIDE

Vehicle Make and Model	Year	3D Adapter A21116									
			Front	Rear	A		B		Weight Limit		Fit Tips
					inch	mm	inch	mm	Lbs	Kg	

**HYUNDAI (continued - suite - consecuencia)**

Elantra 4DR	07-10		18	17	9	229	24	610	105	48	
Elantra 4DR	01-06	✓	19	19	6 3/4	171	15	381	90	41	4i, 9o
Elantra Touring Wagon	09-12		18	15	9	229	28	711	105	48	
Sonata 4DR	11-13		22	20	12	305	26	660	105	48	
Sonata 4DR	06-10		19	18	8	203	25	635	105	48	3b, 5f

**INFINITI**

Q45 4DR	94-96		26	25	11 3/4	298	27 1/2	699	130	59	
Q45 4DR	91-93		26	25	11 3/4	298	27 1/2	699	130	59	

**ISUZU**

Trooper	92-02		27	27	11 3/4	298	27 1/2	699	130	59	1i
---------	-------	--	----	----	--------	-----	--------	-----	-----	----	----

**KIA**

Rio 4DR	01-05	✓	18	16	9 3/4	248	15 3/4	400	130	59	3x, 9o
Sephia 4DR	00-01		11	8	11 3/4	298	23 1/2	597	130	59	3x, 4i
Sephia 4DR	94-97		10	11	10 3/4	273	25 1/2	648	105	48	
Spectra 4DR	02-05		11	9	11 3/4	298	23 1/2	597	130	59	
Spectra 5DR	02-03		11	9	11 3/4	298	23 1/2	597	130	59	

**LEXUS**

IS300 2DR	01-03		17	17	9 3/4	248	23 1/2	597	130	59	4i
-----------	-------	--	----	----	-------	-----	--------	-----	-----	----	----

**MAZDA**

323 3DR	95-97		12	10	19	483	17 1/4	438	130	59	1d
323 3DR	90-95		11	7	15 3/4	400	27 1/2	699	130	59	
626 4DR	93-97		16	14	10 3/4	273	23 1/2	597	130	59	
626 4DR	88-92		14	13	11	279	27 1/2	699	130	59	
626 5DR	88-92		14	13	11	279	27 1/2	699	130	59	
626 Cronos 4DR	93-97		16	14	10 3/4	273	23 1/2	597	130	59	
Millenia 4DR	95-02		10	8	9 3/4	248	21 3/4	552	90	41	1b
Protégé 4DR	99-03		18	17	11 3/4	298	25 1/2	648	130	59	
Protégé 4DR	95-98		16	14	11 3/4	298	25 1/2	648	130	59	
Protégés 5DR	02-03		19	17	11 3/4	298	27 1/2	699	90	41	4i

**MERCEDES-BENZ**

C Class 4DR	01-03	✓	26	28	7	178	13 1/2	343	130	59	4i, 9o
C Class 4DR	94-00		18	18	12 1/4	311	24 1/2	622	130	59	
E Class 4DR	96-02		24	17	11 3/4	298	27 1/2	699	130	59	
E Class 4DR	85-95		24	17	13	330	27 1/2	699	130	59	
E Class Wagon	94-96		24	17	13	330	27 1/2	699	130	59	1i
S Class 4DR	92-98		29	28	11 3/4	298	27 1/2	699	130	59	

**MERCURY**

Sable 4DR	00-05		14	15	11 3/4	298	23 1/2	597	130	59	
Sable 4DR	96-99		14	15	11 3/4	298	23 1/2	597	130	59	
Tracer Wagon	97-99		12	12	11 3/4	298	27 1/2	699	130	59	3y, 4i, 10a
Tracer Wagon	91-96		14	13	7 3/4	197	23 1/2	597	130	59	3u, 4i, 10a



2013 COMPLETE ROOF RACK SYSTEM - SR1002 - FIT GUIDE

Vehicle Make and Model	Year	3D Adapter A21116									 Fit Tips
			Front	Rear	A		B		Lbs	Kg	
			inch	mm	inch	mm					

MITSUBISHI											
Eclipse	90-94		10	10	21 3/4	552	19	483	125	57	1b
Galant 4DR	02-03	✓	25	23	9	229	27 1/2	699	105	48	
Galant 4DR	98-99		25	23	11 3/4	298	25 1/2	648	105	48	4i
Galant 4DR	94-97		12	12	11 3/4	298	27 1/2	699	105	48	4i
Galant 4DR	88-93		13	10	11 3/4	298	27 1/2	699	130	59	4i
Lancer 4DR	03-07		23	13	11 3/4	298	27 1/2	699	105	48	3y, 4i
Lancer 4DR	02-03		23	13	11 3/4	298	27 1/2	699	130	59	
Mirage 2DR	97-99	✓	20	18	17 3/4	451	13 3/4	349	130	59	4i
Mirage 4DR	97-99		19	18	11 3/4	298	25 1/2	648	130	59	4i
NISSAN											
Maxima 4DR	09-12		18	16	10	254	26	660	105	48	
Sentra 4DR	07-12		22	22	11	279	27	686	105	48	4i
Versa 4DR	07-11		21	21	11	279	28	711	80	36	
Versa 5DR	07-12		21	21	11	279	28	711	80	36	
OLDSMOBILE											
88 4DR	92-99		25	23	11 3/4	298	27 1/2	699	130	59	
98 4DR	91-96		25	25	10 1/4	260	27 1/2	699	130	59	3x
Cutlass Ciera 4DR	82-96		22	21	9 3/4	248	27 1/2	699	130	59	
Cutlass Cruiser Wagon	84-96		22	21	9 3/4	248	27 1/2	699	130	59	1i
Intrigue 4DR	98-01		13	10	11 3/4	298	27 1/2	699	130	59	4i, 4j
PONTIAC											
Bonneville 4DR	92-99		25	23	11 3/4	298	27 1/2	699	130	59	
Firebird	93-02		20	19	17 1/4	438	15 1/4	387	130	59	1d, 3c
Firebird T-Top	93-02		20	19	17 1/4	438	15 1/4	387	130	59	1d, 3c
Grand Prix 4DR	97-08		16	15	11 3/4	298	25 1/2	648	130	59	3u, 41
Sunrunner 3DR	94-98		10	10	15 3/4	400	27 1/2	699	130	59	
Trans-Am	93-02		20	19	17 1/4	438	15 1/4	387	130	59	1d, 3c
Trans-Am T-Top	93-02		20	19	17 1/4	438	15 1/4	387	130	59	1d, 3c
Wave 5DR	05-07		14	12	11 3/4	298	27 1/2	699	130	59	
SATURN											
Aura	08-10		18	16	8	203	28	711	105	48	
SUZUKI											
Aerio 4DR	02-06		17	17	11 3/4	298	27 1/2	699	130	59	4i
Sidekick 3DR	89-98		10	10	15 3/4	400	27 1/2	699	130	59	
TOYOTA											
Camry 4DR	12-13		20	20	11	279	25 1/2	648	90	41	
Camry 4DR	07-11		21	21	11	279	25 1/2	648	90	41	
Corolla 4DR	09-13		19	17	9	229	23 1/2	597	105	48	
Corolla 4DR	03-08		15	18	8 3/4	222	23 1/2	597	105	48	4i
Prius 5DR	10-13		22	21	11	279	28	711	105	48	
Prius 5DR	04-09		22	21	11	279	28	711	105	48	
Rav 4 3DR	95-00		14	13	19 1/4	489	16 1/2	419	130	59	1c



2013 COMPLETE ROOF RACK SYSTEM - SR1002 - FIT GUIDE

Vehicle Make and Model	Year	3D Adapter A21116											 Fit Tips
			Front	Rear	A		B		Lbs	Kg			
			inch	mm	inch	mm							

**TOYOTA** (continued - suite - consecuencia)

Rav 4 3DR	95-00	✓	15	13	19 1/4	489	16 1/2	419	130	59	90
Rav 4 5DR	01-05		21	20	7 3/4	197	27 1/2	699	130	59	4i
Rav 4 5DR	95-00		14	14	4	102	23 1/2	597	130	59	
Yaris 4DR	07-12		12	8	15	381	30	762	130	59	
Yaris 5DR	06-13		12	8	15	381	30	762	130	59	

**VOLKSWAGEN**

Passat 4DR	90-97		12	8	11 3/4	298	27 1/2	699	105	48	
Passat Wagon	90-97		12	8	11 3/4	298	27 1/2	699	130	59	1i

**VOLVO**

S80 4DR	99-03		32	28	11 3/4	298	25 1/2	648	130	59	
---------	-------	--	----	----	--------	-----	--------	-----	-----	----	--





## 2013 COMPLETE ROOF RACK SYSTEM - SR1003 - FIT GUIDE

Vehicle Make and Model	Year	3D Adapter <b>A21116</b>									 Fit Tips
			Front	Rear	A		B		Lbs	Kg	
					inch	mm	inch	mm			

<b>ACURA</b>											
Integra 3DR	94-01	✓	16	19	14 1/2	368	10 3/4	273	130	59	1b, 3u, 9o
<b>AMC</b>											
SE 3DR	87-93		20	19	18 1/2	470	15 3/4	400	130	59	1c, 3u, 4i
SE 3DR	87-93	✓	19	19	17 1/4	438	15 1/4	387	130	59	3u, 9o
SE 4DR	87-93		17	17	20	508	17 1/4	438	130	59	1d
SE 5DR	87-93		17	17	20	508	17 1/4	438	130	59	1d
<b>BUICK</b>											
Riviera 2DR	95-99		14	11	21 3/4	552	21 3/4	552	130	59	1d, 3b
<b>CHEVROLET</b>											
Blazer 3DR	82-94		25	25	18	457	15 3/4	400	130	59	1d
Metro 3DR	98-00		15	14	15 3/4	400	13 3/4	349	130	59	1c
Metro 3DR	98-00	✓	14	14	16 1/4	413	15 1/4	387	130	59	3u, 9o
Metro 4DR	98-00		14	12	9 3/4	248	23 1/2	597	130	59	
Nova	85-88		30	30	11 3/4	298	27 1/2	699	130	59	
S-10 King Cab	82-93	✓	27	27	16 1/4	413	14 1/4	362	130	59	3h, 9o
Sprint 3DR	84-88		18	17	21 3/4	552	19 3/4	502	130	59	1c
Sprint 3DR	84-88	✓	20	20	18	457	15 3/4	400	130	59	9o
Sprint 5DR	84-88		19	19	8 3/4	222	27 1/2	699	90	41	3u
<b>DODGE</b>											
Colt 2DR	93-96		20	19	17 3/4	451	15 3/4	400	105	48	1c
Colt 2DR	93-96	✓	22	21	15 3/4	400	14 1/4	362	130	59	9o
Colt 4DR	93-96		20	19	17 3/4	451	15 3/4	400	130	59	1d
Dakota	87-96		28	28	17 3/4	451	15 3/4	400	130	59	1d
<b>EAGLE</b>											
Summit 2DR	93-96		20	19	17 3/4	451	15 3/4	400	130	59	1c
Summit 2DR	93-96	✓	22	21	15 3/4	400	14 1/4	362	130	59	9o
Summit 4DR	93-96		20	19	17 3/4	451	15 3/4	400	130	59	1d
<b>FORD</b>											
Aspire 3DR	94-97		19	18	16 1/2	419	19 3/4	502	90	41	1c
Aspire 3DR	94-97	✓	21	23	13 3/4	349	12 1/2	318	90	41	4i, 9o
Aspire 5DR	94-97		19	19	9 3/4	248	24 1/2	622	90	41	
Escort 3DR	91-96		24	23	17 3/4	451	27 1/2	699	130	59	
Escort 4DR	97-99		24	24	11 3/4	298	25 1/2	648	130	59	3y, 4i
Escort 4DR	91-96		20	20	9 3/4	248	27 1/2	699	130	59	
Escort 5DR	91-96		20	20	9 3/4	248	27 1/2	699	130	59	
Festiva 3DR	88-93		17	16	20 3/4	527	19	483	130	59	1c
Festiva 3DR	88-93	✓	20	18	20	508	17 1/4	438	130	59	3u, 9o
Mustang 2DR	79-93		29	29	21 3/4	552	19 3/4	502	130	59	1c
Mustang 2DR	79-93	✓	29	29	17 3/4	451	15 3/4	400	130	59	9o
Mustang 3DR	79-93		29	29	21 3/4	552	19 3/4	502	130	59	1c
Mustang 3DR	79-93	✓	29	29	17 3/4	451	15 3/4	400	130	59	9o

Vehicle Make and Model	Year	3D Adapter <b>A21116</b>								
			Front	Rear	A		B		Weight Limit	
			inch	mm	inch	mm	Lbs	Kg	Fit Tips	

<b>GEO</b>											
Metro 3DR	95-00		15	14	15 3/4	400	13 3/4	349	130	59	1c
Metro 3DR	95-00	✓	14	14	16 1/4	413	15 1/4	387	130	59	3u, 9o
Metro 4DR	95-00		14	12	9 3/4	248	23 1/2	597	130	59	
<b>GMC</b>											
Jimmy 3DR	82-94		25	25	18	457	15 3/4	400	130	59	1d
S-15 King Cab	82-93	✓	27	27	16 1/4	413	14 1/4	362	105	48	3h, 9o
Sonoma King Cab	82-93	✓	27	27	16 1/4	413	14 1/4	362	130	59	3h, 9o
<b>HONDA</b>											
Civic 2DR	96-00	✓	20	19	17 3/4	451	15 1/4	387	90	41	9o
Civic 2DR	92-95		17	16	19	483	17	432	130	59	1c, 3u, 4i
Civic 2DR	92-95	✓	17	17	16 1/2	419	15	381	130	59	3u, 4i, 9o
Civic 3DR	96-00		19	20	18 1/2	470	16 1/4	413	130	59	1c
Civic 3DR	96-00	✓	20	20	17 3/4	451	15 1/4	387	130	59	3u, 9o
Civic 3DR	92-95		17	16	19	483	17	432	130	59	1c, 3x, 4i
Civic 3DR	92-95	✓	17	18	15 3/4	400	13	330	130	59	9o
CRV	97-01		31	29	9 3/4	248	27 1/2	699	130	59	1i
Odyssey	95-98		32	32	5	127	27 1/2	699	130	59	1i
<b>HYUNDAI</b>											
Accent 3DR	00-06	✓	24	24	19 3/4	502	13 3/4	349	90	41	9o
Accent 3DR	95-99	✓	18	10	15	381	13 1/2	343	90	41	3u, 9o
Accent 4DR	00-05		24	24	11 3/4	298	25 1/2	648	105	48	4i
Accent 4DR	95-99		15	13	9 3/4	248	23 1/2	597	105	48	
Sonata 4DR	94-98		31	29	11 1/2	292	24 3/4	629	105	48	
<b>INFINITI</b>											
J30 4DR	92-97		22	22	11 3/4	298	23 1/2	597	130	59	1d, 3c, 9b
QX4	97-03		19	17	13 3/4	349	29 1/2	749	130	59	1i, 3c
<b>ISUZU</b>											
Oasis 5DR	96-98		32	32	5	127	27 1/2	699	90	41	1i
<b>MAZDA</b>											
323 3DR	86-89		15	15	9 3/4	248	27 1/2	699	130	59	
323 5DR	86-89		15	14	9 3/4	248	25 1/2	648	130	59	
GLC 3DR	86-89		15	15	9 3/4	248	27 1/2	699	130	59	
MX-3 Precidia 3DR	92-96		21	17	19 3/4	502	17 3/4	451	90	41	1b
<b>MERCURY</b>											
Tracer 3DR	91-96		24	23	17 3/4	451	27 1/2	699	130	59	
Tracer 3DR	86-89		15	15	9 3/4	248	27 1/2	699	130	59	
Tracer 4DR	97-99		24	24	11 3/4	298	25 1/2	648	130	59	3y, 4i
Tracer 4DR	91-96		20	20	9 3/4	248	27 1/2	699	130	59	
Tracer 4DR	86-89		15	14	9 3/4	248	25 1/2	648	130	59	
Tracer 5DR	91-96		20	20	9 3/4	248	27 1/2	699	130	59	
Tracer 5DR	86-89		15	14	9 3/4	248	25 1/2	648	130	59	



2013 COMPLETE ROOF RACK SYSTEM - SR1003 - FIT GUIDE

Vehicle Make and Model	Year	3D Adapter A21116								
			Front	Rear	A		B		Weight Limit	
			inch	mm	inch	mm	Lbs	Kg	Fit Tips	

MITSUBISHI											
Colt 2DR	93-96		20	19	17 3/4	451	15 3/4	400	130	59	1c
Colt 2DR	93-96	✓	22	21	15 3/4	400	14 1/4	362	130	59	9o
Colt 4DR	93-96		20	19	17 3/4	451	15 3/4	400	130	59	1d
Mirage 2DR	93-96		20	19	17 3/4	451	15 3/4	400	105	48	1c
Mirage 2DR	93-96	✓	22	21	15 3/4	400	14 1/4	362	105	48	9o
Mirage 4DR	93-96		20	19	17 3/4	451	15 3/4	400	130	59	1d
NISSAN											
300 ZX T-Top	84-89		29	29	21 3/4	552	18 1/2	470	130	59	1d, 1g
NX 1600	91-93		28	28	19 3/4	502	17 3/4	451	130	59	1d, 1g
NX 2000	91-93		28	28	19 3/4	502	17 3/4	451	130	59	1d, 1g
Pathfinder 5DR	96-04		19	17	13 3/4	349	29 1/2	749	130	59	1i, 3c
Pulsar 2DR	83-86		19	18	19 1/4	489	21 3/4	552	130	59	1b
Stanza 4DR	87-89		20	20	9 3/4	248	25 1/2	648	130	59	3x
OLDSMOBILE											
Bravada 3DR	82-94		25	25	18	457	15 3/4	400	130	59	1d
Optima 3DR	87-93		20	19	18 1/2	470	15 3/4	400	130	59	1c, 3u, 4i
Optima 3DR	87-93	✓	19	19	17 1/4	438	15 1/4	387	130	59	3u, 9o
Optima 4DR	87-93		17	17	20	508	17 1/4	438	130	59	1d
Optima 5DR	87-93		17	17	20	508	17 1/4	438	130	59	1d
PLYMOUTH											
Colt 2DR	93-96		20	19	17 3/4	451	15 3/4	400	105	48	1c
Colt 2DR	93-96	✓	22	21	15 3/4	400	14 1/4	362	105	48	9o
Colt 4DR	93-96		20	19	17 3/4	451	15 3/4	400	130	59	1d
PONTIAC											
Fiero 2DR	84-88		26	26	15 3/4	400	13 3/4	349	130	59	1d
Firefly 3DR	95-00		15	14	15 3/4	400	13 3/4	349	130	59	1c
Firefly 3DR	95-00	✓	14	14	16 1/4	413	15 1/4	387	130	59	3u, 9o
Firefly 3DR	84-88		18	17	21 3/4	552	19 3/4	502	130	59	1c
Firefly 3DR	84-88	✓	20	20	18	457	15 3/4	400	130	59	9o
Firefly 4DR	95-00		14	12	9 3/4	248	23 1/2	597	130	59	
Firefly 4DR	84-88		19	19	8 3/4	222	27 1/2	699	130	59	3u
Le Mans 3DR	87-93		20	19	18 1/2	470	15 3/4	400	130	59	1c, 3u, 4i
Le Mans 3DR	87-93	✓	19	19	17 1/4	438	15 1/4	387	130	59	3u, 9o
Le Mans 4DR	87-93		17	17	20	508	17 1/4	438	130	59	1d
Le Mans 5DR	87-93		17	17	20	508	17 1/4	438	130	59	1d
SUZUKI											
Cultus 3DR	84-88		19	19	8 3/4	222	27 1/2	699	130	59	3u
Esteem 4DR	95-02		20	19	9 3/4	248	23 1/2	597	105	48	
Forsa 3DR	84-88		18	17	21 3/4	552	19 3/4	502	130	59	1c
Forsa 3DR	84-88	✓	20	20	18	457	15 3/4	400	130	59	9o
Forsa 5DR	84-88		19	19	8 3/4	222	27 1/2	699	130	59	3u
Swift 3DR	95-00		15	14	15 3/4	400	13 3/4	349	130	59	1c



2013 COMPLETE ROOF RACK SYSTEM - SR1003 - FIT GUIDE

Vehicle Make and Model	Year	3D Adapter A21116									 Fit Tips
			Front	Rear	A		B		Lbs	Kg	
					inch	mm	inch	mm			

**SUZUKI (continued - suite - consecuencia)**

Swift 3DR	95-00	✓	14	14	16 1/4	413	15 1/4	387	130	59	3u, 9o
-----------	-------	---	----	----	--------	-----	--------	-----	-----	----	--------

**TOYOTA**

Celica 3DR	79-85		24	24	20 3/4	527	19 3/4	502	130	59	1b
Cressida 4DR	85-88		25	25	11 3/4	298	25 1/2	648	130	59	
Echo 2DR	00-05		23	23	17	432	13 3/4	349	105	48	4i, 9o
Echo 4DR	00-05		23	22	11 3/4	298	27 1/2	699	105	48	4i
Echo 5DR	04-05		19	21	6	152	23 1/2	597	130	59	3y, 4i, 9q
MR-2	90-97		24	24	17	432	15	381	130	59	1d, 3c
Terrel 2DR	95-99		19	18	21 3/4	552	19 3/4	502	130	59	1c
Terrel 2DR	95-99		19	19	17 3/4	451	19 3/4	502	130	59	3u, 4i
Terrel 2DR	86-90		18	17	11 3/4	298	27 1/2	699	130	59	
Terrel 3DR	86-90		18	17	11 3/4	298	27 1/2	699	130	59	
Terrel 4DR	95-99		18	17	11 3/4	298	25 1/2	648	130	59	
Terrel 4DR	91-99		19	18	11	279	25 1/2	648	130	59	
Terrel 5DR	86-90		18	17	11 3/4	298	27 1/2	699	130	59	

**VOLKSWAGEN**

Corrado 3DR	90-95		12	16	13 3/4	349	23 1/2	597	130	59	
-------------	-------	--	----	----	--------	-----	--------	-----	-----	----	--