

1.) One of the wire dividers comes pre-assembled. Assemble the second wire divider using the pre-assembled divider as a guide for proper assembly.

2.) Using the phillips head screws and rectangular nuts assemble mounting tabs to divider as shown in Illustration A (for centerbolt valve covers use the longer mounting tabs, for pre-87 valve covers, use the shorter mounting tabs as shown in Illustration B).

3.) Bolt complete assembly to valve cover and adjust as needed.

4.) Attach spark plug wires, DO NOT OVERTIGHTEN BOLTS!  
Overtightening bolts may strip the threads and/or damage the spark plug wires.

*Note: To maintain adjustability of wire looms after they are installed on a center bolt valve cover use the two identical brackets on the same side (see Illustration C).*

Illustration A

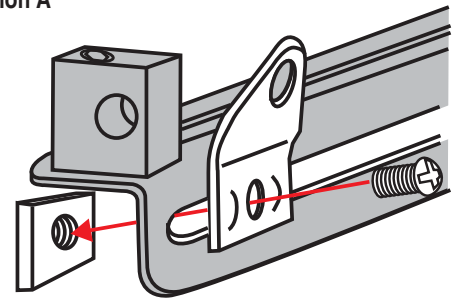


Illustration B

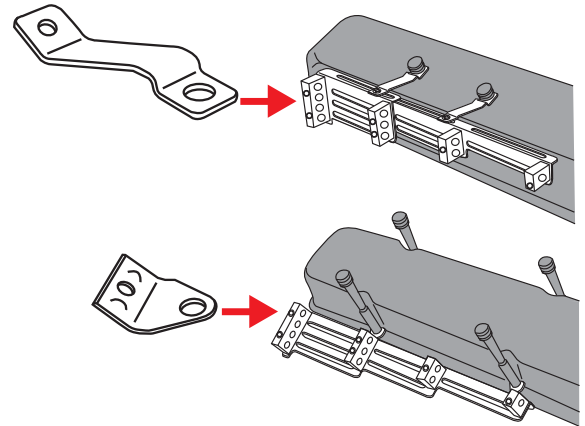
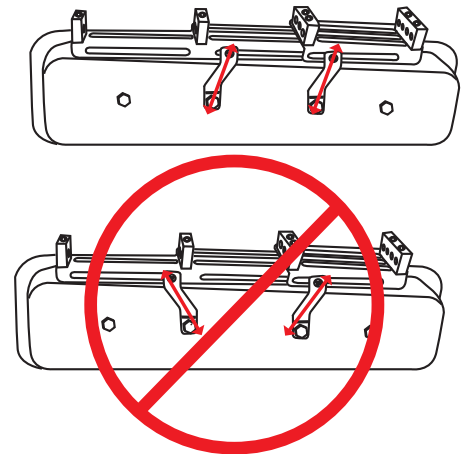


Illustration C



Spectre provides the best performance spark plug wires.