

FUEL PUMP DRIVER MODULE INSTALLATION INSTRUCTIONS /

ENGLISH

THOROUGHLY READ AND UNDERSTAND THESE INSTRUCTIONS PRIOR TO REPLACING THE FUEL PUMP DRIVER MODULE.

This fuel pump driver module applies to many vehicles. The location of the module will vary from model and year of the vehicle. Replacement procedures found in this instruction sheet will assist you in performing the necessary module replacement. Additional information, tools or parts will require the manufacturers' FUEL SYSTEM technical service manual.

This module comes with an assortment of bolts and rubber bushing for the truck applications. This updated version prevents corrosion of the housing by increasing the gap between the frame and the module. Depending on the location of the module specific bolts are necessary to mount the unit.

For the fuel pump driver module mounted on the frame cross rail found above the spare tire, use the rubber insulators and bolts of kit 1.

FIGURE A

Installation on the frame cross rail

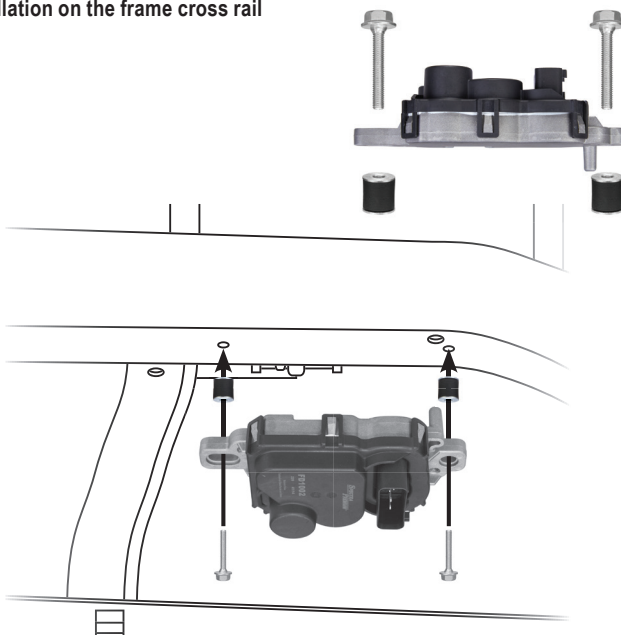
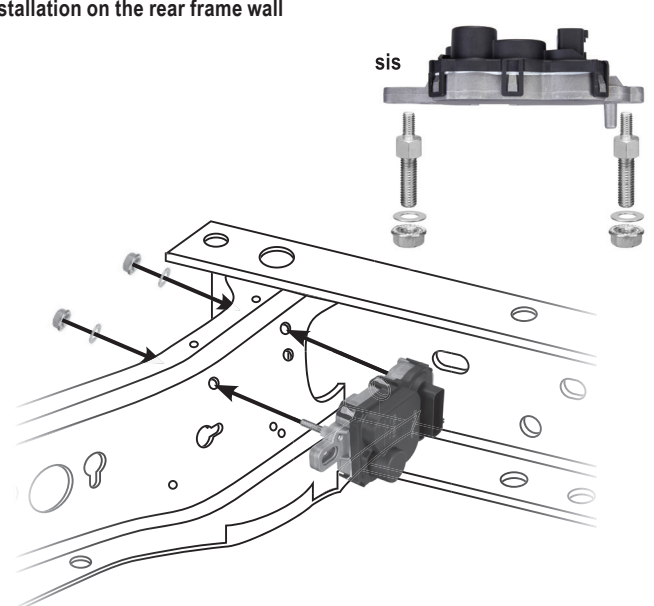


FIGURE B

Installation on the rear frame wall



Technical Notice /

FUEL PUMP DRIVER MODULE INSTALLATION INSTRUCTIONS /

ENGLISH

FIGURE A

REMOVAL AND INSTALLATION

(mounted on the frame cross rail)

1. Position vehicle on a hoist or lifting jack and secure with stands.
2. Lower the spare tire.
3. Disconnect the fuel pump driver module electrical connector.
4. Remove the bolts and the fuel pump driver module.
5. Place the new mounting bolts on the module.
6. Install the rubber insulators over the bolts under the module from Kit 1.
7. Install the module to its original location.
8. Tighten the bolts to 89 lb-in (10Nm).
9. Reconnect the fuel pump driver module electrical connector.
10. Reposition spare tire.

For the fuel pump driver module mounted on the rear frame wall near the spare tire, use the double threaded ends studs and nuts of kit 2.

FIGURE B

REMOVAL AND INSTALLATION

(mounted on the rear frame wall)

1. Position vehicle on a hoist or lifting jack and secure with stands.
2. Lower the spare tire.
3. Disconnect the Fuel Pump Driver Module electrical connector.
4. Remove the 2 retaining nuts holding the module.
5. Install the new double threaded ends studs to the bottom side of the module threaded holes and secure from Kit 2.
6. Place the flat washers on the studs and position the module on the frame.
7. Install the nuts and tighten to 89 lb-in. (10 Nm).
8. Reconnect the fuel pump driver module electrical connector.
9. Reposition spare tire.