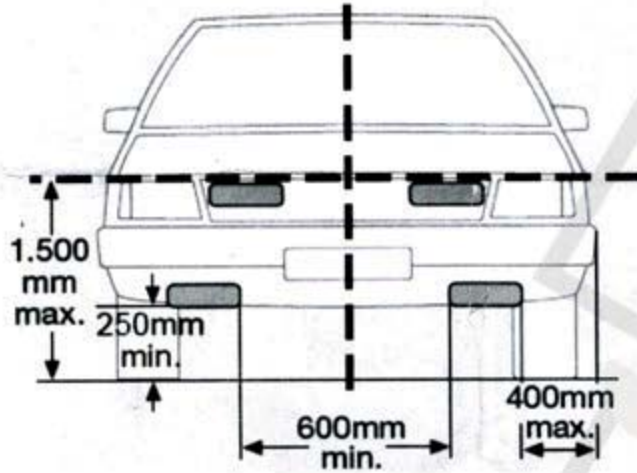
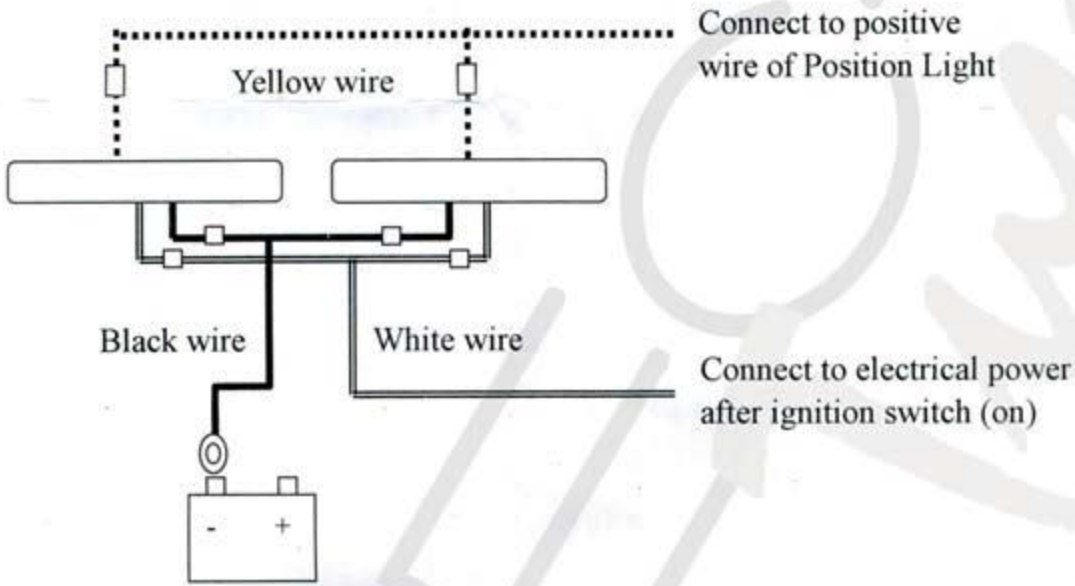


UNIVERSAL DAYTIME RUNNING LIGHT INSTALLATION INSTRUCTIONS

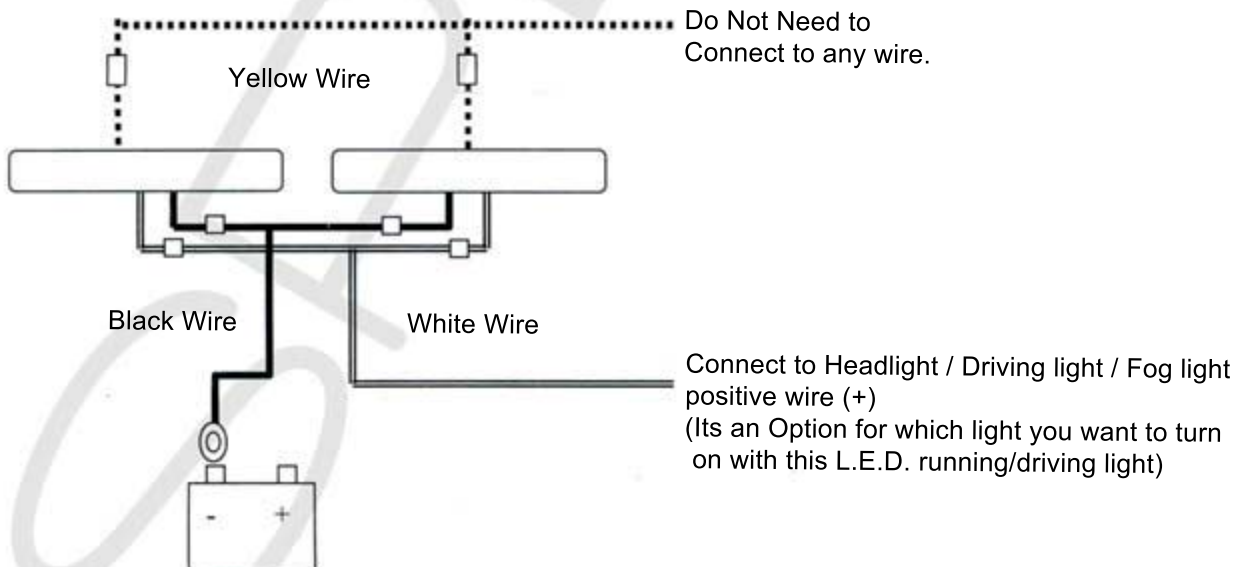
SPEC-D
Turnings



Wire Connection: (For vehicle that does not have Daytime Running Light)



Wire Connection: (For connection to headlight, driving light and fog light)



The great thing about this LED running lights is you can connect to any Headlights, Driving Lights, or Fog Lights. Simply follow the installation and enjoy the new look.