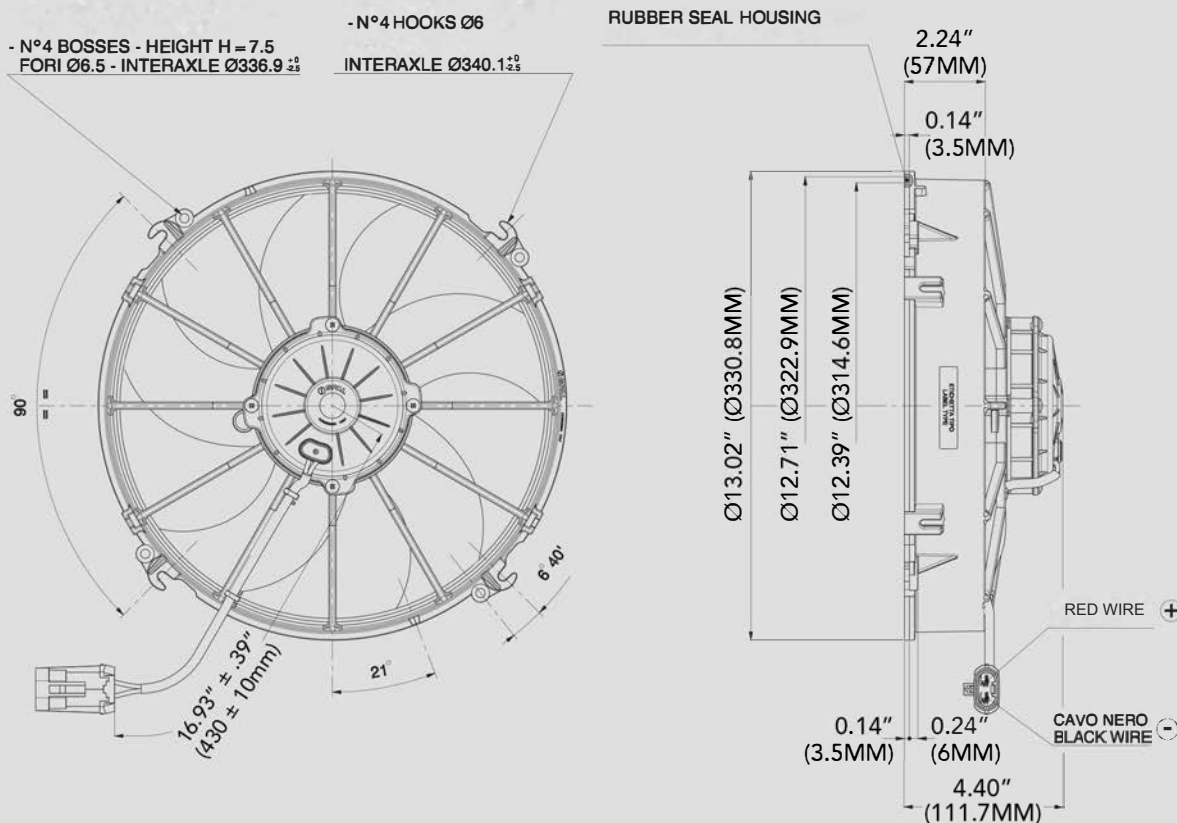




VA01-AP90/LL-66A
VA01-AP90/LL-79S

12V C.C. - D.C.



Ø 305 mm

Ø 12"

Connector 630 Packard Code 15363993
Terminal Packard Code 12064735
Suggested mounting torque: 3(+1/ 0) Nm with screw M5
Weight 3,23 Kg. approx.

PRODUCT FEATURES

Waterproof motor, IP 68



Waterproof connector



Long life



Low noise



VLL version*



Accessories: all the fixing kits



* for OEM applications only.



Standart Feature



Available upon request

suction

blowing

Static pressure mm H ₂ O	Airflow m ³ /h	Current input A	Airflow CFM	suction		blowing		Static pressure inH ₂ O
				Airflow m ³ /h	Current input A	Airflow CFM	Static pressure inH ₂ O	
0	3170	25,0	1870	3390	32,2	2000	0	
5	2870	27,1	1693	3170	33,4	1870	0,2	
10	2640	28,9	1558	2930	33,5	1729	0,4	
15	2380	29,7	1404	2630	34,4	1552	0,6	
20	2140	30,8	1263	2280	34,2	1345	0,8	
25	1730	31,0	1021	1820	34,6	1074	1	
30	1040	32,2	614	1350	34,4	797	1,2	
35	760	34,0	448	940	35,7	555	1,4	
40	510	36,1	301	780	37,9	460	1,6	
45	330	36,6	195	610	37,9	360	1,8	
50	150	38,9	89	330	39,7	195	2	
55	0	38,6	0	0	41,7	0	2,2	

Test voltage 13 V. d.c.