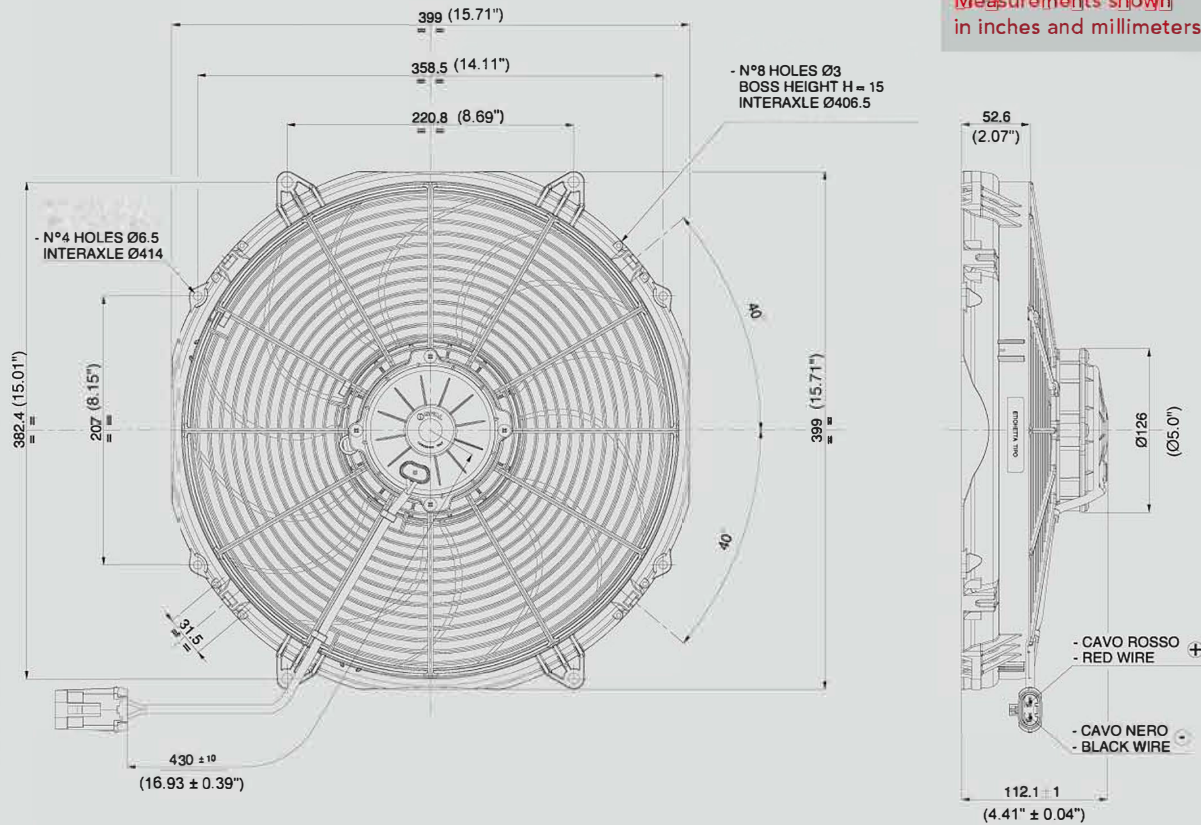


Measurements shown in inches and millimeters



∅ 385 mm

∅ 16"

Male connector 630 Packard Code 15363993
 Male terminal 630 Packard Code 12064735
 Suggested mounting torque: 3(+1/-0) Nm with screw M5
 Weight 3,5 Kg. approx.

PRODUCT FEATURES

Waterproof motor, IP 68	✓
Low Noise	✓
Long life	✓
Waterproof connector	✓
VLL version*	✓
Accessories all the fixing kits	✓

suction

Static pressure mm H ₂ O	Airflow Portata m ³ /h	Current input Corrente assorbita A	Airflow Portata CFM	Static pressure inH ₂ O
0	3310	26,6	1953	0
5	3050	27,5	1800	0,2
10	2790	28,0	1646	0,4
15	2460	28,3	1451	0,6
20	1890	28,0	1115	0,8
25	1150	27,4	679	1
30	780	27,6	460	1,2
35	390	28,1	230	1,4
40	0	29,5	0	1,6

* for OEM applications only. ✓ = Standard feature

✓ = Available upon request

Test voltage 13 V. d.c.