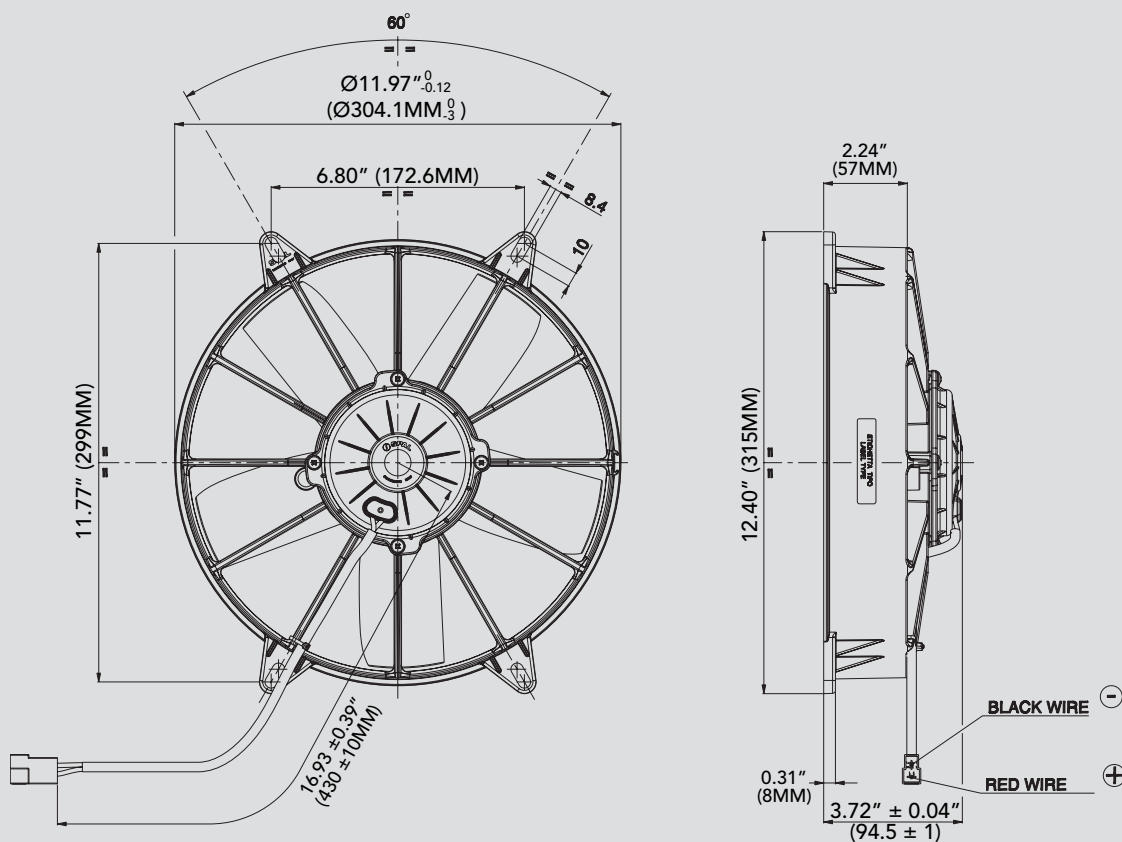


12V C.C. - D.C.

VA03-AP70/LL-37A  
VA03-AP70/LL-37S



AMP connector Code 180908  
AMP terminal Code 42098-2  
Suggested mounting torque: 3(+1/-0) Nm with screw M8  
Weight 2,37 Kg. approx.

280 mm

11"

suction

blowing

PRODUCT FEATURES

Static pressure mm H <sub>2</sub> O	suction			blowing			Static pressure inH <sub>2</sub> O
	Airflow m <sup>3</sup> /h	Current input A	Airflow CFM	Airflow m <sup>3</sup> /h	Current input A	Airflow CFM	
0	2330	12,8	1375	2220	11,2	1310	0
5	2100	14,0	1239	1970	12,2	1162	0,2
10	1770	14,4	1044	1720	13,0	1015	0,4
15	1230	13,9	726	1380	13,5	814	0,6
20	860	15,0	507	1010	14,2	596	0,8
25	630	15,6	372	670	14,5	395	1
30	440	16,0	260	410	15,0	242	1,2
35	170	17,1	100	140	16,1	83	1,4
40	0	18,4	0	0	17,1	0	1,6

Waterproof motor, IP 68



Long life



VLL version\*



Waterproof connector



\* for OEM applications only.

✓ = Standard feature

✓ = Available upon request

Test voltage 13 V. d.c.

Learn more about engine cooling on our website.