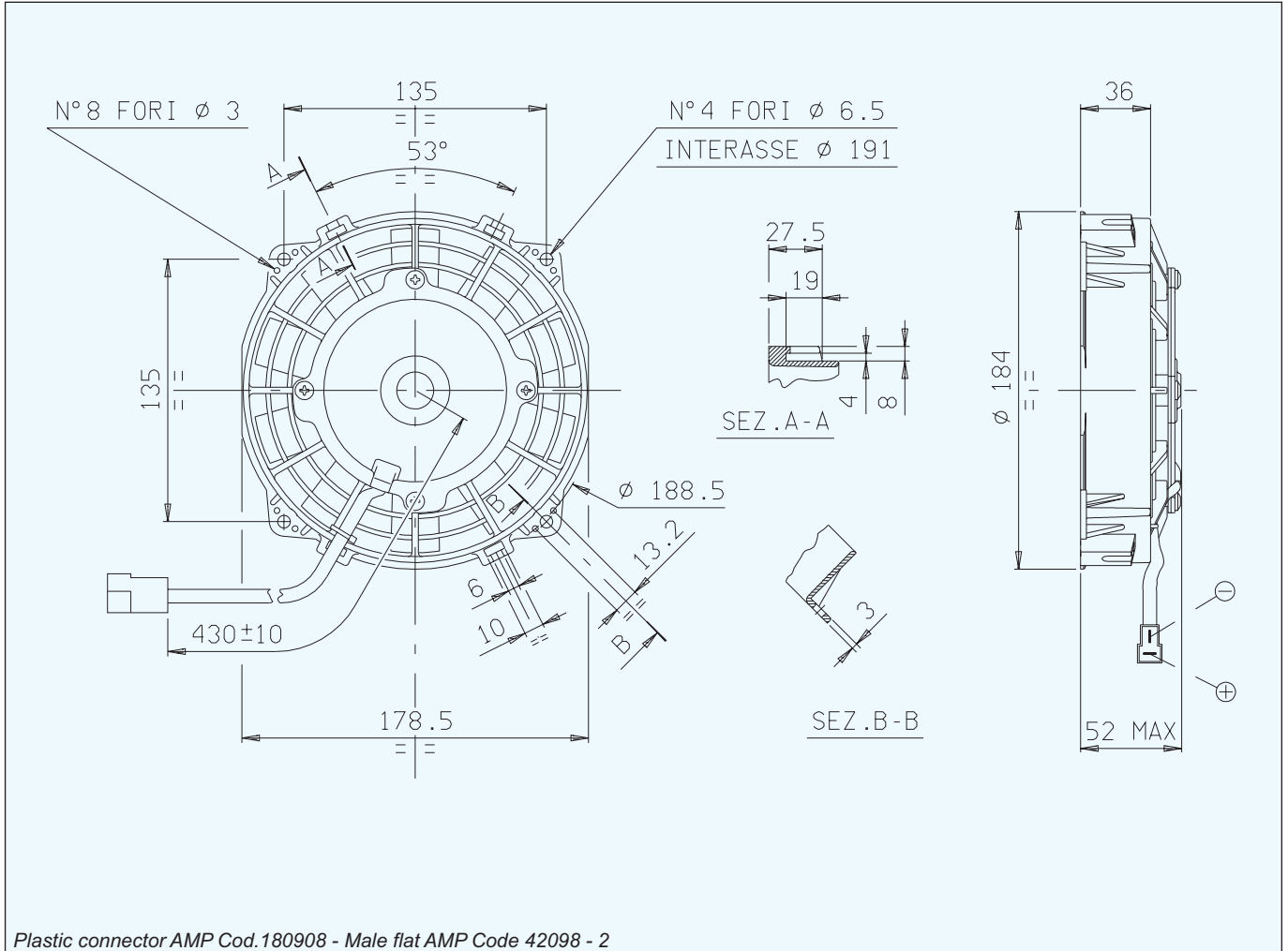


Cod. <b>3010.0402</b> <b>3010.0403</b>	Type	Fan diameter
	<b>VA22 - AP11/C - 50A</b> Suction <b>VA22 - AP11/C - 50S</b> Blowing	<b>167 mm</b>



Plastic connector AMP Cod.180908 - Male flat AMP Code 42098 - 2



\* Weight 0,800 Kg. approx.

\* Waterproof motor, IP 68

\* Long life

\* Available also in LL and VLL versions for OEM applications only.

\* Available accessories: all the fixing kits.



Test voltage 13 V DC

Static pressure mm H <sub>2</sub> O	Airflow m <sup>3</sup> /h	Current input A
0	550	6,3
2,5	520	6,4
5	480	6,5
7,5	460	6,5
10	400	6,3
12,5	260	6,2
15	200	6,1
17,5	170	6,3
20	100	6,5
25	0	6,5

Static pressure: 1 mm H<sub>2</sub>O = 0,04 in. H<sub>2</sub>O  
Airflow: 1 m<sup>3</sup>/h = 0,59 cfm