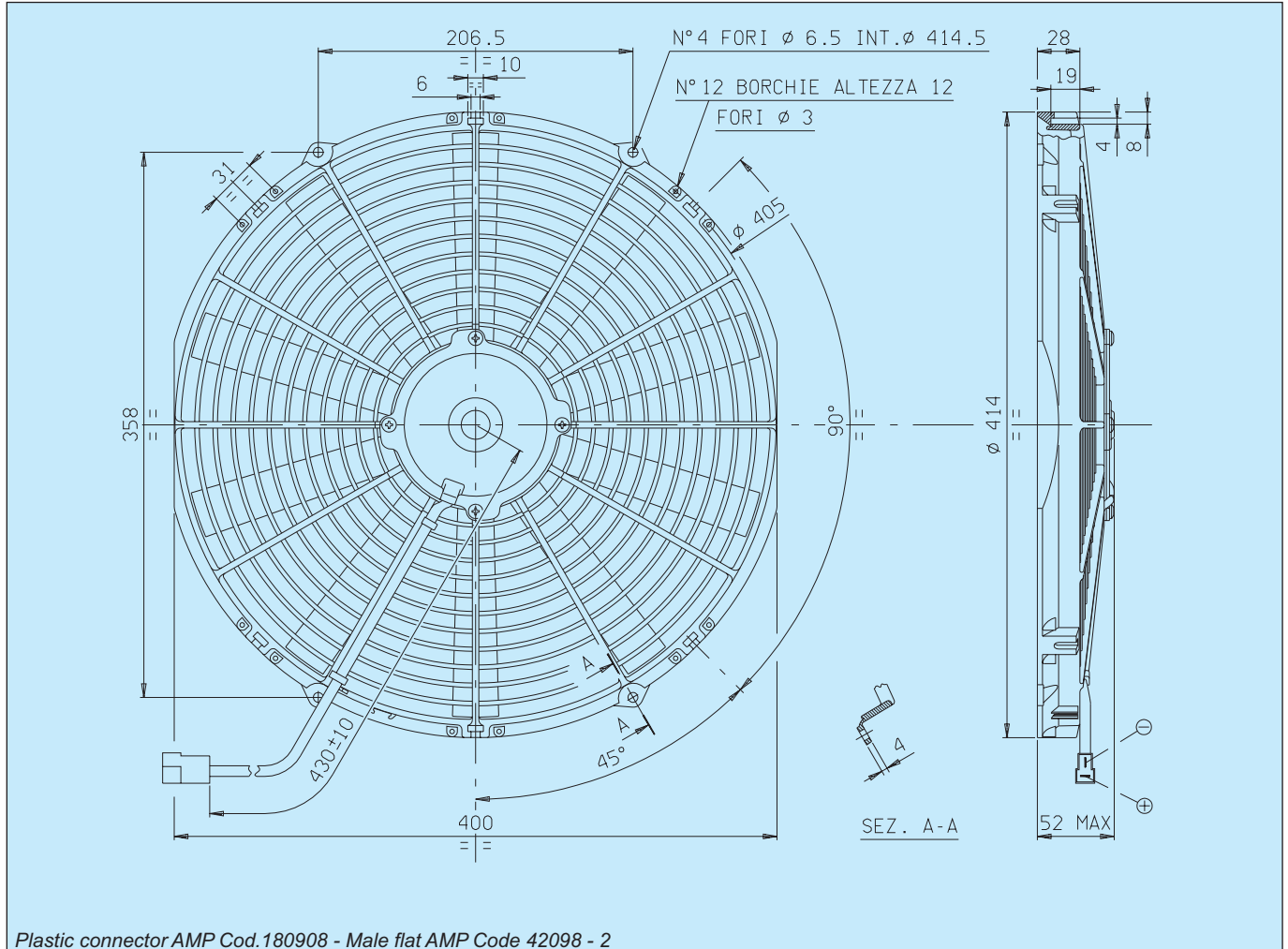


Cod. 3010.0400 3010.0401	Tipo - Type VA18 - AP10/C - 41A Suction VA18 - AP10/C - 41S Blowing	Fan diameter 385 mm
--	---	-------------------------------



* Weight 1,300 Kg. approx.

* Waterproof motor, IP 68

* Long life

* Available also in LL and VLL versions for OEM applications only.

* Available accessories: all the fixing kits.



Test voltage 13 V DC

Static pressure mm H ₂ O	Airflow m ³ /h	Current input A
0	2200	7,5
2,5	1950	8,1
5	1670	8,3
7,5	1330	8,5
10	900	8,5
12,5	490	8,0
15	0	8,0

Static pressure: 1 mm H₂O = 0,04 in. H₂O
Airflow: 1 m³/h = 0,59 cfm