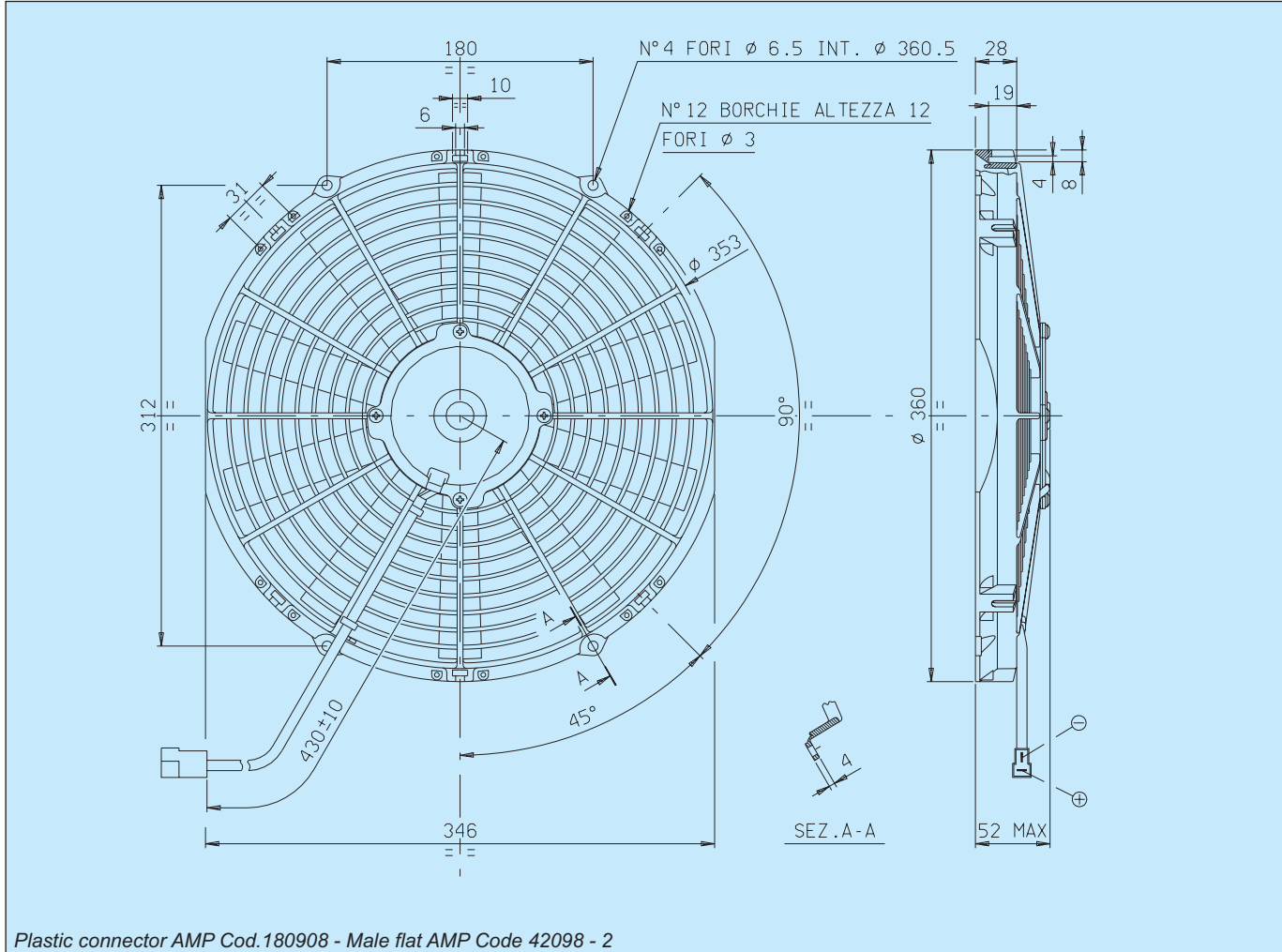


Cod. 3010.0398 3010.0399	Type VA13 - AP9/C - 35A Suction VA13 - AP9/C - 35S Blowing	Fan diameter 330 mm
--------------------------------	--	------------------------



Plastic connector AMP Cod.180908 - Male flat AMP Code 42098 - 2



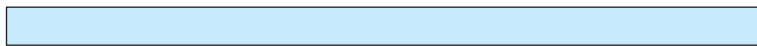
* Weight 1,120 Kg. approx.

* Waterproof motor, IP 68

* Long life

* Available also in LL and VLL versions for OEM applications only.

* Available accessories: all the fixing kits.



Tensione di prova 13 V cc - Test voltage 13 V DC

Static pressure mm H ₂ O	Airflow m ³ /h	Current input A
0	1750	7,1
2,5	1550	7,5
5	1400	7,7
7,5	1170	7,8
10	820	7,9
12,5	500	7,8
15	280	7,7
17,5	0	7,7

Static pressure: 1 mm H₂O = 0,04 in. H₂O
Airflow: 1 m³/h = 0,59 cfm