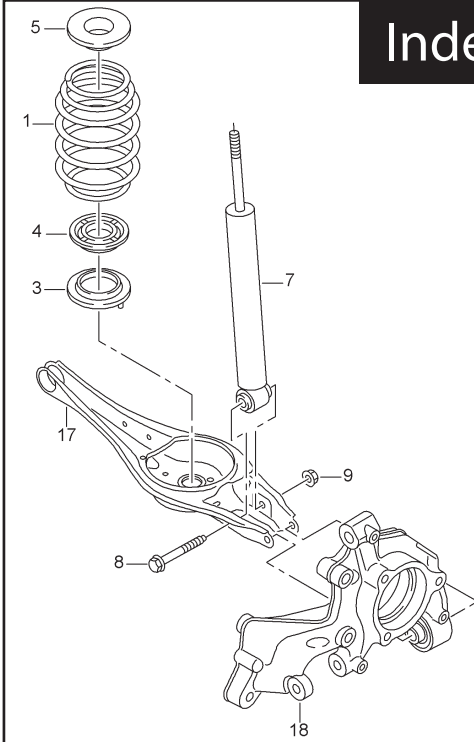


VW AG Group MQB Suspension Identification MK7 Audi A3/S3 TT - VW Golf

Independent Rear Suspension



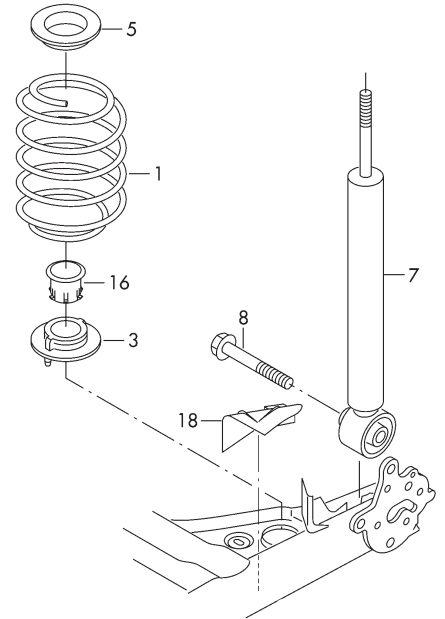
Key Identification Points:

- #17 - Lower Control Arm
- #1 - Spring Sits in #6 "Pocket"
- #7 - Shock Bolts through arm with bolt #8 & nut #9

Trailing Arm Rear Suspension

Key Identification Points:

- #1 - Spring Sits on #3 on platform
- #7 - Shock Bolts in bracket using #8 bolt & nut (not shown)



Front Strut Measurement																
inch																
mm																
1	2	3	4	5	6	7	8	9	10	11	12	13	14	15	50mm	55mm

Check out the collection of performance suspension parts we offer.