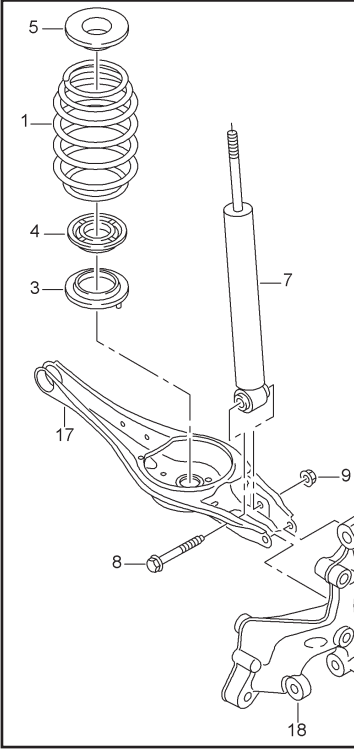


## VW AG Group MQB Suspension Identification MK7 Audi A3/S3 TT - VW Golf

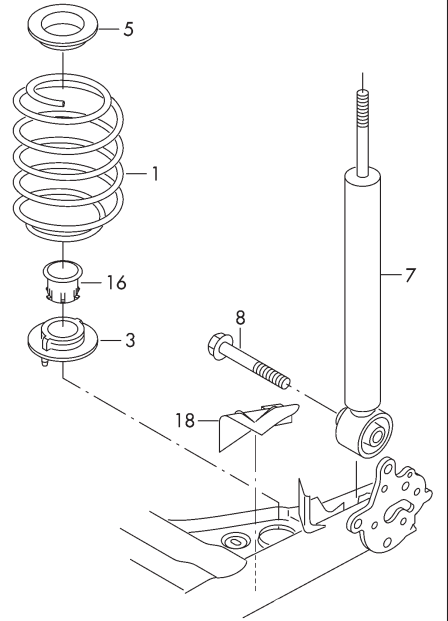
### Independent Rear Suspension



**Key Identification Points:**  
 #17 - Lower Control Arm  
 #1 - Spring Sits in #6 "Pocket"  
 #7 - Shock Bolts through arm with bolt #8 & nut #9

### Trailing Arm Rear Suspension

**Key Identification Points:**  
 #1 - Spring Sits on #3 on platform  
 #7 - Shock Bolts in bracket using #8 bolt & nut (not shown)



	1"	2"	3"	4"	5"	6"	
			inch				
<b>Front Strut Measurement</b>							
						50mm	55mm
1	2	3	4	5	6	7	8
9	10	11	12	13	14	15	

Check out the collection of performance suspension parts we offer.