

Quick and easy to
install – instructions
on backside



Aids in the
removal of hard,
compact snow



Works great with
snow or gravel

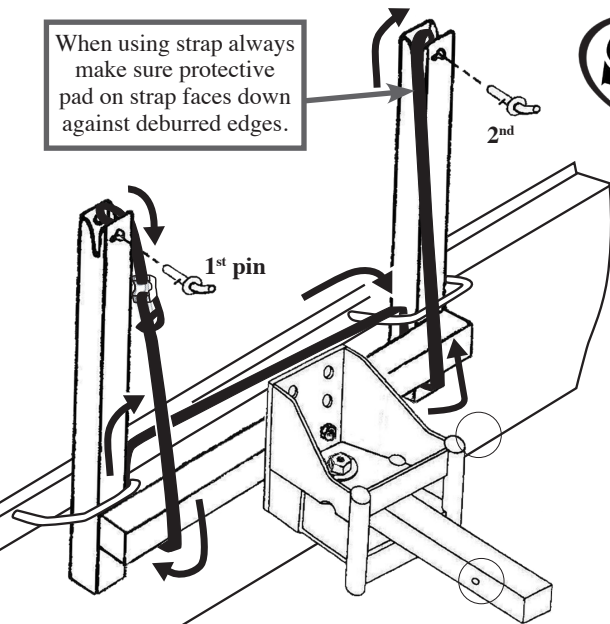
SNOWSPORT[®]
HDS

*Hold Down Strap -
Ideal for Gravel, Dirt
and Stubborn Snow*

**Works with
any SnowSport[®]
Utility Plow**



When using strap always make sure protective pad on strap faces down against deburred edges.



Preparation:



BEFORE INSTALLING AND USING STRAP
Deburr any sharp edges along these areas, where strap touches.

Repeat where strap touches on opposite frame.

Part No. 50363A

Instructions - Routing Strap

- 1) Insert 1st pin through keyhole in frame and 1st loop.
- 2) Run strap down under frame, then up through round hinge of blade.
- 3) Continue across to opposite round hinge down under frame, up and insert 2nd pin through keyhole in frame and 2nd loop.
- 4) Use buckle to set strap tension as needed.