



31061 INSTALLATION INSTRUCTIONS



Safety glasses should be worn at all times while installing this product.

YEARS: "09" - CURRENT

MAKE: NISSAN

MODEL: TITAN

STYLE: TRUCK

WARNING: NEVER EXCEED YOUR VEHICLE MANUFACTURER'S RECOMMENDED TOWING CAPACITY

WEIGHT CARRYING:
TRAILER WEIGHT: 5,000 LBS.
TONGUE WEIGHT: 500 LBS.

GROSS LOAD CAPACITY WHEN USED AS A STRAIGHT LINE PULL:
9,000 LBS MAX.

INSTALLATION TIME: 45 MIN.

THE INSTALL TIME LISTED IS FOR PROFESSIONAL INSTALLERS. IF YOU ARE HESITANT TO UNDERTAKE THIS TASK ON YOUR OWN, CONTACT AN AUTHORIZED CURT INSTALLER FOR ADDITIONAL ASSISTANCE.

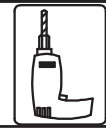
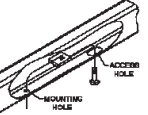

INSTALLATION REQUIRES:

 SAFETY GLASSES	 POWER DRILL	 DRILL BIT 17/32"
 RATCHET	 SOCKET 19mm 17mm 11/16"	 BOXED END WRENCH 11/16"
 TORQUE WRENCH	 CENTER PUNCH	 SOCKET EXTENSION

INSTALLATION TIPS:

1. BEFORE YOU BEGIN INSTALLATION, READ ALL INSTRUCTIONS THOROUGHLY.
2. TO EASE INSTALLATION, 2 PEOPLE MAY BE REQUIRED.
3. USING PROPER TOOLS WILL GREATLY IMPROVE THE QUALITY OF THE INSTALL AND REDUCE THE TIME REQUIRED.
4. NEED HELP OR HAVE SOME QUESTIONS?

LEVEL OF DIFFICULTY: MODERATE

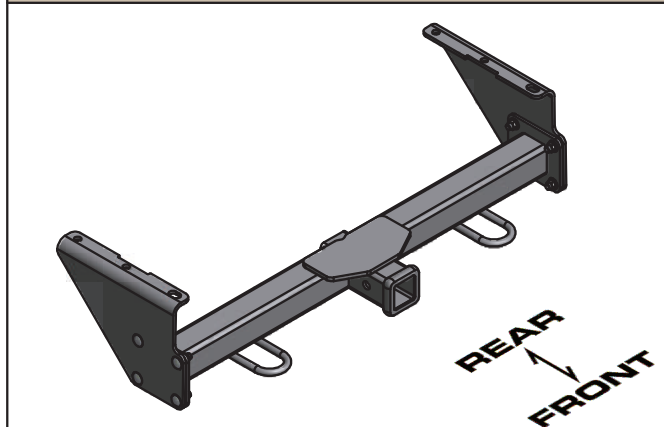
EASY	MODERATE	CHALLENGING
	FRAME DRILLING REQUIRED	
	FISHWIRE HARDWARE	
	TEMPORARY TOW HOOK REMOVAL	

VEHICLE PHOTO:



REPRESENTATIVE PHOTO

HITCH ILLUSTRATION:

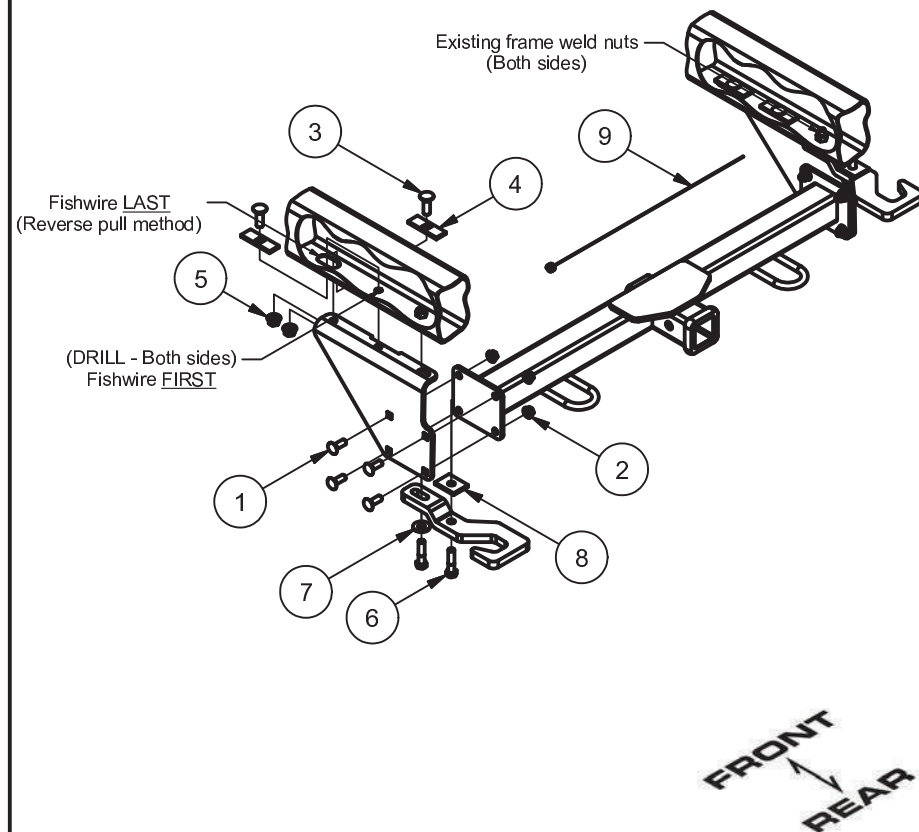


MAKE SURE YOUR HITCH MATCHES

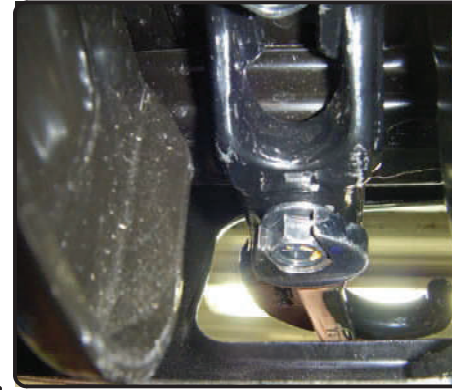
INSTALLATION WALKTHROUGH:

Parts List				
ITEM	QTY	PART NUMBER	DESCRIPTION	
1	8	7/16-14 x 1 1/4	CARRIAGE BOLT	
2	8	7/16-14	HEX FLANGE NUT	
3	4	1/2-13 x 1 1/2	CARRIAGE BOLT	
4	4	CM-SP40	.188 x 1.00 x 3.00" SQUARE HOLE SPACER	
5	4	HFN 12 13	HEX FLANGE NUT	
6	4	M12 - 1.25 x 50 HEX	HEX BOLT	
7	2	1/2"	CONICAL TOOTHED WASHER	
8	2	CM-SP32	.188 x 1.50 x 2.00" ROUND HOLE SPACER	
9	4	1_2 FISHWIRE	1/2" FISHWIRE	

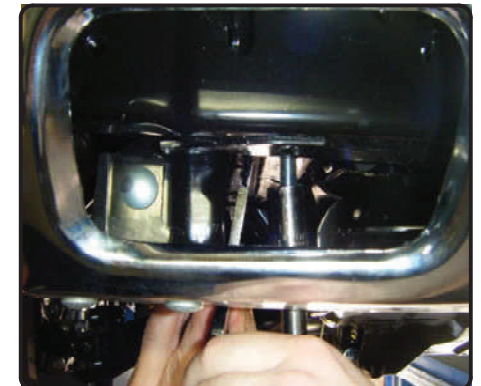
ILLUSTRATION



1. Remove tow hooks and set aside for later reattachment. Hardware to be returned to vehicle owner and will not be reused.



2. Raise side plates up to frame and secure each side plate at its forward most mounting hole. (Finger tighten only). Rearmost mounting hole must align with large slot in frame. Using middle hole in each side plate as a template, center mark, then remove side plates.
3. Drill holes into frame using a 17/32" drill at the center marked locations from Step #2.

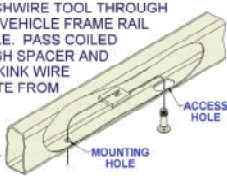


INSTALLATION WALKTHROUGH:

4. Fishwire hardware into frame as shown in ILLUSTRATION and the two details shown below.

FISHWIRE TECHNIQUE

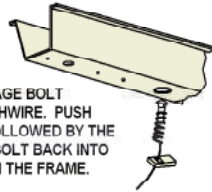
INSERT COILED END OF FISHWIRE TOOL THROUGH HITCH MOUNTING HOLE IN VEHICLE FRAME RAIL AND OUT THE ACCESS HOLE. PASS COILED END OF FISHWIRE THROUGH SPACER AND THREAD BOLT INTO COIL. KINK WIRE TO KEEP SPACER SEPERATE FROM BOLT AS SHOWN. PULL FISHWIRE, SPACER, AND BOLT THROUGH FRAME AND OUT MOUNTING HOLE. USE FISHWIRE TO GUIDE HITCH DURING MOUNTING AND PREVENT LOSS OF BOLT / SPACER INSIDE FRAME RAIL.



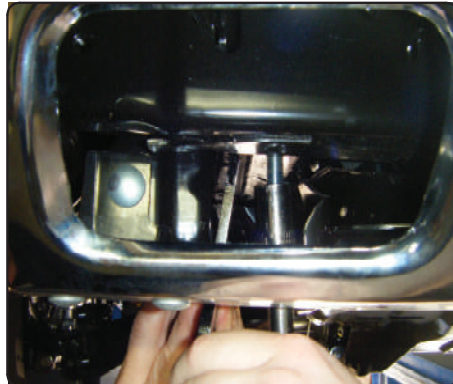
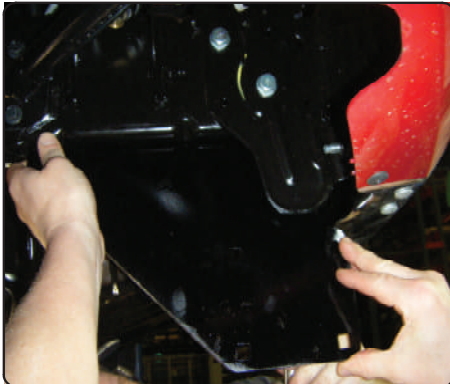
***NOTE: SOME VEHICLES MAY FISHWIRE THROUGH END OF FRAME**

REVERSE PULL FISHWIRE TECHNIQUE

ATTACH FISHWIRE TO CARRIAGE BOLT AND SLIDE SPACER ONTO FISHWIRE. PUSH THE BOLT THRU THE HOLE FOLLOWED BY THE SPACER (AS SHOWN). PULL BOLT BACK INTO POSITION, PROTRUDING FROM THE FRAME.



5. After fishwiring hardware into frame raise side plates and tow hooks into position and bolt to frame using spacers, 1/2"-13, and M12 hardware. (Finger tighten only).



6. Assemble center hitch to side plates using 7/16" hardware as shown in ILLUSTRATION and pictures below.

Torque M12 fasteners to 86 lb-ft., 1/2" fasteners to 110 lb-ft., and 7/16" fasteners to 70 lb-ft.



7. Installation complete.



2009 - CURRENT NISSAN TITAN

*****DO NOT EXCEED VEHICLE MANUFACTURER'S RECOMMENDED TOWING CAPACITY*****.

FRONT MOUNTED ACCESSORIES

1) Do not exceed front axle Gross Weight Rating (GAWR). Consult owners manual or specification plate located on driver's door frame. Measure gross front axle weight by placing front wheels of loaded vehicle on a scale.

WARNING: Exceeding GAWR may overload the front axle and/or suspension. This could result in **accident, property damage and personal injury.**

- 2) Reposition front mounted license plate if obstructed.
- 3) Do not obstruct vehicle lights.
- 4) Allow free air flow into grille opening.
- 5) Rear wheel traction may be reduced. This could effect handling. Reduce speed and drive with caution.
- 6) Accessories extend front of vehicle. This may reduce approach angle. Use caution when parking and maneuvering.
- 7) Do not obstruct driver view.

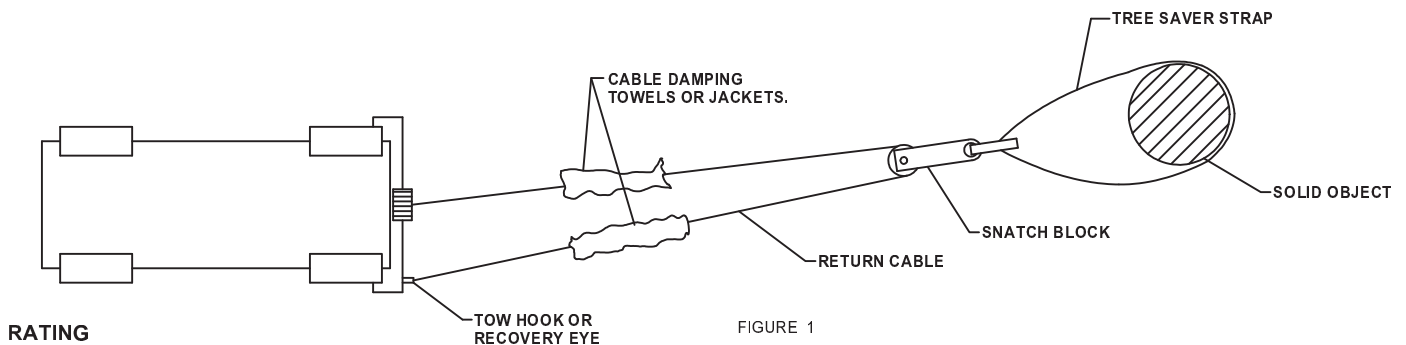
VEHICLE RECOVERY AND WINCHING TIPS

1) Use OEM tow hooks, recovery eyes or a clevis mount for attachment of a tow strap or winch cable.

WARNING: NEVER use a ball and/or ball mount as an anchor point for tow strap or winch cable. Severe personal injury or death could result.

- 2) Observe winch manufacturer's recommendations, cautions and warnings.
- 3) Attach return cable to tow hook or recovery eye when using a snatch block (See figure 1).

CAUTION: Do not attach return cable to winch mount. This may overload winch mount and/or front mounted receiver.



RATING

For **Maximum** line pull rating, winch cable must not exceed:
- 15 degree angle up or down from horizontal (See Figure 2).
- 45 degree angle left or right from straight ahead (See Figure 3).

CAUTION: Exceeding the maximum line pull rating may over load winch, winch mount, and/or front mounted receiver.

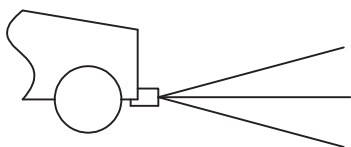
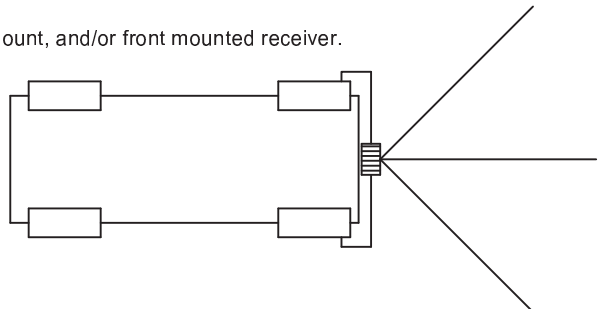


FIGURE 2



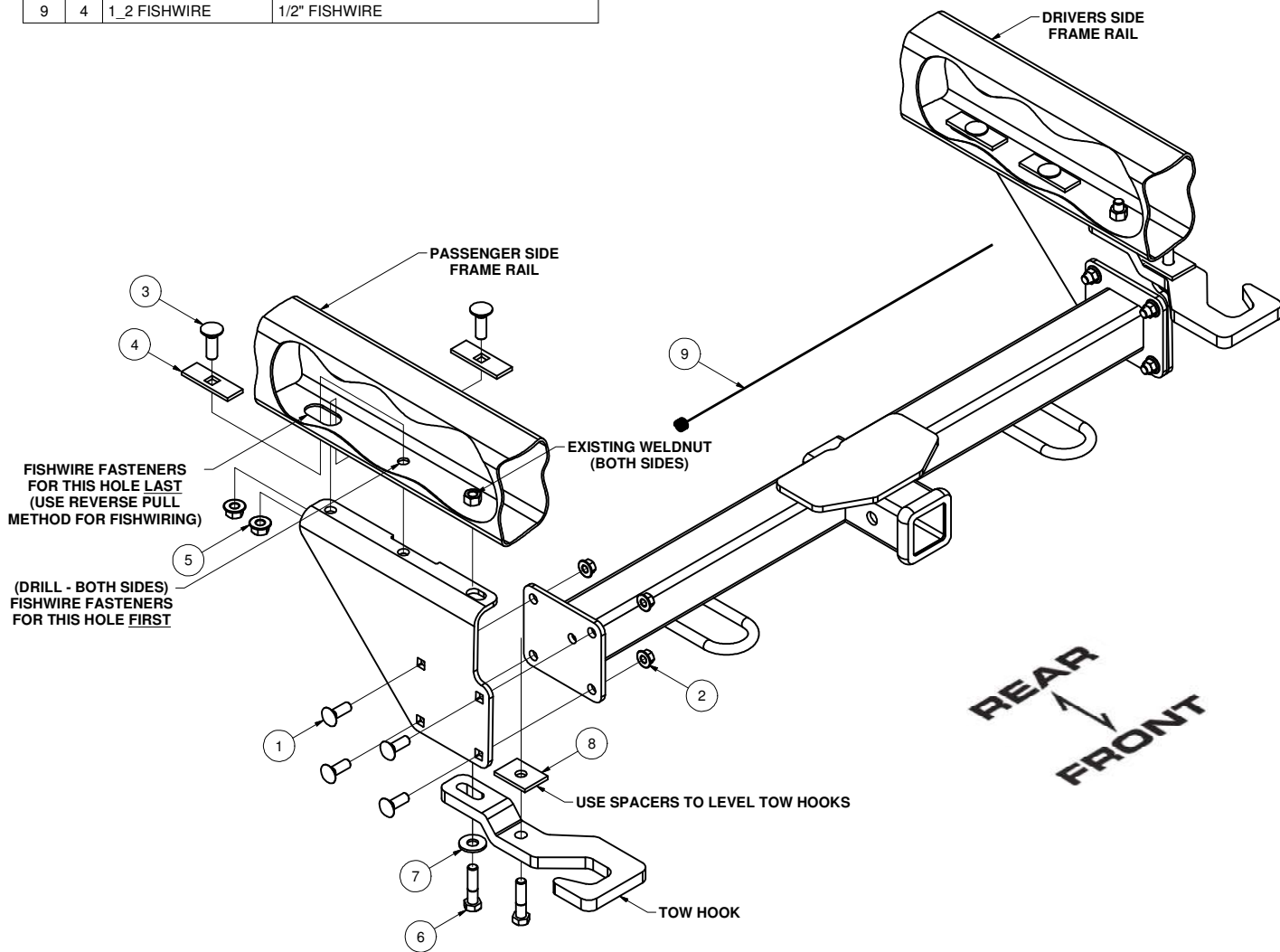
product to
replace the
manufacturer

2009 - CURRENT NISSAN TITAN

GROSS LOAD CAPACITY WHEN USED AS A WEIGHT CARRYING HITCH: 5,000 LBS. TRAILER WEIGHT & 500 LBS. TONGUE WEIGHT.
GROSS LOAD CAPACITY WHEN USED AS A STRAIGHT LINE PULL: 9,000 LBS. MAX. LINE PULL.
***** DO NOT EXCEED VEHICLE MANUFACTURER'S RECOMMENDED TOWING CAPACITY. *****

Parts List			
ITEM	QTY	PART NUMBER	DESCRIPTION
1	8	7/16-14 x 1 1/4	CARRIAGE BOLT
2	8	7/16-14	HEX FLANGE NUT
3	4	1/2-13 x 1 1/2	CARRIAGE BOLT
4	4	CM-SP40	.188 x 1.00 x 3.00" SQUARE HOLE SPACER
5	4	HFN 1213	HEX FLANGE NUT
6	4	M12 - 1.25 x 50 HEX	HEX BOLT
7	2	1/2"	CONICAL TOOTHED WASHER
8	2	CM-SP32	.188 x 1.50 x 2.00" ROUND HOLE SPACER
9	4	1_2 FISHWIRE	1/2" FISHWIRE

TOOLS REQUIRED
SAFETY GLASSES
POWER DRILL
1/2" DRILL BIT
RATCHET
SOCKET 19mm, 17mm, 11/16"
BOXED END WRENCH 11/16"
TORQUE WRENCH
CENTER PUNCH
SOCKET EXTENSION



FISHWIRE FASTENERS FOR THIS HOLE LAST (USE REVERSE PULL METHOD FOR FISHWIRING)

(DRILL - BOTH SIDES) FISHWIRE FASTENERS FOR THIS HOLE FIRST

FISHWIRE TECHNIQUE

INSERT COILED END OF FISHWIRE TOOL THROUGH HITCH MOUNTING HOLE IN VEHICLE FRAME RAIL AND OUT THE ACCESS HOLE. PASS COILED END OF FISHWIRE THROUGH SPACER AND THREAD BOLT INTO COIL. KINK WIRE TO KEEP SPACER SEPARATE FROM BOLT AS SHOWN. PULL FISHWIRE, SPACER, AND BOLT THROUGH FRAME AND OUT MOUNTING HOLE. USE FISHWIRE TO GUIDE HITCH DURING MOUNTING AND PREVENT LOSS OF BOLT / SPACER INSIDE FRAME RAIL.

NOTE: SOME VEHICLES MAY FISHWIRE THROUGH END OF FRAME

REVERSE PULL FISHWIRE TECHNIQUE

ATTACH FISHWIRE TO CARRIAGE BOLT AND SLIDE SPACER ONTO FISHWIRE. PUSH THE BOLT THRU THE HOLE FOLLOWED BY THE SPACER (AS SHOWN). PULL BOLT BACK INTO POSITION, PROTRUDING FROM THE FRAME.

2009 - CURRENT NISSAN TITAN

GROSS LOAD CAPACITY WHEN USED AS A WEIGHT CARRYING HITCH: 5,000 LBS. TRAILER WEIGHT & 500 LBS. TONGUE WEIGHT.

GROSS LOAD CAPACITY WHEN USED AS A STRAIGHT LINE PULL: 9,000 LBS. MAX. LINE PULL.

***** DO NOT EXCEED VEHICLE MANUFACTURER'S RECOMMENDED TOWING CAPACITY. *****

HITCH WEIGHT: .39 LBS.

INSTALL TIME

PROFESSIONAL: .45 MINUTES

NOVICE (DIY): .90 MINUTES

INSTALL NOTES:

- DRILLING REQUIRED
- REMOVE TOW HOOKS

INSTALLATION STEPS

- 1) Remove tow hooks and set aside for later reattachment. Hardware to be returned to vehicle owner and will not be reused.
- 2) Raise side plates up to frame and secure each side plate at its forward most mounting hole. (Finger tighten only). Rearmost mounting hole must align with large slot in frame. Using middle hole in each side plate as a template, center mark, then remove side plates.
- 3) Drill holes into frame using a 17/32" drill at the center marked locations from Step #2.
- 4) Fishwire hardware into frame as shown in the exploded view and the two fishwire details, all shown on first page.
- 5) Raise side plates and tow hooks into position and bolt to frame using spacers, 1/2"-13, and M12 hardware. (Finger tighten only).
- 6) Assemble center hitch to side plates using 7/16" hardware as shown in exploded view on first page.

Torque M12 fasteners to 86 lb-ft., 1/2" fasteners to 110 lb-ft., and 7/16" fasteners to 70 lb-ft.

- 7) Installation complete.

PERIODICALLY CHECK THIS RECEIVER HITCH TO ENSURE THAT ALL FASTENERS ARE TIGHT AND THAT ALL STRUCTURAL COMPONENTS ARE SOUND.

2009 - CURRENT NISSAN TITAN

*****DO NOT EXCEED VEHICLE MANUFACTURER'S RECOMMENDED TOWING CAPACITY ***.**

FRONT MOUNTED ACCESSORIES

1) Do not exceed front axle Gross Weight Rating (GAWR). Consult owners manual or specification plate located on driver's door frame. Measure gross front axle weight by placing front wheels of loaded vehicle on a scale.

WARNING: Exceeding GAWR may overload the front axle and/or suspension. This could result in **accident, property damage and personal injury.**

- 2) Reposition front mounted license plate if obstructed.
- 3) Do not obstruct vehicle lights.
- 4) Allow free air flow into grille opening.
- 5) Rear wheel traction may be reduced. This could effect handling. Reduce speed and drive with caution.
- 6) Accessories extend front of vehicle. This may reduce approach angle. Use caution when parking and maneuvering.
- 7) Do not obstruct driver view.

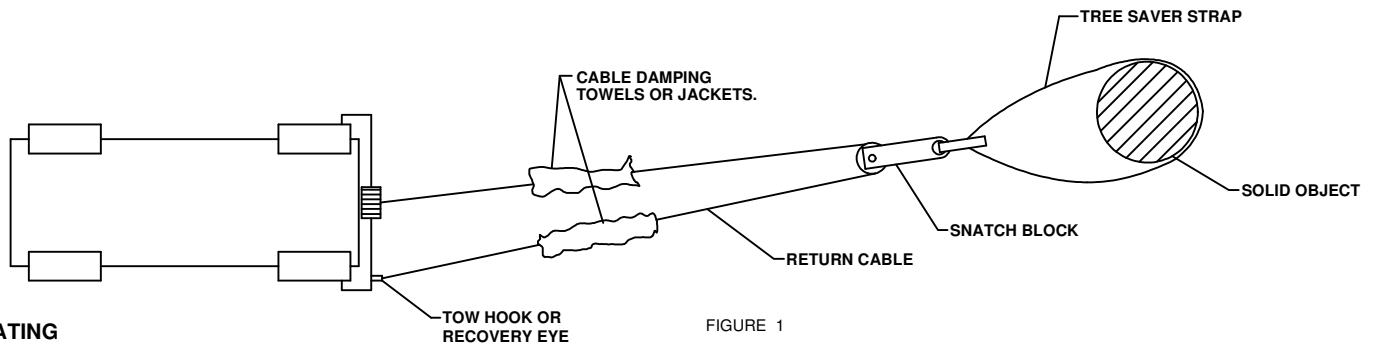
VEHICLE RECOVERY AND WINCHING TIPS

1) Use OEM tow hooks, recovery eyes or a clevis mount for attachment of a tow strap or winch cable.

WARNING: NEVER use a ball and/or ball mount as an anchor point for tow strap or winch cable. Severe personal injury or death could result.

- 2) Observe winch manufacturer's recommendations, cautions and warnings.
- 3) Attach return cable to tow hook or recovery eye when using a snatch block (See figure 1).

CAUTION: Do not attach return cable to winch mount. This may overload winch mount and/or front mounted receiver.



RATING

For **Maximum** line pull rating, winch cable must not exceed:
- 15 degree angle up or down from horizontal (See Figure 2).
- 45 degree angle left or right from straight ahead (See Figure 3).

CAUTION: Exceeding the maximum line pull rating may over load winch, winch mount, and/or front mounted receiver.

