



Sniper Fabricated Intake Manifold Kits (Carbureted & EFI versions) Installation Instruction Sheet

GM LS1/LS2/LS6	
820031	Hi-Rise Fabricated Intake Manifold LS1/LS2/LS6 92mm TB opening + Fuel Rail Kit Silver w/ Sniper logo
820032	Hi-Rise Fabricated Intake Manifold LS1/LS2/LS6 92mm TB opening + Fuel Rail Kit Black w/ Sniper logo
820041	Hi-Rise Fabricated Intake Manifold LS1/LS2/LS6 102mm TB opening + Fuel Rail Kit Silver w/ Sniper logo
820042	Hi-Rise Fabricated Intake Manifold LS1/LS2/LS6 102mm TB opening + Fuel Rail Kit Black w/ Sniper logo
820051	Hi-Rise Fabricated Intake Manifold LS1/LS2/LS6 Single Plane (1 x 4150 flange) EFI + Fuel Rail Kit Silver w/ Sniper EFI logo
820052	Hi-Rise Fabricated Intake Manifold LS1/LS2/LS6 Single Plane (1 x 4150 flange) EFI + Fuel Rail Kit Black w/ Sniper EFI logo
820061	Hi-Rise Fabricated Intake Manifold LS1/LS2/LS6 Single Plane (2 x 4150 flange) EFI + Fuel Rail Kit Silver w/ Sniper logo
820062	Hi-Rise Fabricated Intake Manifold LS1/LS2/LS6 Single Plane (2 x 4150 flange) EFI + Fuel Rail Kit Black w/ Sniper logo
820101	Fabricated Intake Manifold LS1/LS2/LS6 92mm TB opening + Fuel Rail Kit Silver w/ Sniper logo (Low Profile)
820102	Fabricated Intake Manifold LS1/LS2/LS6 92mm TB opening + Fuel Rail Kit Black w/ Sniper logo (Low Profile)
820111	Fabricated Intake Manifold LS1/LS2/LS6 102mm TB opening + Fuel Rail Kit Silver w/ Sniper logo (Low Profile)
820112	Fabricated Intake Manifold LS1/LS2/LS6 102mm TB opening + Fuel Rail Kit Black w/ Sniper logo (Low Profile)
821051	Hi-Rise Fabricated Intake Manifold LS1/LS2/LS6 Single Plane (1 x 4150 flange) Carbureted Silver w/ Sniper logo
821052	Hi-Rise Fabricated Intake Manifold LS1/LS2/LS6 Single Plane (1 x 4150 flange) Carbureted Black w/ Sniper logo
821061	Hi-Rise Fabricated Intake Manifold LS1/LS2/LS6 Single Plane (2 x 4150 flange) Carbureted Silver w/ Sniper logo
821062	Hi-Rise Fabricated Intake Manifold LS1/LS2/LS6 Single Plane (2 x 4150 flange) Carbureted Black w/ Sniper logo
832141	Hi-Rise Fabricated Intake Manifold 90mm TB Opening Race Series LS1/LS2/LS6 w/ removable top, TB spacer, and Fuel Rail kit Silver w/ Sniper EFI logo
832142	Hi-Rise Fabricated Intake Manifold 90mm TB opening Race Series LS1/LS2/LS6 w/ removable top, TB Spacer, and Fuel Rail kit Black w/ Sniper EFI logo
GM LS3/L92	
822031	Hi-Rise Fabricated Intake Manifold LS3/L92 92mm TB opening + Fuel Rail Kit Silver w/ Sniper logo
822032	Hi-Rise Fabricated Intake Manifold LS3/L92 92mm TB opening + Fuel Rail Kit Black w/ Sniper logo
822041	Hi-Rise Fabricated Intake Manifold LS3/L92 102mm TB opening + Fuel Rail Kit Silver w/ Sniper EFI logo
822042	Hi-Rise Fabricated Intake Manifold LS3/L92 102mm TB opening + Fuel Rail Kit Black w/ Sniper EFI logo
822051	Hi-Rise Fabricated Intake Manifold LS3/LS92 Single Plane (1 x 4150 flange) EFI + Fuel Rail Kit Silver w/ Sniper EFI logo
822052	Hi-Rise Fabricated Intake Manifold LS3/LS92 Single Plane (1 x 4150 flange) EFI + Fuel Rail Kit Black w/ Sniper EFI logo
822061	Hi-Rise Fabricated Intake Manifold LS3/LS92 Single Plane (2 x 4150 flange) EFI + Fuel Rail Kit Silver w/ Sniper EFI logo
822062	Hi-Rise Fabricated Intake Manifold LS3/LS92 Single Plane (2 x 4150 flange) EFI + Fuel Rail Kit Black w/ Sniper EFI logo
822101	Fabricated Intake Manifold LS3/L92 92mm TB opening + Fuel Rail Kit Silver w/ Sniper logo (Low Profile)
822102	Fabricated Intake Manifold LS3/L92 92mm TB opening + Fuel Rail Kit Black w/ Sniper logo (Low Profile)
822111	Fabricated Intake Manifold LS3/L92 102mm TB opening + Fuel Rail Kit Silver w/ Sniper EFI logo (Low Profile)
822112	Fabricated Intake Manifold LS3/L92 102mm TB opening + Fuel Rail Kit Black w/ Sniper EFI logo (Low Profile)
823051	Hi-Rise Fabricated Intake Manifold LS3/LS92 Single Plane (1 x 4150 flange) Carbureted Silver w/ Sniper logo
823052	Hi-Rise Fabricated Intake Manifold LS3/LS92 Single Plane (1 x 4150 flange) Carbureted Black w/ Sniper logo
823061	Hi-Rise Fabricated Intake Manifold LS3/LS92 Single Plane (2 x 4150 flange) Carbureted Silver w/ Sniper logo
823062	Hi-Rise Fabricated Intake Manifold LS3/LS92 Single Plane (2 x 4150 flange) Carbureted Black w/ Sniper logo
GM LS7	
830011	Hi-Rise Fabricated Intake Manifold LS7 Single Plane (1 x 4150 flange) EFI + Fuel Rail Kit Silver w/ Sniper EFI logo
830012	Hi-Rise Fabricated Intake Manifold LS7 Single Plane (1 x 4150 flange) EFI + Fuel Rail Kit Black w/ Sniper EFI logo
830031	Hi-Rise Fabricated Intake Manifold LS7 92mm TB opening + Fuel Rail Kit Silver w/ Sniper EFI logo
830032	Hi-Rise Fabricated Intake Manifold LS7 92mm TB opening + Fuel Rail Kit Black w/ Sniper EFI logo

830041	Hi-Rise Fabricated Intake Manifold LS7 102mm TB opening + Fuel Rail Kit Silver w/ Sniper EFI logo
830042	Hi-Rise Fabricated Intake Manifold LS7 102mm TB opening + Fuel Rail Kit Black w/ Sniper EFI logo
830071	Hi-Rise Fabricated Intake Manifold LS7 Single Plane (2 x 4150 flange) EFI + Fuel Rail Kit Silver w/ Sniper EFI logo
830072	Hi-Rise Fabricated Intake Manifold LS7 Single Plane (2 x 4150 flange) EFI + Fuel Rail Kit Black w/ Sniper EFI logo
830101	Fabricated Intake Manifold LS7 92mm TB opening + Fuel Rail Kit Silver w/ Sniper logo (Low Profile)
830102	Fabricated Intake Manifold LS7 92mm TB opening + Fuel Rail Kit Black w/ Sniper logo (Low Profile)
830111	Fabricated Intake Manifold LS7 102mm TB opening + Fuel Rail Kit Silver w/ Sniper logo (Low Profile)
830112	Fabricated Intake Manifold LS7 102mm TB opening + Fuel Rail Kit Black w/ Sniper logo (Low Profile)
831011	Hi-Rise Fabricated Intake Manifold LS7 Single Plane (1 x 4150 flange) Carbureted Silver w/ Sniper logo
831012	Hi-Rise Fabricated Intake Manifold LS7 Single Plane (1 x 4150 flange) Carbureted Black w/ Sniper logo
831071	Hi-Rise Fabricated Intake Manifold LS7 Single Plane (2 x 4150 flange) Carbureted Silver w/ Sniper logo
831072	Hi-Rise Fabricated Intake Manifold LS7 Single Plane (2 x 4150 flange) Carbureted Black w/ Sniper logo
Small Block Chevy (SBC)	
825011	Fabricated Intake Manifold SBC Single Plane (1 x 4150 flange) Carbureted Silver w/ Sniper logo
825012	Fabricated Intake Manifold SBC Single Plane (1 x 4150 flange) Carbureted Black w/ Sniper logo
825071	Fabricated Intake Manifold SBC Single Plane (2 x 4150 flange) Carbureted Silver w/ Sniper logo
825072	Fabricated Intake Manifold SBC Single Plane (2 x 4150 flange) Carbureted Black w/ Sniper logo
825121	Fabricated Intake Manifold SBC Single Plane Carbureted (1 x 4150 flange plate) Silver w/ Sniper logo
825122	Fabricated Intake Manifold SBC Single Plane Carbureted (1 x 4150 flange plate) Black w/ Sniper logo
825123	Fabricated Intake Manifold SBC Single Plane Carbureted (2 x 4150 flange plate) Silver w/ Sniper logo
825124	Fabricated Intake Manifold SBC Single Plane Carbureted (2 x 4150 flange plate) Black w/ Sniper logo
825131	Fabricated Intake Manifold SBC Single Plane Carbureted (1 x 4500 flange plate) Silver w/ Sniper logo
825132	Fabricated Intake Manifold SBC Single Plane Carbureted (1 x 4500 flange plate) Black w/ Sniper logo
825181	Fabricated Intake Manifold SBC Single Plane Carbureted (3 x 2300 flange plate) Silver w/ Sniper Logo
825182	Fabricated Intake Manifold SBC Single Plane Carbureted (3 x 2300 flange plate) Black w/ Sniper Logo
Big Block Chevy (BBC)	
835011	Fabricated Intake Manifold BBC Single Plane (1 x 4150 flange) Carbureted Silver w/ Sniper logo
835012	Fabricated Intake Manifold BBC Single Plane (1 x 4150 flange) Carbureted Black w/ Sniper logo
835061	Fabricated Intake Manifold BBC Single Plane (2 x 4150 flange) Carbureted Silver w/ Sniper logo
835062	Fabricated Intake Manifold BBC Single Plane (2 x 4150 flange) Carbureted Black w/ Sniper logo
835161	Fabricated Intake Manifold BBC Single Plane Carbureted (1 x 4500 flange plate) Silver w/ Sniper logo
835162	Fabricated Intake Manifold BBC Single Plane Carbureted (1 x 4500 flange plate) Black w/ Sniper logo
835171	Fabricated Intake Manifold BBC Single Plane Carbureted (2 x 4500 flange plate) Silver w/ Sniper logo
835172	Fabricated Intake Manifold BBC Single Plane Carbureted (2 x 4500 flange plate) Black w/ Sniper logo
Small Block Ford (SBF)	
827011	Fabricated Intake Manifold SBF Single Plane (1 x 4150 flange) Carbureted Silver w/ Sniper logo
827012	Fabricated Intake Manifold SBF Single Plane (1 x 4150 flange) Carbureted Black w/ Sniper logo
827071	Fabricated Intake Manifold SBF Single Plane (2 x 4150 flange) Carbureted Silver w/ Sniper logo
827072	Fabricated Intake Manifold SBF Single Plane (2 x 4150 flange) Carbureted Black w/ Sniper logo
05-10 Ford 4.6L 3v	
829081	Hi-Rise Fabricated Intake Manifold 2005-10 Ford 4.6L 3v 130mm TB opening + Fuel Rail Kit Black w/ Sniper EFI logo
829082	Hi-Rise Fabricated Intake Manifold 2005-10 Ford 4.6L 3v 130mm TB opening + Fuel Rail Kit Silver w/ Sniper EFI logo
828011	Hi-Rise Fabricated Intake Manifold 2005-10 Ford 4.6L 3v Single Plane (1 x 4150 flange) Carbureted Kit Silver w/ Sniper logo
828012	Hi-Rise Fabricated Intake Manifold 2005-10 Ford 4.6L 3v Single Plane (1 x 4150 flange) Carbureted Kit Black w/ Sniper logo
828021	Hi-Rise Fabricated Intake Manifold 2005-10 Ford 4.6L 3v Single Plane (2 x 4150 flange) Carbureted Silver w/ Sniper logo

828022	Hi-Rise Fabricated Intake Manifold 2005-10 Ford 4.6L 3v Single Plane (2 x 4150 flange) Carbureted Black w/ Sniper logo
828051	Hi-Rise Fabricated Intake Manifold 2005-10 Ford 4.6L 3v Single Plane (1 x 4150 flange) EFI + Fuel Rail Kit Silver w/ Sniper EFI logo
828052	Hi-Rise Fabricated Intake Manifold 2005-10 Ford 4.6L 3v Single Plane (1 x 4150 flange) EFI + Fuel Rail Kit Black w/ Sniper EFI logo
828071	Hi-Rise Fabricated Intake Manifold 2005-10 Ford 4.6L 3v Single Plane (2 x 4150 flange) EFI + Fuel Rail Kit Silver w/ Sniper EFI logo
828072	Hi-Rise Fabricated Intake Manifold 2005-10 Ford 4.6L 3v Single Plane (2 x 4150 flange) EFI + Fuel Rail Kit Black w/ Sniper EFI logo
11-14 Ford 5.0L 4v	
829011	Hi-Rise Fabricated Intake Manifold 2011-14 Ford 5.0L Coyote Single Plane (1 x 4150 flange) Carbureted Silver w/ Sniper logo
829012	Hi-Rise Fabricated Intake Manifold 2011-14 Ford 5.0L Coyote Single Plane (1 x 4150 flange) Carbureted Black w/ Sniper logo
829031	Hi-Rise Fabricated Intake Manifold 2011-14 Ford 5.0L Coyote 90mm TB opening + Fuel Rail Kit Silver w/ Sniper EFI logo
829032	Hi-Rise Fabricated Intake Manifold 2011-14 Ford 5.0L Coyote 90mm TB opening + Fuel Rail Kit Black w/ Sniper EFI logo
829051	Hi-Rise Fabricated Intake Manifold 2011-14 Ford 5.0L Coyote Single Plane (1 x 4150 flange) EFI + Fuel Rail Kit Silver w/ Sniper EFI logo
829052	Hi-Rise Fabricated Intake Manifold 2011-14 Ford 5.0L Coyote Single Plane (1 x 4150 flange) EFI + Fuel Rail Kit Black w/ Sniper EFI logo
829061	Hi-Rise Fabricated Intake Manifold 2011-14 Ford 5.0L Coyote Single Plane (2 x 4150) Carbureted Silver w/ Sniper logo
829062	Hi-Rise Fabricated Intake Manifold 2011-14 Ford 5.0L Coyote Single Plane (2 x 4150) Carbureted Black w/ Sniper logo
829071	Hi-Rise Fabricated Intake Manifold 2011-14 Ford 5.0L Coyote Single Plane (2 x 4150 flange) EFI + Fuel Rail Kit Silver w/ Sniper logo
829072	Hi-Rise Fabricated Intake Manifold 2011-14 Ford 5.0L Coyote Single Plane (2 x 4150 flange) EFI + Fuel Rail Kit Black w/ Sniper logo
833151	Hi-Rise Fabricated Intake Manifold 90mm Race Series 2011-14 Ford 5.0L Coyote w/ removable top +TB Spacer+ Fuel Rail kit Silver w/ Sniper EFI logo
833152	Hi-Rise Fabricated Intake Manifold 90mm Race Series 2011-14 Ford 5.0L Coyote w/ removable top +TB Spacer+ Fuel Rail kit Black w/ Sniper EFI logo

Installation Instructions

199R11214

(Before Installation, please read these instructions completely)

Applications:

Holley Sniper and Holley Sniper EFI manifold series are designed for GM LS Gen III and IV engines, Chevy Small Block, Chevy Big Block, Ford Small Block, Ford S197 Modular Motor, and Ford Coyote engines. There are LS Intake Manifolds available for each of the three GM OE LS cylinder head types, LS1/2/6 (cathedral port), LS3, and LS7. All of these intake manifolds are designed to work with OE or aftermarket cylinder heads as long as the head is configured with the intake flange bolt pattern and intake port opening locations matching the appropriate OS application, GM LS Gen III and IV engines, Chevy Small Block, Ford Small Block, Ford S197 Modular Motor, and Ford Coyote engines.

These Hi-Ram style intake manifolds are designed for high performance engine applications with maximum engine speeds of 7000-7500rpm (Carbureted) and 6800-7400rpm (Fuel Injected), depending on the engine combination. These manifolds are intended for maximum performance applications and will not accept stock components and hardware. A modified hood will be required for most vehicle applications.

Emissions Equipment:

Holley Sniper and Holley Sniper EFI manifolds do not accept any emission-control devices. This part is not legal for sale or use for motor vehicles with pollution-controlled equipment.

Installation Kit Contents:

- (8) O-Ring Port Gasket Kit
- Intake Manifold to Cylinder Head Mounting Kit (Includes Studs and Washers)
- (1) 1/4" NPT Hex Steel Pipe Plug
- (3) 3/8" NPT Hex Steel Pipe Plug
- Installation Instructions

Fuel Rail Kit Contents (EFI Manifolds):

- (2) Fuel Rail, High Volume, configured with (AN-8) ports
- Fuel Rail mounting hardware kit (consisting of Head Cap Screws, Washers, and Brackets)
- Steel braided cross-over fuel line, configured with (AN-8) fittings
- (4) Fuel Rail Fittings (AN-8)
- (1) Fuel Rail Block-off Plug (AN-8)

Installation Instructions:

Installation on Modified Engine Components-

Holley Sniper and Holley Sniper EFI intake manifolds are designed to provide maximum performance for racing engines, the intake manifold will have the best fitment when the engine block and cylinder heads are machined to standard OE dimensions. If the engine block or cylinder head deck surfaces have been milled significantly, the alignment of the mounting bolt holes and the port flange openings to the cylinder head may be shifted and not match-up satisfactorily. If your engine has had the cylinder head or engine block deck surfaces milled, the following steps may be necessary for proper intake manifold installation.

- The bolt holes in the intake manifold may have to be slotted to allow the fastener to properly pass through the manifold mounting holes.
- The mounting fasteners must be freely thread into the cylinder head while passing through the mounting holes or the manifold may not seat properly onto the cylinder head surfaces when the fasteners are tightened.
- As the O-ring grooves are located in the intake manifold mounting flanges, material may not be removed from the intake manifold mounting flanges without jeopardizing the sealing of the manifold. Any material removal required to align the port flange openings should be removed from the cylinder head, not the intake manifold,
- When port matching the intake manifold port openings to the cylinder head openings, care should be taken not to break into or damage the O-ring groove or O-ring seal will not be effective. The intake mounting surfaces on the cylinder heads should be in good condition, free of nicks or scratches, where the sealing O-rings will seat to ensure proper sealing.

Installation of the Intake Manifold-

1. Before installing the intake manifold base perform a test fit of the intake manifold without the O-rings or gaskets installed. Make sure that the mounting studs supplied can thread freely into the cylinder heads through the intake manifold mounting holes. The mounting flange should seat properly.
 - a. **NOTE:** All Ford 5.0L "Coyote" Platform Intakes arrive with a stabilizer bar fastened with two bolts on either side at the front and the rear of the intake, these must be removed as these are installed for stability during shipping and are NOT used/needed in the installation on the intake. Failure to remove bars will result in inability to install the intake.
2. Check the port opening alignment. Test fit fuel and vacuum plumbing, throttle linkage, wiring, etc. to ensure there are not any fit issues before performing the final intake manifold installation.
3. For final installation, install the eight (8) O-rings provided in the mounting flange O-ring grooves. To make sure the O-rings do not fall from the grooves, apply a light coat of grease to the O-rings.
4. Install the mounting studs into the cylinder heads. Apply engine oil to the threads and thread in the stud until all of the threads are engaged by hand.
5. Put the intake manifold into place on the mounting flange. Be sure that all of the O-rings are still in the grooves and are not being crushed between the flanges.

WARNING! Threads in the aluminum cylinder head will not withstand abuse. Care must be taken to have proper thread alignment engagement and to tighten the fasteners to the proper specifications.

6. Install the washers and bolts provided, engine oil should be applied to the threads. Gently tighten the bolts working side to side and out from the center (see the following tightening sequence diagram), until manifold is seated on the mounting flanges and the O-rings have been compressed. In two steps, tighten the mounting nuts first to 44 in-lbs. and then to 89 in-lbs. following the recommended factory bolt tightening sequence.

Manifold Tightening Sequence (GM LS1/2/3/6/7)

In two steps, tighten the mounting nuts first to 44 in-lbs. and then to 89 in-lbs. following the recommended factory bolt tightening sequence (shown below).

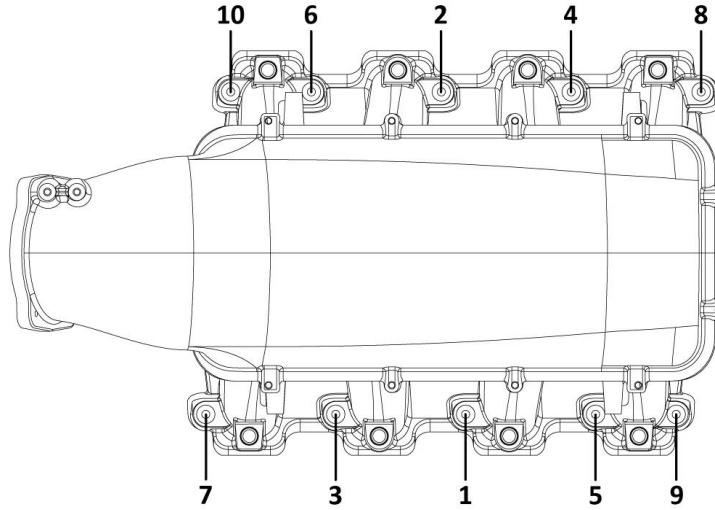


Figure 1

Manifold Tightening Sequence (05-10 Ford 4.6L Mod-Motor)

In two steps, tighten the mounting nuts first to 44 in-lbs. and then to 89 in-lbs. following the recommended factory bolt tightening sequence (shown below).

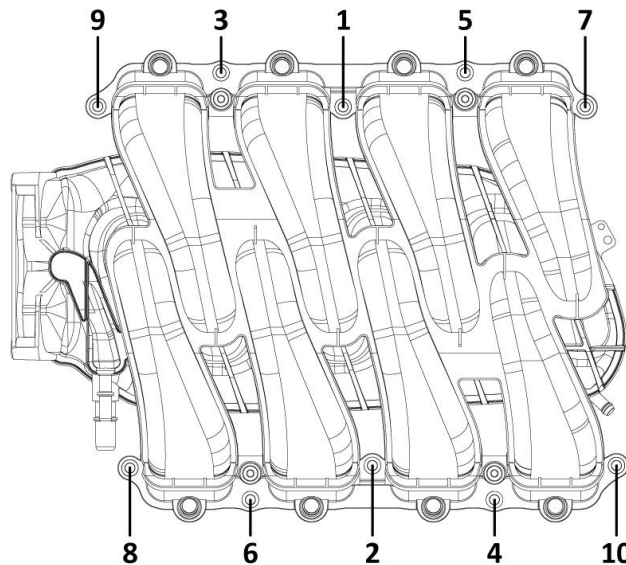


Figure 2

Manifold Tightening Sequence (11-15 Ford 5.0L Coyote)

In two steps, tighten the mounting nuts first to 44 in-lbs. and then to 89 in-lbs. following the recommended factory bolt tightening sequence (shown below).

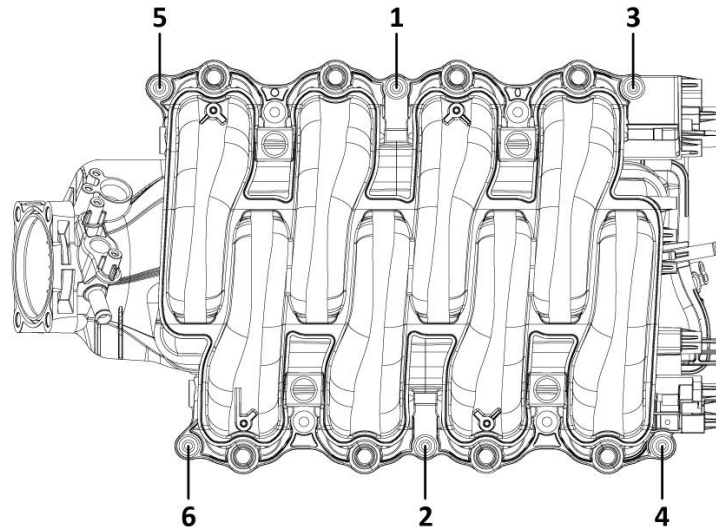


Figure 3

Manifold Tightening Sequence (Small Block Chevy)

In three steps, tighten the mounting bolts first to 10 ft./lbs., then to 15 ft./lbs., and finally to 25 ft./lbs. following the recommended factory bolt tightening sequence (shown below).

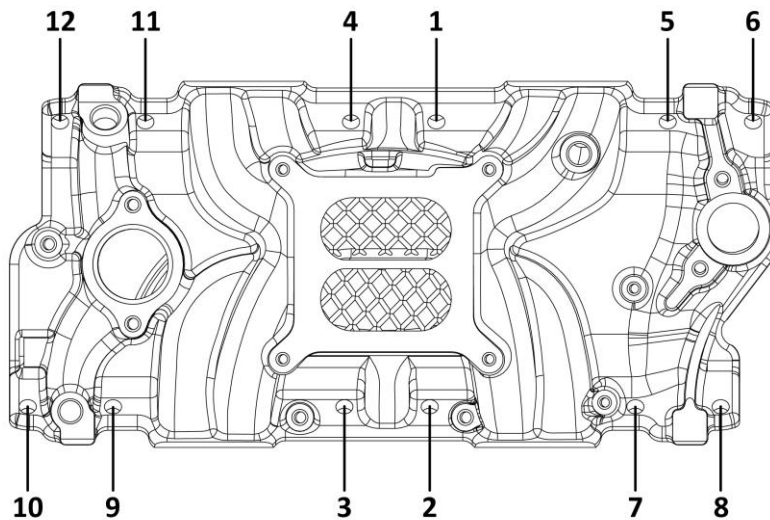


Figure 4

Manifold Tightening Sequence (Big Block Chevy)

In three steps, tighten the mounting bolts first to 10 ft./lbs., then to 15 ft./lbs., and finally to 25 ft./lbs. following the recommended factory bolt tightening sequence (shown below).

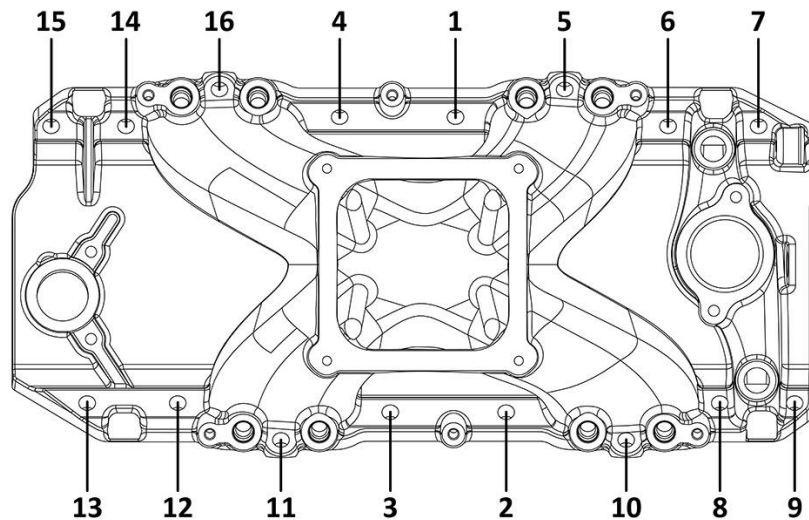


Figure 5

Manifold Tightening Sequence (Small Block Ford)

In three steps, tighten the mounting bolts first to 10 ft./lbs., then to 15 ft./lbs., and finally torque **ONLY THE INSIDE 8 BOLTS** to 25 ft./lbs. following the recommended factory bolt tightening sequence (shown below).

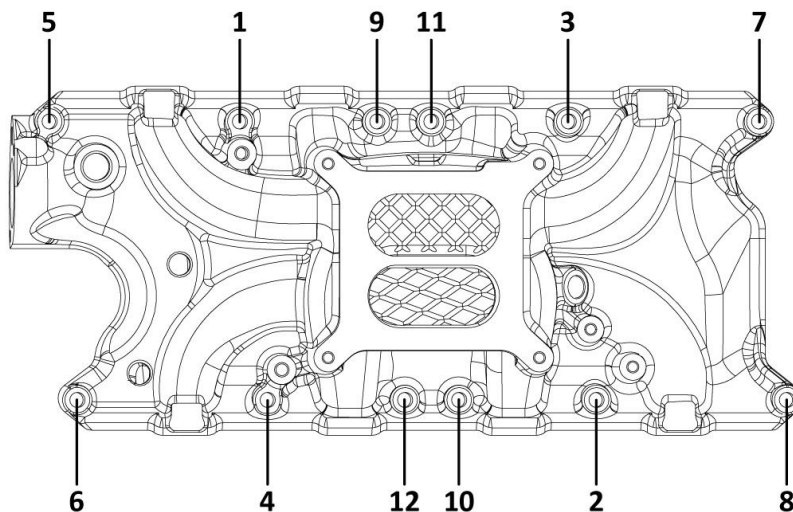


Figure 6

7. On the underside of the intake manifold plenum area, there is a flange with (4) holes tapped. (1) 1/4" NPT and (3) 3/8" NPT fittings are provided. These ports will provide ample vacuum port sources for both carbureted and EFI manifolds. Any of these ports can be utilized depending on required needs. Any unused ports can be easily plugged or NPT fitting can be capped for later use as needed.

Installation of the Fuel Rails (EFI Intakes Only) –

1. Apply a silicone lubricant to the O-ring on the inlet end of the fuel injectors and insert the fuel injectors into the ports in the fuel rail. To insert the injector without tearing the O-ring, gently rock the injector in the inlet of the port while applying pressure to insert the injector.

2. Position the (**EV1 style**) injectors to properly orient the wiring plugs, apply silicone lubricant to the injector outlet O-rings, and insert all four injectors into the injector bosses in the base intake manifold applying gentle downward pressure onto the fuel rail. The proper orientation for the fuel rails is with the Holley Sniper logo facing outward.
3. Once the injectors are inserted into the intake manifold, place the washers on the supplied socket head cap screws.
4. Apply a drop of oil to the socket head cap screws, place the spacers between the fuel rail and the mounting bosses, and thread in the socket head cap screws.
5. Tighten the fasteners in two steps – 44 in-lbs. for the first step and 89 in-lbs. for the second step.
6. Check and make sure the injector is floating on the O-ring. Rotate the injector back and forth to confirm that there is no load on the injector body.
7. The fuel rail is designed to provide enough flow and volume to dampen fuel pressure oscillations and variations at the inlet of the fuel injectors. The fuel rails are machined to receive the supplied (AN-8) fittings for the ends of the fuel rails and the supplied (AN-8) crossover braided hose with (AN-8) fittings on either end.

Plumbing Information/Tips:

- For engine power levels below 750HP, AN-6 (3/8") plumbing to and from the fuel rails should be sufficient.
- For power levels above 750HP, AN-8 (1/2") plumbing is recommended
- It is always recommended to only use tubular hose ends when a non-straight hose end is required.
- The best and recommended configuration for plumbing the fuel rails is to split from the supply line with a "Y" type distribution block or fitting, then feed into the inlet end of each fuel rail. The hoses from the exit end of each fuel rail would then feed into each inlet port of a fuel pressure regulator with two inlet ports or into another "Y" type distribution block or fitting connecting to a hose leading to the fuel pressure regulator.

Installation of the Carburetors or Throttle Bodies –

1. When installing Carburetor(s) or Throttle Body (s) and the connecting throttle linkage, check to be sure that all throttle levers and linkage components have adequate clearance from the intake manifold and plenum top.
2. The plenum tops for the (1 x 4150) and (2 x 4150) carburetor configurations do not have bosses for the mounting of throttle linkage. A bracket will need to be fabricated by the user for the particular linkage being used.
3. For all Holley Sniper EFI 92mm and 102mm throttle body mounting flanges, bosses on the side of the throttle body flange for the mounting of a throttle cable bracket. The bracket may need to be fabricated by the user for each individual throttle cable and throttle body application. It should be noted that the throttle body flange may work with a GM LS3 or Ford Coyote drive-by-wire throttle body.
4. **NOTE:** Some OEM Style Throttle Bodies for the Ford 2011-2014 5.0L "Coyote" platform may require the use of a Throttle Body Spacer (Sniper PN # **860003**) to allow full range of motion for throttle cable bracket.

Holley Sniper Service Parts/Accessories available separately:

Fuel Rail Kits:

- 850001** – GM LS1/2/6 Fuel Rail Kit, High Volume
- 850002** – GM LS3/L92 Fuel Rail Kit, High Volume
- 850003** – Ford 4.6L 3v Mod-Motor & 5.0L Coyote Fuel Rail Kit, High Volume
- 850004** – GM LS7 Fuel Rail Kit, High Volume
- 850005** – GM LS1/2/6 Fuel Rail Kit, High Volume (For OE Manifold)

Throttle Body Spacer:

- 860003** – Ford Coyote 5.0L Throttle Body Spacer
- 860013** – Ford Mod-Motor 4.6L 3-Valve Throttle Body Spacer

Throttle Body:

- 860001** – Throttle Body 92mm LS1/2/3/6/7, Silver Finish
- 860002** – Throttle Body 92mm LS1/2/3/6/7, Black Finish
- 860004** – Throttle Body 102mm LS1/2/3/6/7, Silver Finish
- 860005** – Throttle Body 102mm LS1/2/3/6/7, Black Finish
- 860006** – Throttle Body (Race Series) 90mm Ford 5.0L Coyote Silver Finish
- 860007** – Throttle Body (Race Series) 90mm Ford 5.0L Coyote, Black Finish
- 860008** – Throttle Body (Race Series) 90mm Ford 5.0L Coyote, Silver Finish
- 860009** – Throttle Body (Race Series) 90mm Ford 5.0L Coyote, Black Finish

TPS Sensor:

- 870001** – TPS Sensor for Sniper 90mm/92mm/102mm LS1/2/3/6/7 Throttle Bodies

IAC Sensor:

- 543-105** – Idle Air Control (IAC) Motor for Sniper Series Throttle Bodies

Holley Technical Support: 1-866-464-6553

199R11214

Revision Date: 1-4-17