



Installation Instructions

Receiver Rack (Part # 7700)

Universal Application

NOTE: Carefully read entire instructions thoroughly before attempting to install this part.

Parts Included	Qty
2 " Draw Bar	1
Racks	2
Curved Support Bars	2
Connecting Plates	2
(Large) 10mm x 75mm Bolt	3
(Medium) 10mm x 25mm Bolt	4
(Large) 10mm Flat Washer	7
(Large) 10mm Lock Nut	7
(Small) 6mm x 18mm Bolt	12
(Small) 6mm Flat Washer	12
(Small) 6mm Lock Nut	12

Tools Needed
Ratchet
Socket Set
Wrench Set



**CAUTION: Never exceed the tongue weight capacity of your hitch.
Never exceed the weight limit of the Receiver Rack (500 LB's evenly distributed).**

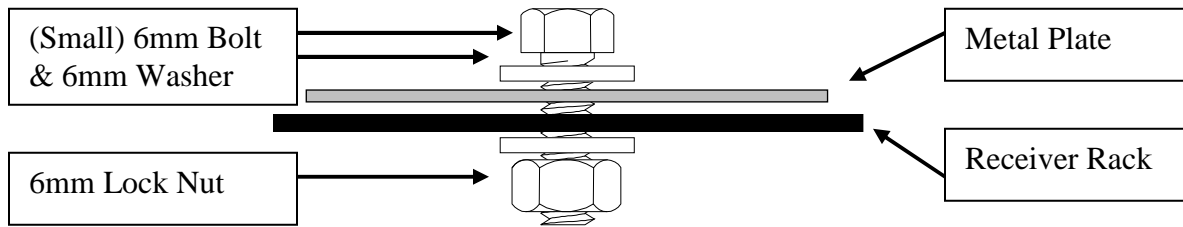




Installation Instructions

Receiver Rack (Part # 7700)
Universal Application

Step 1: Connect the two racks together by attaching the two plates to the outside of the racks using the (12) 6mm “Small” bolts, (12) 6mm flat washers and (12) 6mm lock nuts. (Fig 1)



(Figure 1)

Step 2: Tighten all bolts installed in Step1. Now locate the (3) holes down the center of the rack.

Step 3: Slide the drawbar under the rack and attach by inserting (1) “Large” 10mm x 75mm bolt, washer and lock nut into the center hole only. (Fig 2, 3)

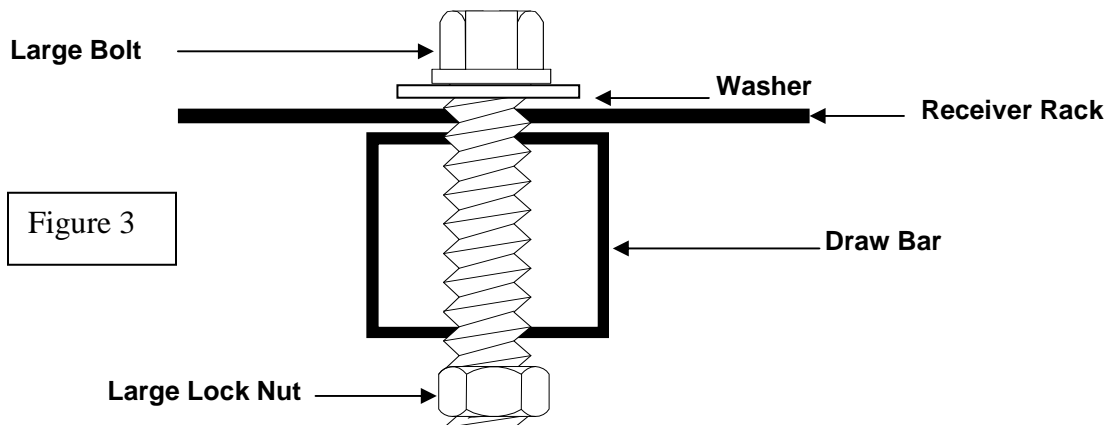
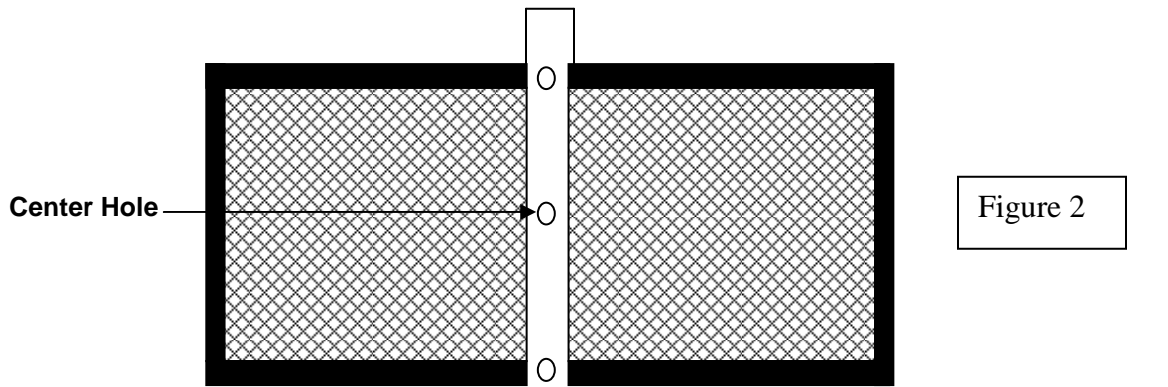


Figure 3



Installation Instructions

Receiver Rack (Part # 7700)
Universal Application

Step 4: Place the curved support bars on both sides under the drawbar. Insert the “Large” bolts through the remaining two outside holes through the rack, drawbar and the curved support bars. (Fig 4) Attach using the “Large” washers and nuts. Do not tighten completely at this time. (You may refer to Figure 3 for proper attachment.)

Step 5: Insert the “Medium” 10mm x 25mm bolt through the rack and ends of the curved support bar. Attach with “Large” washer and lock nut. Repeat this step at each location. (Fig 4)

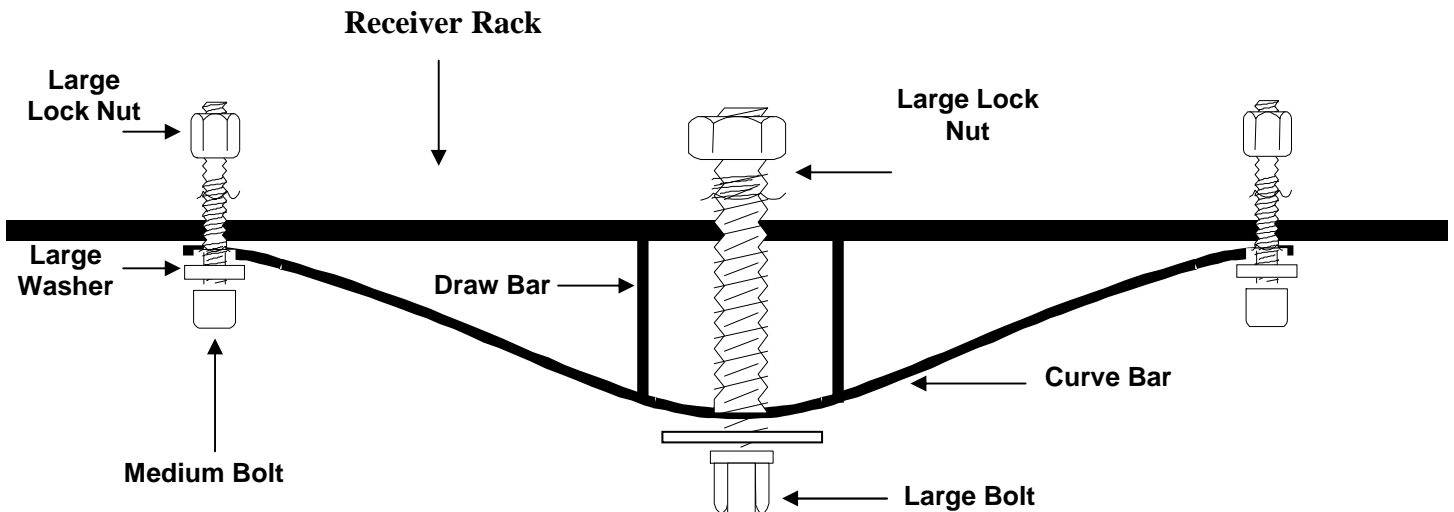


Figure 4

Step 6: Tighten all bolts at this time. Installation is now complete.



CAUTION: Ensure all Bolts and Nuts are secure and tightened prior to departure. Always secure your cargo with some type of tie down system to ensure that cargo does not fall off the Receiver Rack. Do not put valuables or any other items on the Receiver Rack that could be damaged by adverse weather or road debris.



Installation Instructions
Receiver Rack (Part # 7700)
Universal Application

Receiver Rack Installation

Step 1: Insert the Receiver Rack into the receiver hitch of the vehicle.

Step 2: Use a certified Hitch Pin and Clip (not included) to mount the Receiver Rack to your hitch receiver.
WARNING: You must secure the Receiver rack to the receiver hitch of your vehicle with a certified hitch pin and clip. Failure to do so may cause injury and damage to your vehicle, other vehicles and cargo.