



## Installation Instructions:

(Part # SB76793)

### SRC TJ Tubular Doors

**NOTE:** Carefully read entire instructions thoroughly before attempting to install this part.

Parts Included	Qty
93-8003 Driver Side Door	1
93-8008 Passenger Side Door	1
93-5682 Door Hinge	4
90-4242 Weather Stripping	2
90-5783 Limit Strap Bracket	2
90-6714 Hardware Pack: Tube Door	1
3/8" X 1" Stainless Steel Button Head Bolt	8
3/8" Flat Washer	20
3/8" Stover Nut	12
769401 Limit Strap	2

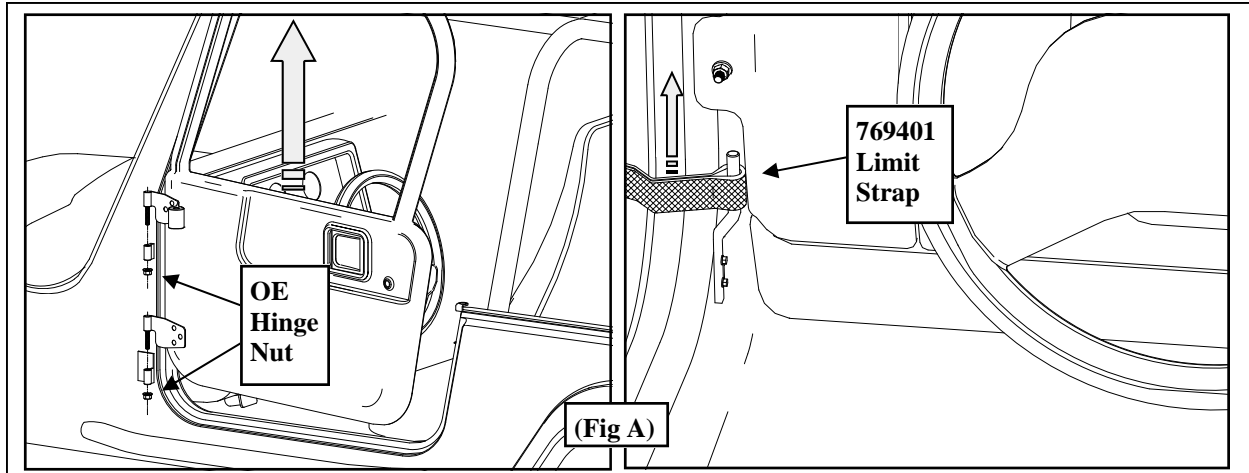
#### INSTALLATION:

**Step 1:** Starting on the driver side of the vehicle, remove the (2) OE door hinge retaining nuts. (Fig. A)

**Step 2:** Open the door and unhook the door limit strap from the mount inside the vehicle. (Fig. A)

**Step 3:** Carefully lift and remove the door from the vehicle.

**Step 4:** Install the supplied limit strap bracket (90-5783) onto the new limit strap (769401). (Fig. B)



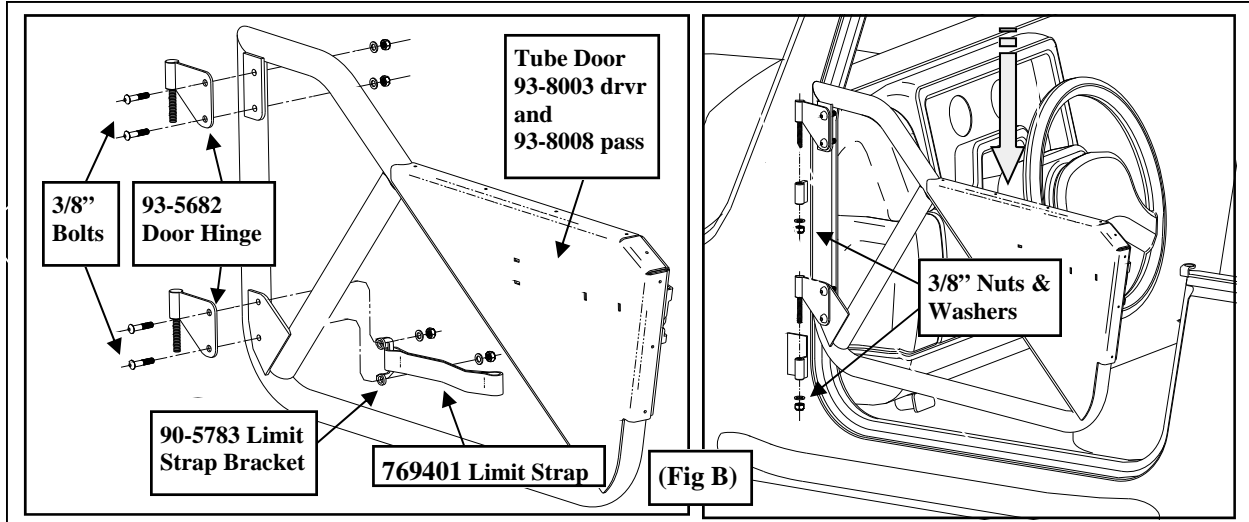


## Installation Instructions:

(Part # SB76793)

### SRC TJ Tubular Doors

**Step 5:** Attach the (2) door hinges (93-5682) to the new door (93-8003 and 93-8008) using the (4) supplied 3/8" X 1" stainless bolts and hardware. Install the limit strap (769401) and bracket (90-5783) to the lower hinge bolts as well. Leave the bolts snug only at this time. (Fig. B)



**Step 6:** Carefully install the door assembly onto the vehicle hinges. (Fig B)

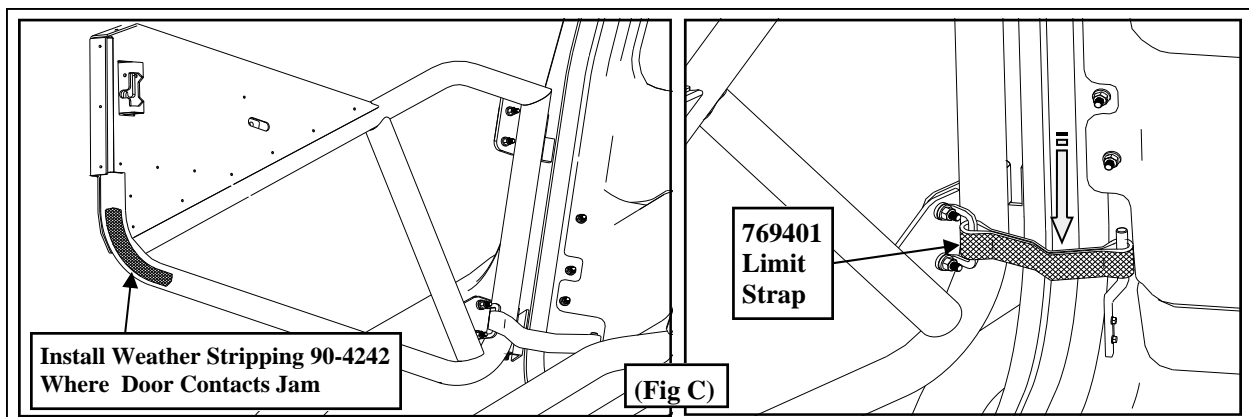
**Step 7:** Carefully close the door and latch it to the door striker. Adjust the door striker if the door won't close properly.

**Step 8:** Carefully adjust the (2) front door hinges to level the door on the vehicle. (Fig

B) **Step 9:** Once the door is adjusted properly torque the hardware according to the chart.

**Step 10:** Install the provided weather stripping onto the door where the door makes contact with the vehicle door jamb. (Fig. C)

**NOTE:** Failure to properly install the weather stripping may result in vibration or other noise.





# Installation Instructions:

(Part # SB76793)  
SRC TJ Tubular Doors

**Step 11:** Reinstall the new (769401) limit strap to the mount on the inside of the vehicle.  
(Fig. C)

**Step 12:** Repeat the previous steps on the remaining side of the vehicle.

**Step 13:** Installation is now complete.

Bolt Torque and ID						
Decimal System			Metric System			
All Torques in Ft. Lbs.						
Bolt Size	Grade 5	Grade 8	Bolt Size	Class 9.8	Class 10.9	Class 12.9
5/16	15	20	M6	5	9	12
3/8	30	45	M8	18	23	27
7/16	45	60	M10	32	45	50
1/2	65	90	M12	55	75	90
9/16	95	130	M14	85	120	145
5/8	135	175	M16	130	165	210
3/4	185	280	M18	170	240	290

<p>1/2-13x1.75 HHCS</p> <div style="display: flex; justify-content: space-around;"> <div style="border: 1px solid black; padding: 2px;">D</div> <div style="border: 1px solid black; padding: 2px;">T</div> <div style="border: 1px solid black; padding: 2px;">L</div> <div style="border: 1px solid black; padding: 2px;">X</div> </div>	<p>Grade 5    Grade 8</p> <p>(No. of Marks + 2)</p>
<p>G = Grade (Bolt Strength)</p> <p>D = Nominal Diameter (Inches)</p> <p>T = Thread Count (Threads per Inch)</p> <p>L = Length (Inches)</p> <p>X = Description (Hex Head Cap Screw)</p>	<p>M12-1.25x50 HHCS</p> <div style="display: flex; justify-content: space-around;"> <div style="border: 1px solid black; padding: 2px;">D</div> <div style="border: 1px solid black; padding: 2px;">T</div> <div style="border: 1px solid black; padding: 2px;">L</div> <div style="border: 1px solid black; padding: 2px;">X</div> </div> <p>P = Property Class (Bolt Strength)</p> <p>D = Nominal Diameter (Millimeters)</p> <p>T = Thread Pitch (Thread Width, mm)</p> <p>L = Length (Millimeters)</p> <p>X = Description (Hex Head Cap Screw)</p>